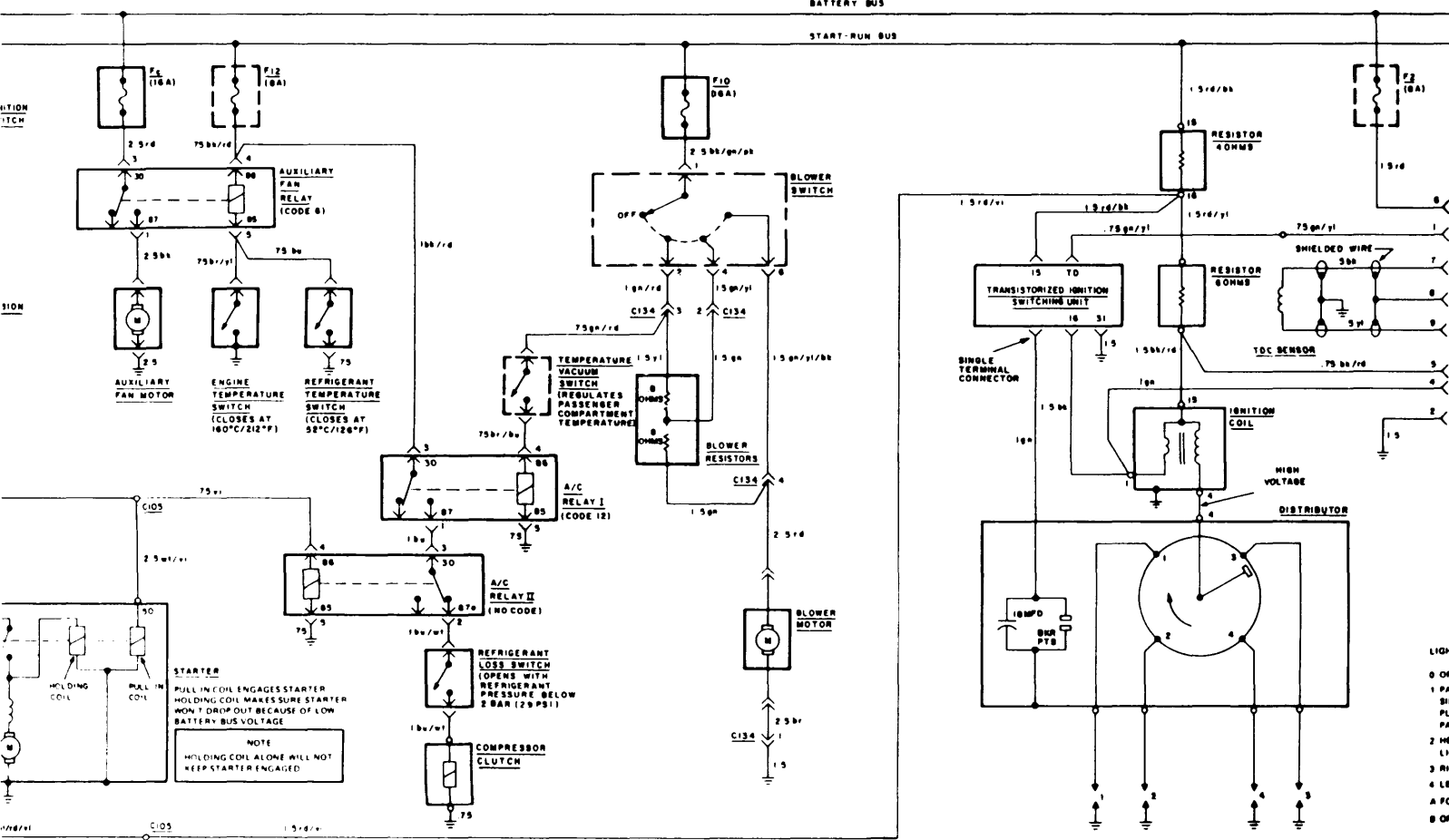


BATTERY BUS

START-RUN BUS



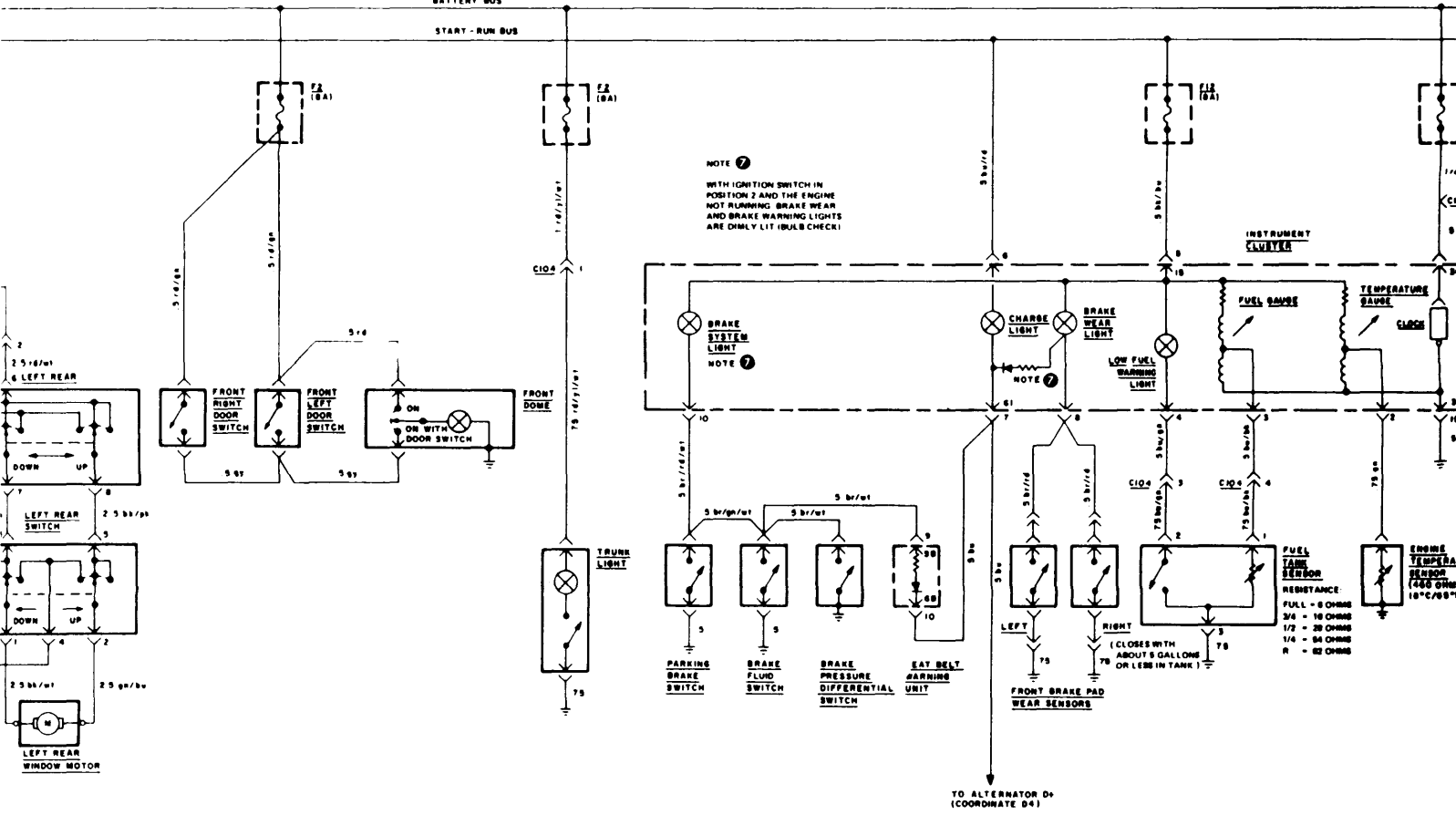
7 8 9 10 11 12

FRONT DOME

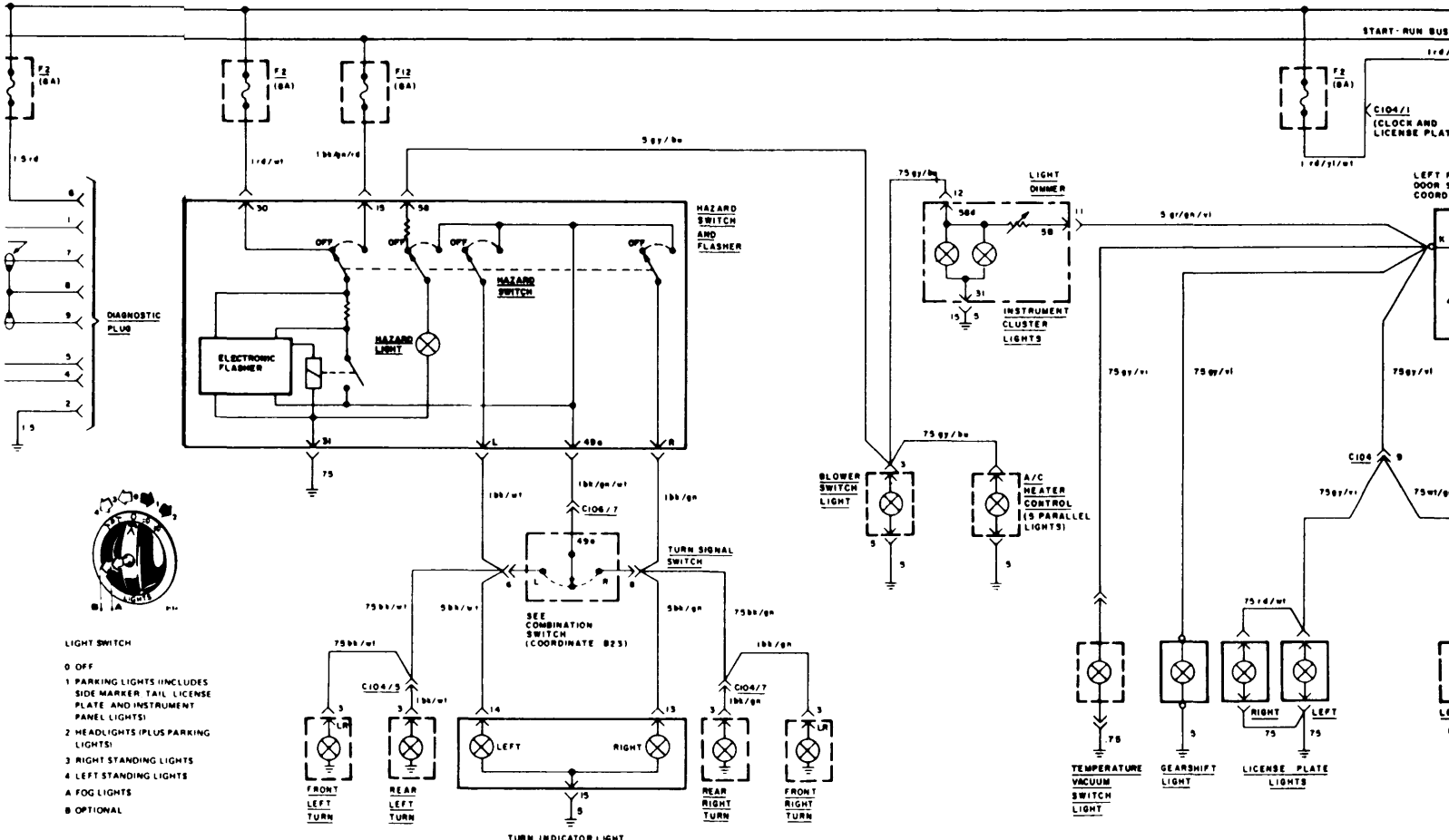
INSTRUMENT CLUSTER

BATTERY BUS

START-RUN BUS



TO ALTERNATOR D+ (COORDINATE D4)



- DIAGNOSTIC PLUG**
- 1 5  
2 4  
3 5  
4 4  
5 5  
6 1  
7 1  
8 1  
9 1
- LIGHT SWITCH**
- 0 OFF
  - 1 PARKING LIGHTS (INCLUDES SIDE MARKER, TAIL, LICENSE PLATE AND INSTRUMENT PANEL LIGHTS)
  - 2 HEADLIGHTS (PLUS PARKING LIGHTS)
  - 3 RIGHT STANDING LIGHTS
  - 4 LEFT STANDING LIGHTS
  - A FOG LIGHTS
  - B OPTIONAL



**COMPONENT INDEX**

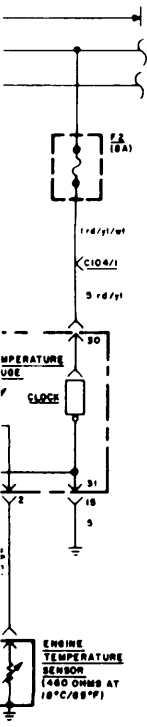
SYSTEM / COMPONENT	LOCATION ON VEHICLE	LOC FIG NO	TERM FIG NO	SYSTEM / COMPONENT	LOCATION ON VEHICLE	LOC FIG NO	TERM FIG NO
<b>CHARGE/START</b> A/C starter relay - code 12 Cold start valve	Relay box RH side of mixture regulator assembly						
Fuel pump relay - code 21 Sensor plate safety switch Thermo time switch Warmup regulator	Relay box Behind carburetor Engine compartment LH side, under manifold						
<b>ELECTRIC WINDOW</b> Window relay	Behind instrument panel	1					
<b>IGNITION</b> Ignition coil Transistorized ignition switch unit	Next to transistorized ignition Front left of engine compartment	12 12					
<b>INSTRUMENT CLUSTER</b> Engine temperature sensor	Engine compartment	10					
<b>SEAT BELT WARNING</b> Seat belt warning unit	Under dash, driver's side	2					
<b>TURN SIGNAL AND FLASHER</b> Hazard switch and flasher	Between front seats						
<b>AIR CONDITIONING - HEATER</b> A/C relay I - code 12 A/C relay II - no code Auxiliary fan relay - code 6 Blower resistors Engine temperature switch Refrigerant loss switch Refrigerant temperature switch Temperature vacuum switch	In relay box In relay box In relay box In plenum chamber RH side of engine On receiver/drier ON receiver/drier On console	6 6 6 7 9 8 8 5					
<b>CRUISE CONTROL</b> Cruise control actuator Cruise control amplifier Speed sensor	LH side of engine compartment Above brake pedal Back of speedometer	3 2 4					
<b>DIAGNOSTIC PLUG</b> Top dead center sensor	LH side of engine compartment RH front of engine	12 11					

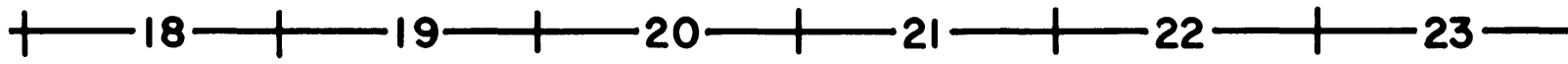
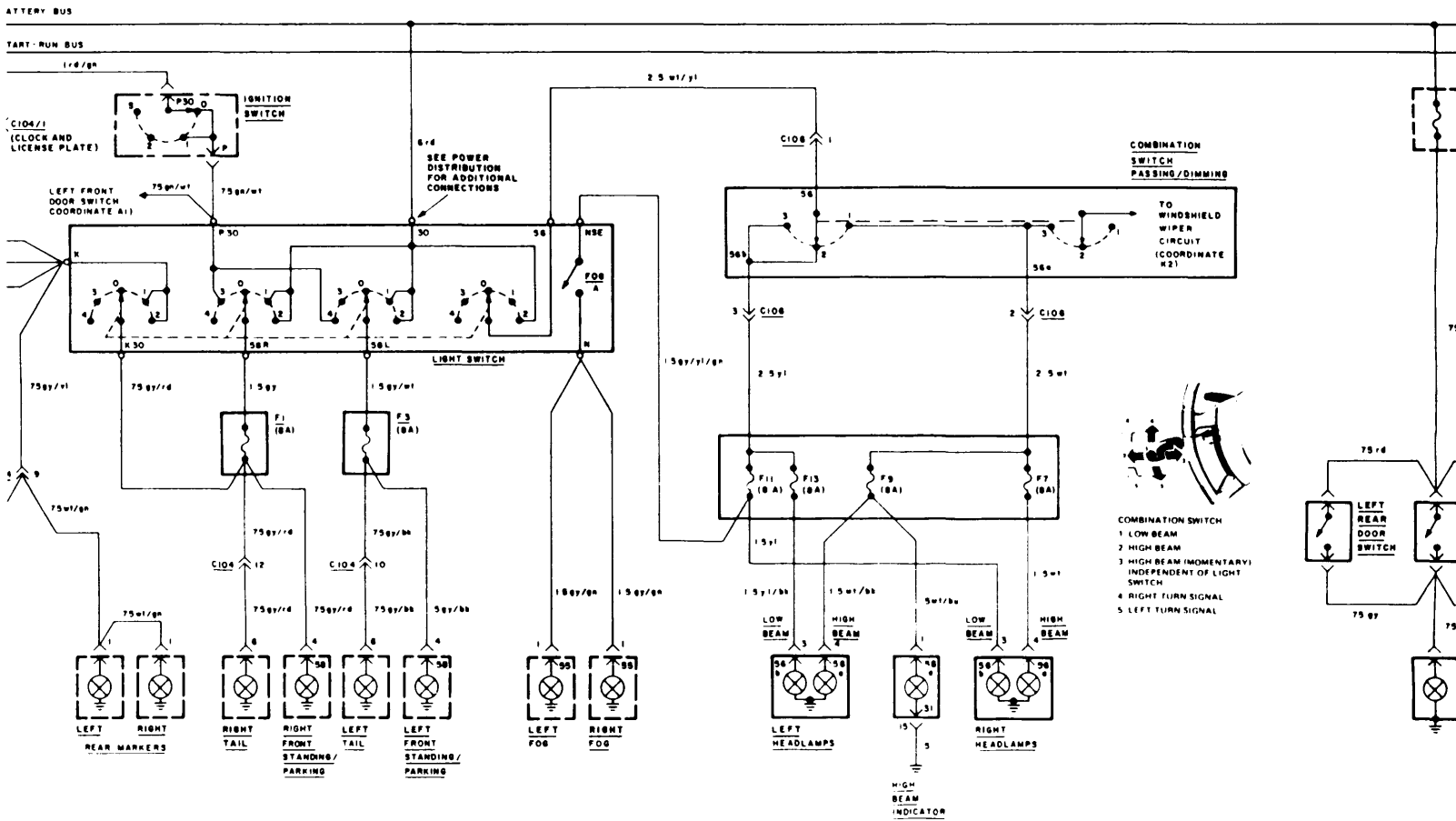


1 - Electric window  
2 - Heated rear window  
3 - Interval wipe



1 - Seat belt warning  
2 - Cruise control  
3 - C 106  
4 - C 104





LOCATION FIGURES



Fig 1  
1 - Electric window relay  
2 - Heated rear window delay relay  
3 - Interval wipe control



Fig 3  
1 - Cruise control actuator

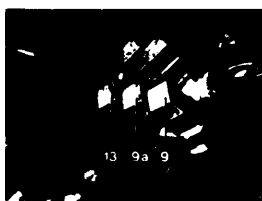


Fig 6  
9 - A/C relay I - code 12  
9a - A/C relay II - no code  
13 - Auxiliary fan relay - code 6



Fig 9  
1 - Engine temperature switch (100°C/212°F)



Fig 7  
1 - Seat belt warning unit  
2 - Cruise control amplifier  
3 - C-106  
4 - C-104

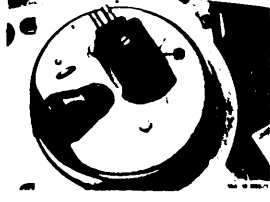


Fig 4  
3 - Speed sensor

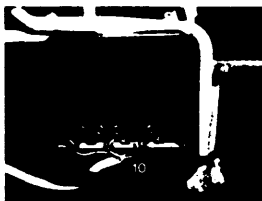


Fig 7  
10 - Blower resistors



Fig 10  
1 - Engine temperature sensor

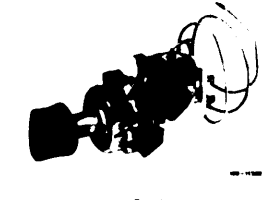


Fig 5  
Temperature vacuum switch

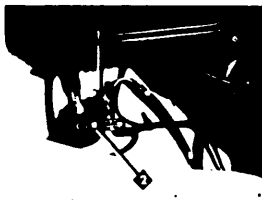
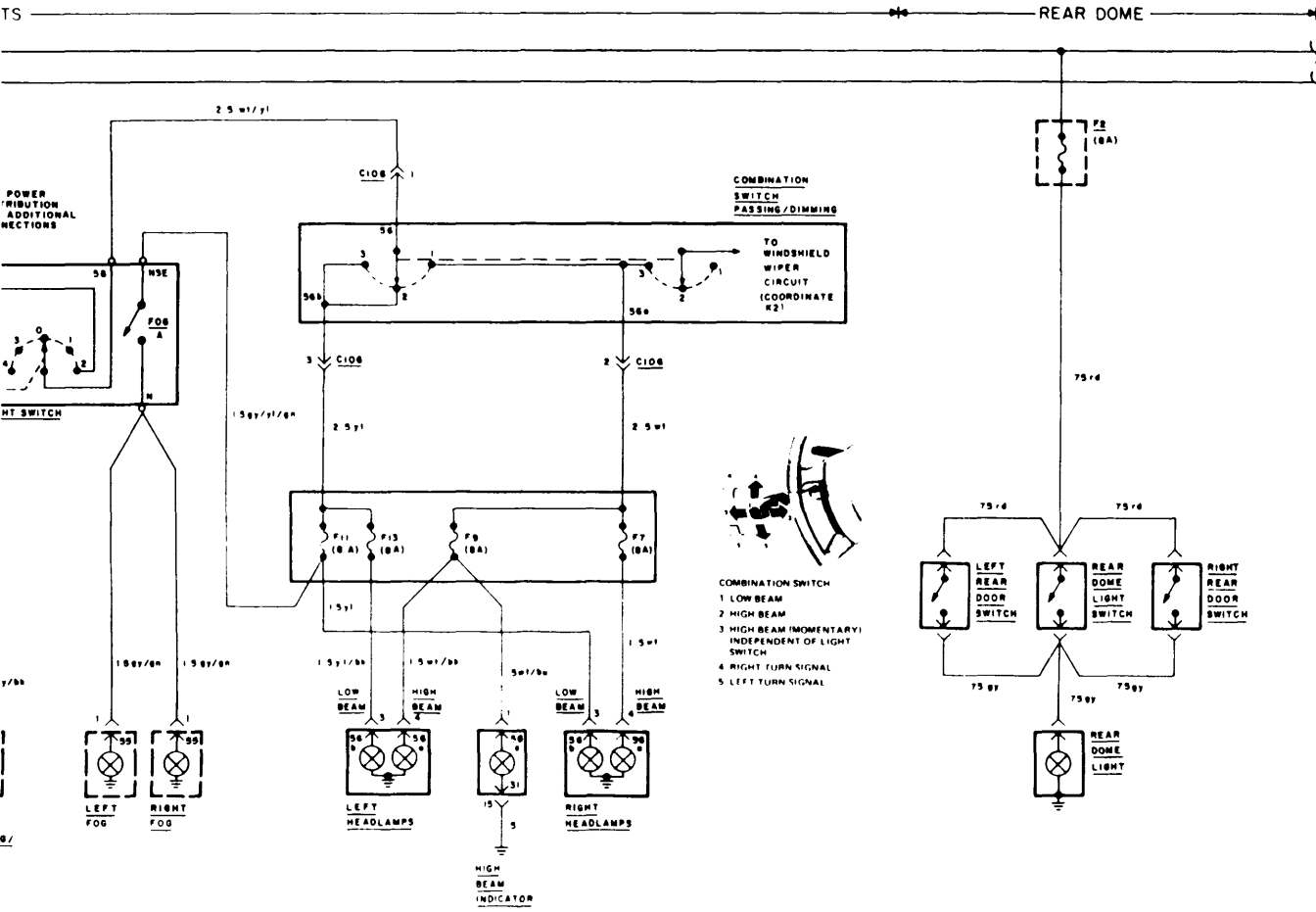


Fig 8  
1 - Refrigerant loss switch  
2 - Refrigerant temperature switch



Fig 11  
Top dead center sensor

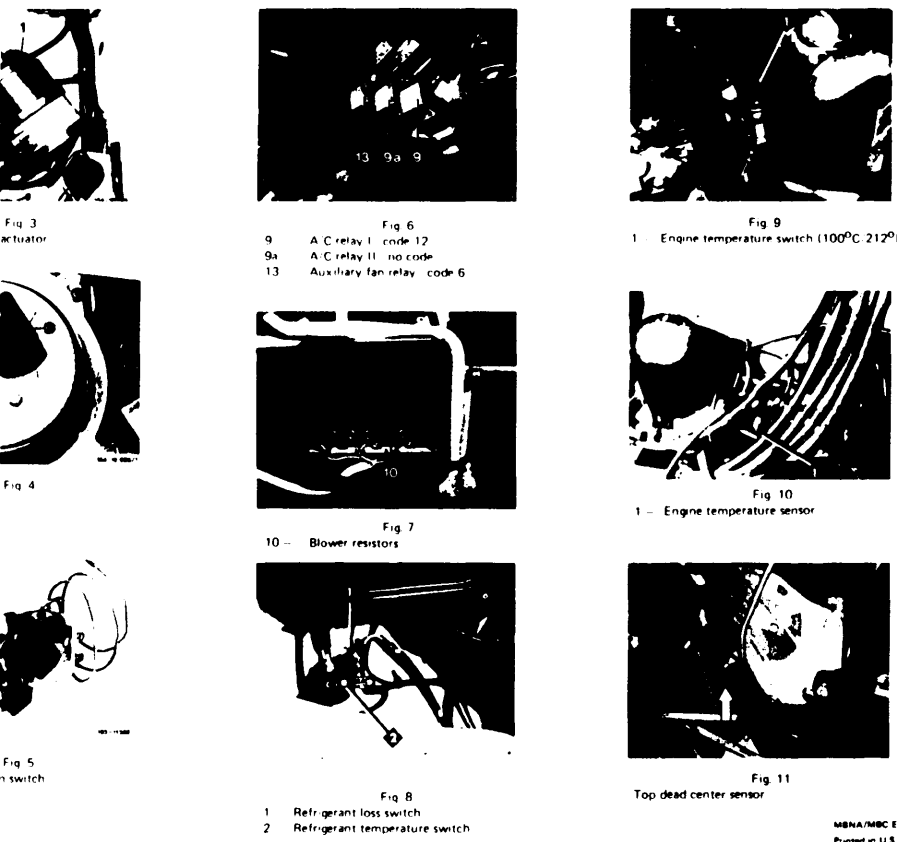
- AIR CONDITIONER
- AUXILIARY FAN
- CHARGE
- CIGAR LIGHTER
- CLOCK
- COOLANT TEMPERATURE
- CRUISE CONTROL
- DIAGNOSTIC PLUG
- ELECTRIC WINDOW
- EMISSION CONTROL
- FUEL GAUGE
- HEATED REAR WINDOW
- HEATED SEATS
- HEATER
- HORN
- IGNITION SYSTEM
- KICKDOWN SOLENOID
- LIGHT CIRCUITS
- AIR CONDITIONER
- ASH TRAY
- BACKUP
- BRAKE
- BRAKE SYSTEM
- BRAKE WEAR
- DOME (FRONT)
- DOME (REAR)
- FOG
- GLOVE BOX
- HEAD
- INSTRUMENT CLUSTER
- LOW FUEL WARNING
- MARKER
- PARKING
- STANDING
- TAIL
- TRUNK
- POWER RADIO ANTENNA
- RADIO
- SEAT BELT WARNING
- SLIDING ROOF
- START
- TURN SIGNAL/HAZARD
- WINDSHIELD WIPER
- POWER BUS DETECTOR
- SPECIAL GROUND



A  
B  
C  
D

20 21 22 23 24

LOCATION FIGURES



9 A: C relay 1 code 12  
9a A: C relay 11 no code  
13 Auxiliary fan relay code 6

10 - Blower resistors

1 Refrigerant loss switch  
2 Refrigerant temperature switch

1 - Engine temperature switch (100°C/212°F)

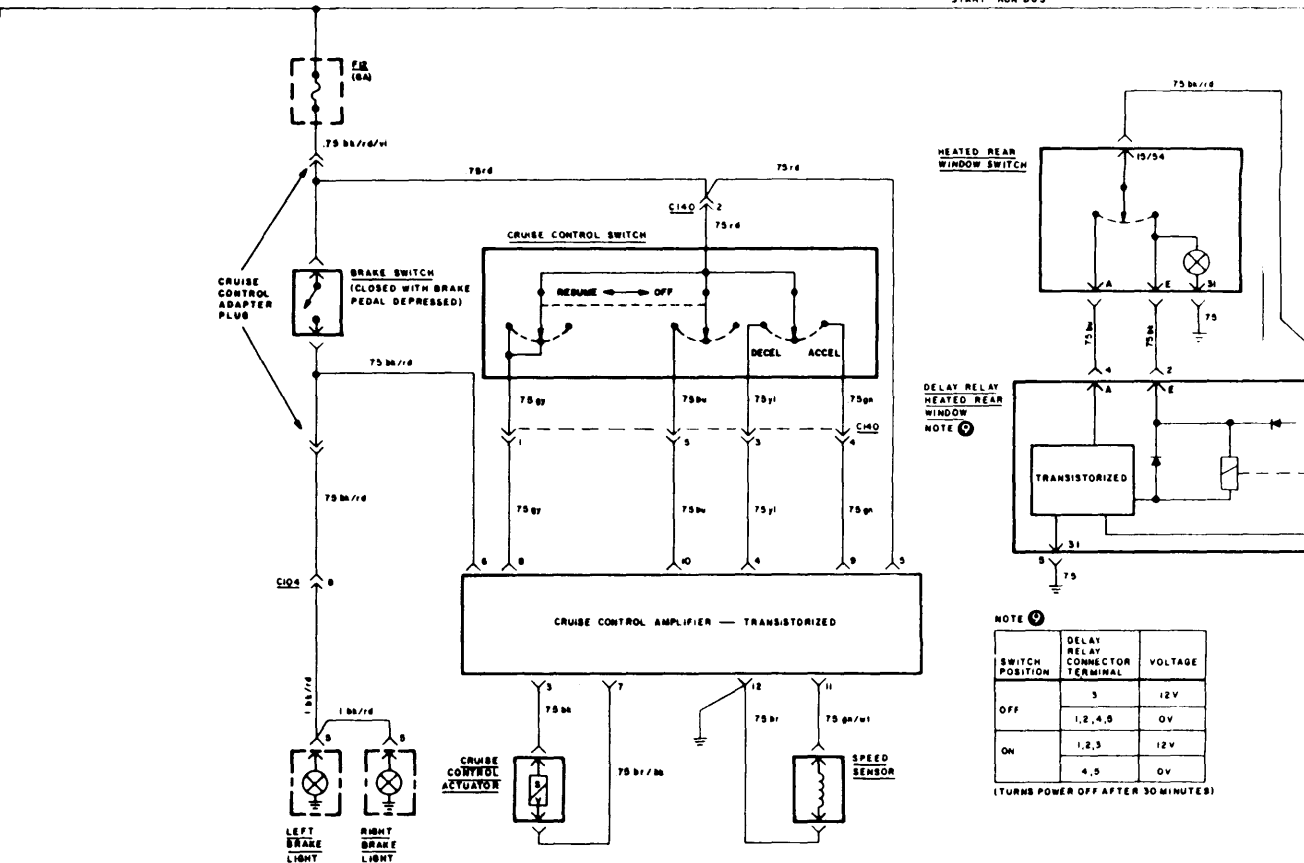
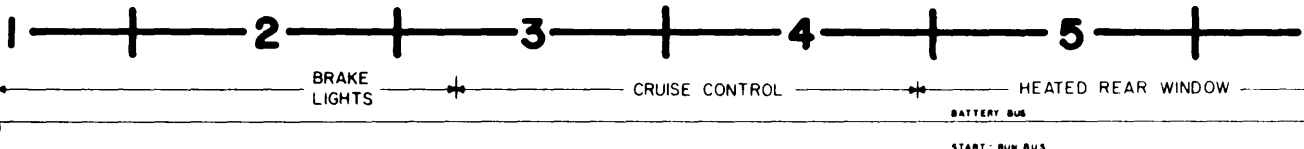
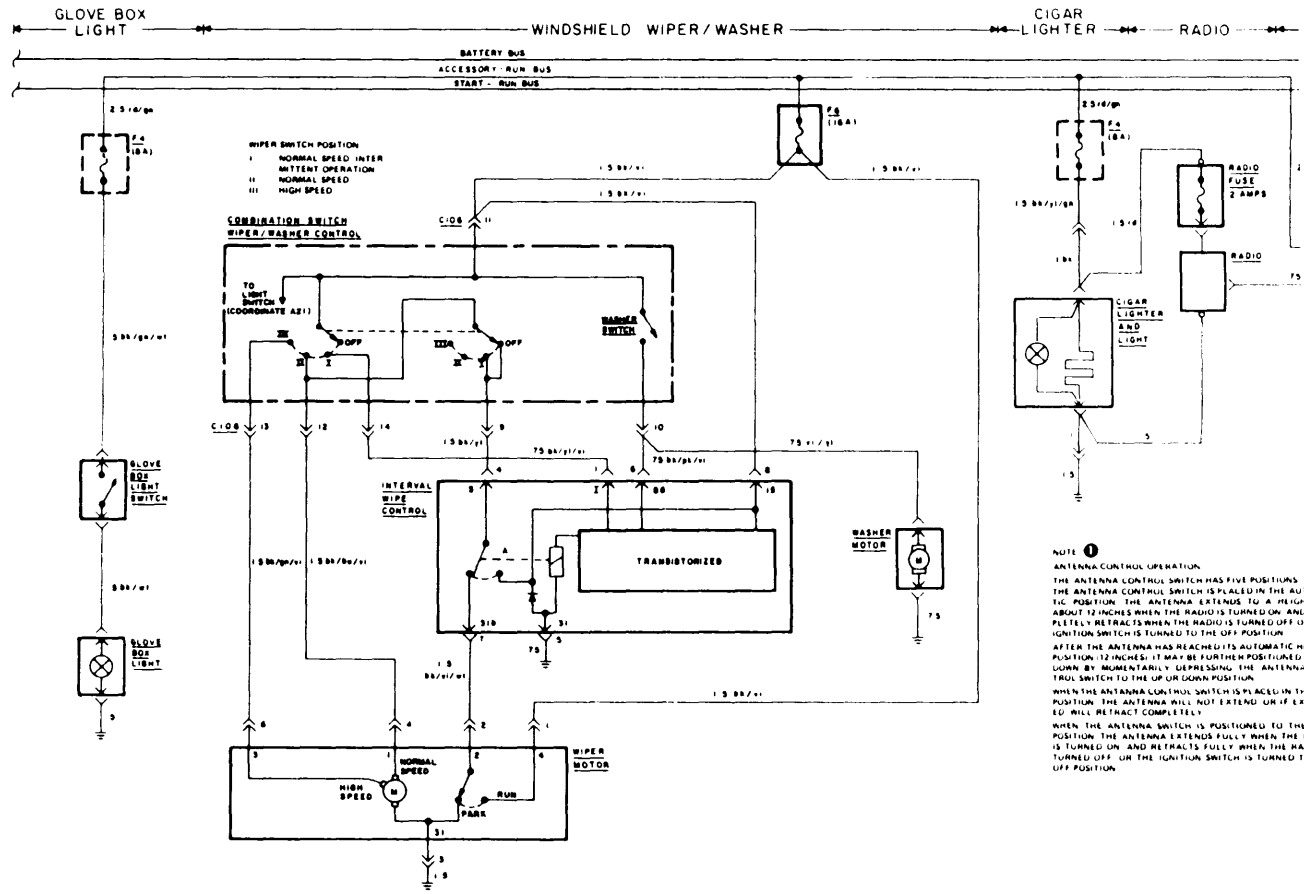
1 - Engine temperature sensor

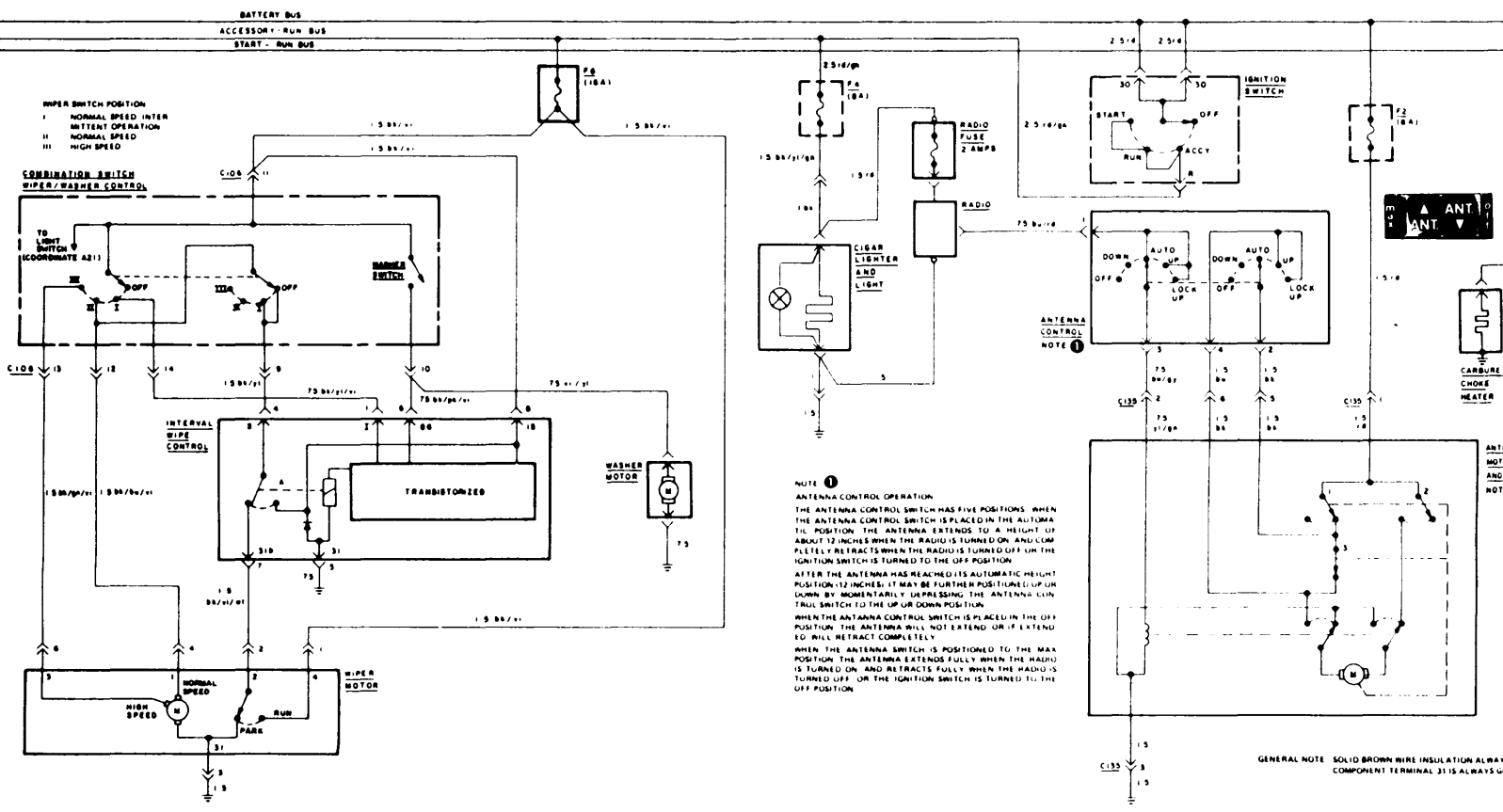
Top dead center sensor

1977 230

AIR CONDITIONER	A7
AUXILIARY FAN	B7
CHARGE	D4
CIGAR LIGHTER	J5
CLOCK	F12
COOLANT TEMPERATURE GAUGE	F12
CRUISE CONTROL	N3
DIAGNOSTIC PLUG	B12
ELECTRIC WINDOW	E4
EMISSION CONTROL	J9
FUEL GAUGE	F11
HEATED REAR WINDOW	N5
HEATED SEATS	N10
HEATER	A8
HORN	A4
IGNITION SYSTEM	A11
KICKDOWN SOLENOID	N6
LIGHT CIRCUITS	
AIR CONDITIONING	C16
ASH TRAY	K5
BACKUP	S7
BRAKE	S2
BRAKE SYSTEM WARNING	F9
BRAKE WEAR	F11
DOME (FRONT)	G8
DOME (REAR)	D23
FOG	D20
GLOVE BOX	J1
HEAD	D21
INSTRUMENT CLUSTER	F11
LOW FUEL WARNING	F11
MARKER	D18
PARKING	D19
STANDING	D19
TAIL	D18
TRUNK	G8
POWER RADIO ANTENNA	J8
RADIO	J6
SEAT BELT WARNING	A1
SLIDING ROOF	E1
START	A5
TURN SIGNAL/HAZARD FLASHER	A13
WINDSHIELD WIPER/WASHER	J3
POWER BUS DETAILS	J11
SPECIAL GROUNDING CIRCUITS	J13

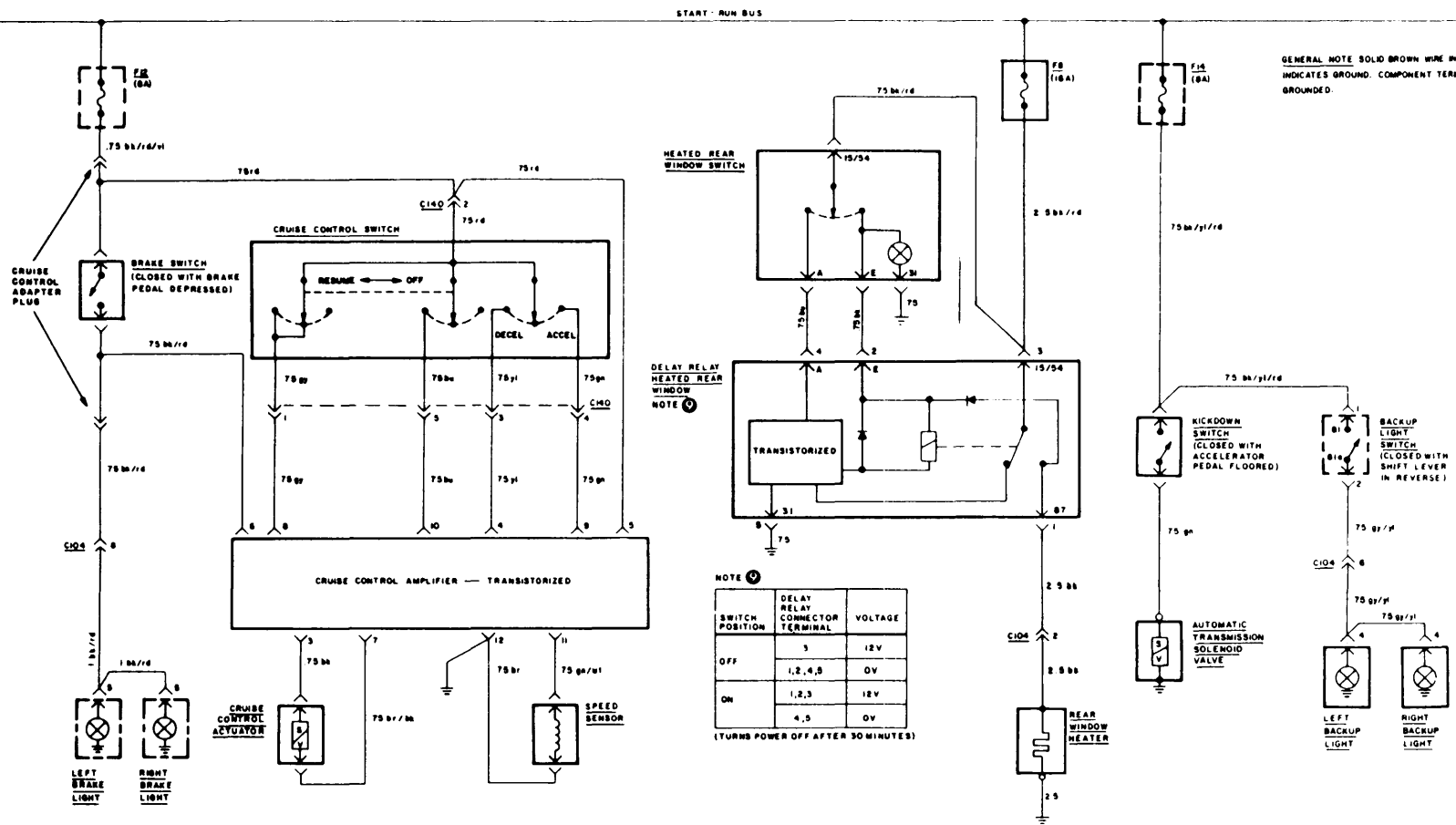
J  
K  
L  
M  
N  
P  
R  
S

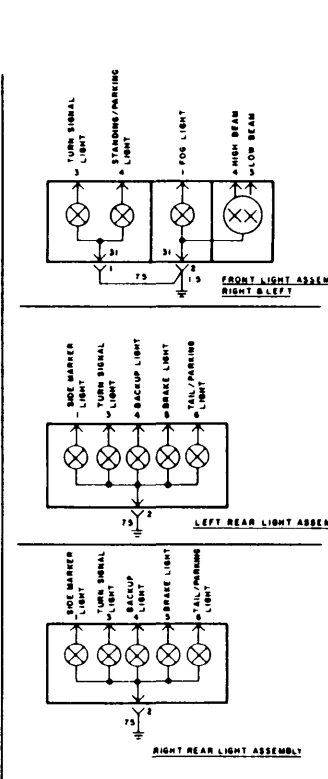
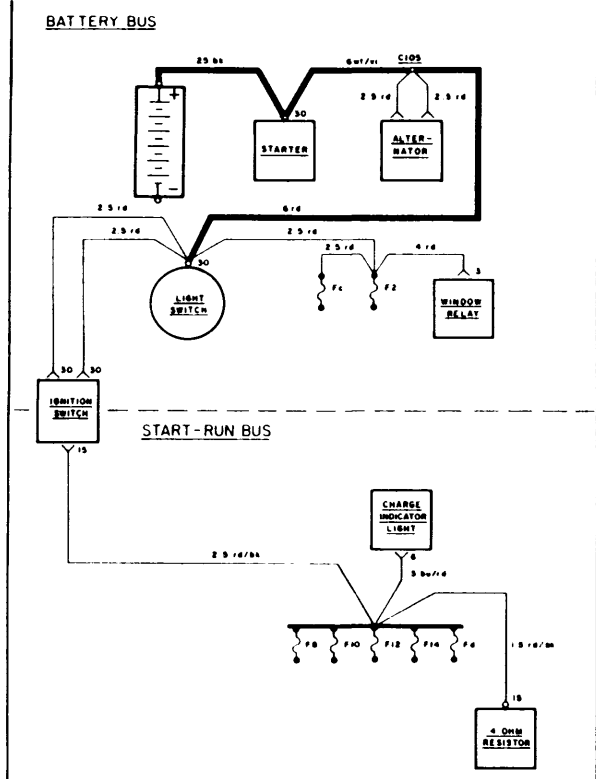
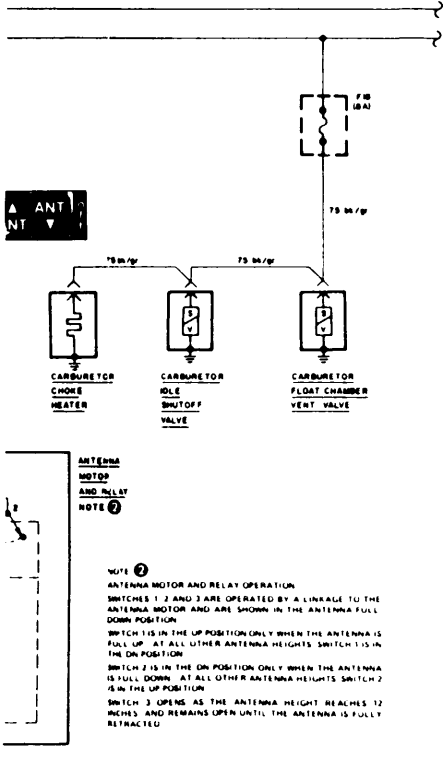




2 | 3 | 4 | 5 | 6 | 7

2 BRAKE LIGHTS 3 CRUISE CONTROL 4 HEATED REAR WINDOW 5 KICKDOWN SOLENOID 6 BACKUP LIGHTS

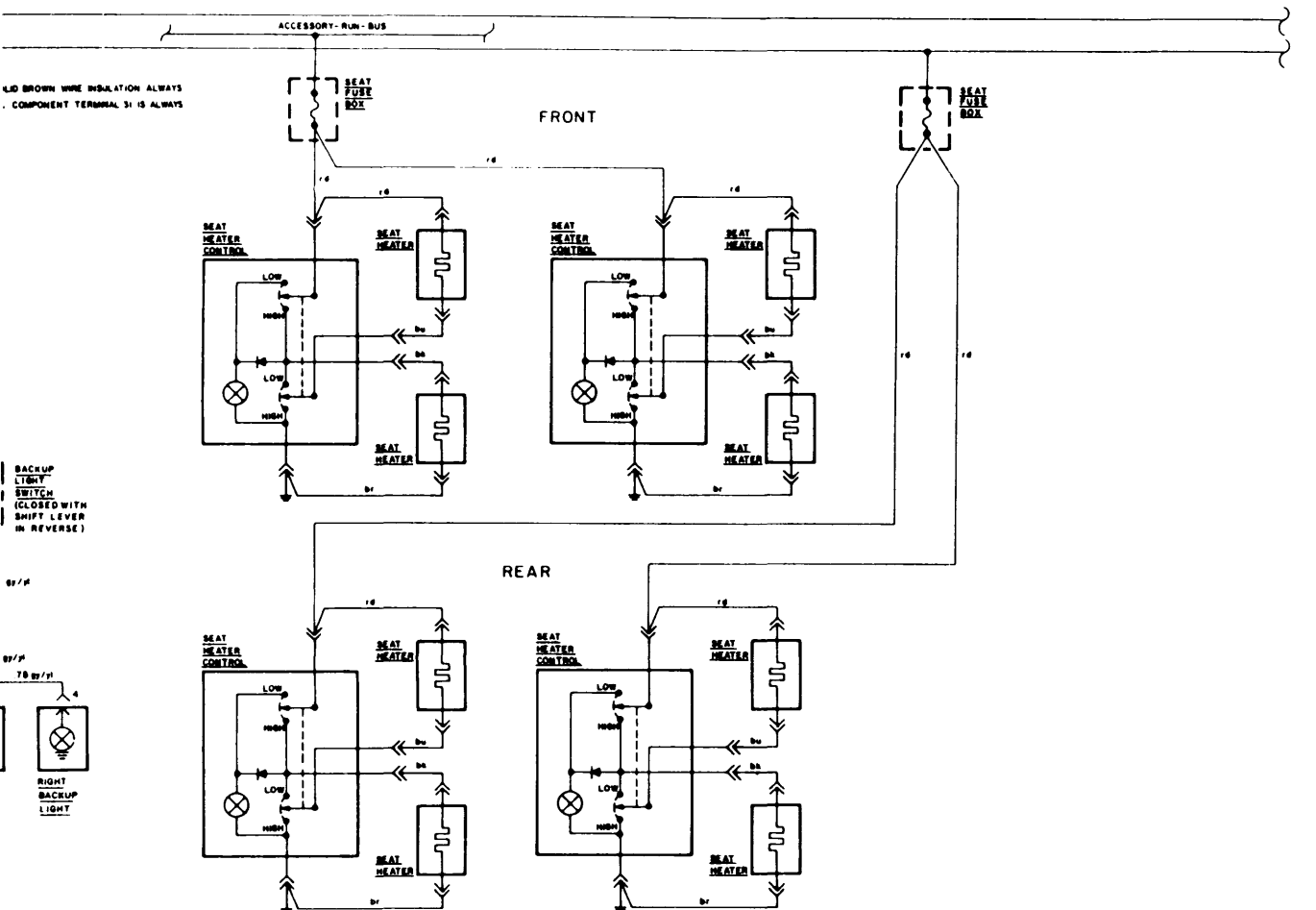




INSULATION ALWAYS INDICATES GROUND  
 WIRE 31 IS ALWAYS GROUND

8 — 9 — 10 — 11 — 12 — 13 —

HEATED SEATS



- EMISSI
- Carburet
- Carburet
- Float ch
- HEATEI
- Delay re
- HEATEI
- KICKDC
- WINDSH
- Interval
- C 104
- C 106
- C 106
- C 107
- C 108
- C 133
- C 135
- C 140



## COMPONENT INDEX

SYSTEM / COMPONENT	LOCATION ON VEHICLE	LOC FIG NO	TERM FIG NO	SYSTEM / COMPONENT	LOCATION ON VEHICLE	LOC FIG NO	TERM FIG NO
<b>EMISSION CONTROL</b>							
Carburetor choke heater	RH side of engine	13					
Carburetor idle vent valve	RH side of engine	13					
Float chamber vent valve							
<b>HEATED REAR WINDOW</b>							
Delay relay	Behind instrument panel	1					
<b>HEATED SEATS</b>							
<b>KICKDOWN SOLENOID</b>							
<b>WINDSHIELD WASHER/WIPER</b>							
Interval wiper control	Behind instrument panel	3					
C 104	Driver's side, under dash	2	T23				
C 105	Firewall		T25				
C 106	Under dash, driver's side	2	T23				
C 107	Console (power window)		T2				
C 108	Console (power window)		T4				
C 133	Behind glove box		T24				
C 135	J.H side of trunk, on bracket		T2				
C 140	Firewall		T1				



Fig 12

- 1 Ignition coil
- 2 Transistorized ignition switching unit
- 3 Diagnostic plug



Fig 13

- 1 Carburetor idle vent valve
- 2 Float chamber vent valve

19

20

21

22

23

24

## LOCATION FIGURES

1977 230

## FUSE DATA

Fuse 1 (8 amps)  
License plate lights  
Right front standing/parking light  
Right tail light

Fuse 2 (8 amps)  
A/C heater lights  
Clock  
Front dome light  
Power antenna  
Rear dome light  
Trunk light  
Turn signal/hazard flasher

Fuse 3 (8 amps)  
Left front standing/parking light  
Left tail light

Fuse 4 (8 amps)  
Cigar lighter and light  
Glove box light  
Window relay code 10

Fuse 5 (8 amps)

Fuse 6 (16 amps)  
Windshield wiper/washer

Fuse 7 (8 amps)  
Right high beam

Fuse 8 (16 amps)  
Heated rear window

Fuse 9 (8 amps)  
Left high beam

Fuse 10 (16 amps)  
Blower motor  
A/C relay 1 code 12

Fuse 11 (8 amps)  
Fog lights  
Right low beam

Fuse 12 (8 amps)  
Auxiliary fan relay code 6  
Brake lights  
Cruise control amplifier  
Instrument cluster  
Turn signal/hazard flasher

Fuse 13 (8 amps)  
Left low beam

Fuse 14 (8 amps)  
Backup lights  
Horn  
Kickdown solenoid  
Seat belt warning unit

Fuse a (16 amps)  
Left rear window  
Right front window

Fuse b (16 amps)  
Left front window  
Right rear window

Fuse c (16 amps)  
Auxiliary fan motor

Fuse d (16 amps)  
Sliding roof

In-line radio fuse (2 amps)  
Radio

AIR CONDITIONER	A7
AUXILIARY FAN	B7
CHARGE	D4
CIGAR LIGHTER	J5
CLOCK	F12
COOLANT TEMPERATURE GAUGE	F12
CRUISE CONTROL	N3
DIAGNOSTIC PLUG	B12
ELECTRIC WINDOW	E4
EMISSION CONTROL	J9
FUEL GAUGE	F11
HEATED REAR WINDOW	N5
HEATED SEATS	N10
HEATER	A5
HORN	A4
IGNITION SYSTEM	A11
KICKDOWN SOLENOID	N6
LIGHT CIRCUITS	
AIR CONDITIONING	C18
ASH TRAY	K5
BACKUP	S7
BRAKE	S2
BRAKE SYSTEM WARNING	F9
BRAKE WEAR	F11
DOME (FRONT)	G8
DOME (REAR)	D23
FOG	D20
GLOVE BOX	J1
HEAD	D21
INSTRUMENT CLUSTER	F11
LOW FUEL WARNING	F11
MARKER	D18
PARKING	D19
STANDING	D19
TAIL	D18
TRUNK	G8
POWER RADIO ANTENNA	J8
RADIO	J8
SEAT BELT WARNING	A1
SLIDING ROOF	E1
START	A5
TURN SIGNAL/HAZARD FLASHER	A13
WINDSHIELD WIPER/WASHER	J3
POWER BUS DETAILS	J11
SPECIAL GROUNDING CIRCUITS	J13