

## 07.3–242 Subsequent installation of safety switch on air flow sensor

---

When installing a new engine or an exchange engine without safety switch (19) on air flow sensor and distributor rotor with rpm limitation in vehicles which have been installed with these components up to now, use safety switch and distributor rotor from old engine.

### Installation

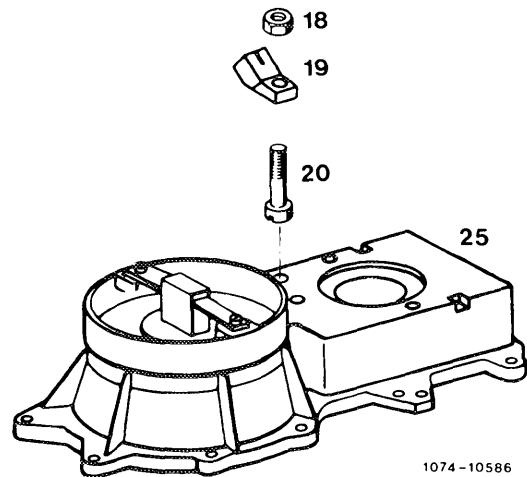
---

- 1 Remove mixture controller from new engine.
- 2 Install safety switch (19) as shown in Fig.. Do not use removed disk.

#### Attention!

When mounting safety switch, make sure that insulating disk is correctly mounted under leaf spring.

- 3 Install distributor rotor with rpm limitation into new engine.



1074-10586