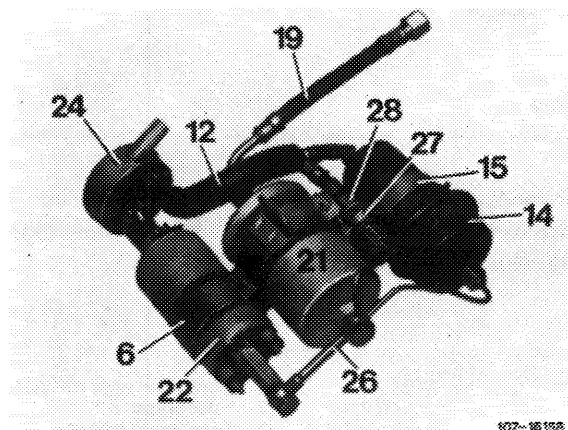


A. General

Since February 1979 the pressure reservoir (14) is connected in front of fuel filter, and an additional pressure compensating valve (27) is also installed. As a result, the cold engine will fire much easier and smooth running directly following a cold start will be improved.

As a result of the installation of light alloy fuel distributor, the pressure compensating valve is integrated in fuel distributor.



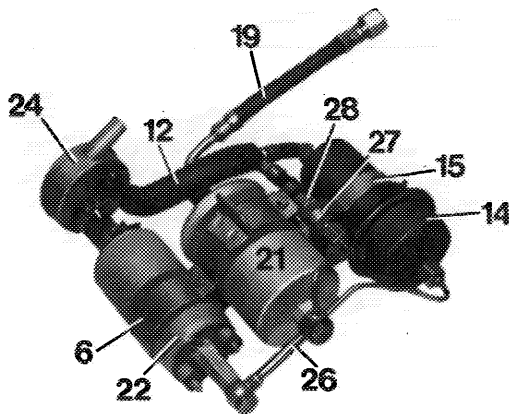
For **start of series production** refer to “Technical revisions”.

Note: Since February 1981 the pressure reservoir (14) is connected in front of fuel filter on model 123.093. On this model, the pressure compensating valve (27) is not installed owing to installation position of fuel tank.

Operation

The pressure reservoir (14) has now only one connection and owing to a throttle is filled only slowly with fuel. From fuel filter the fuel flows directly into feed line toward engine. As a result, the fuel pressure is building up much faster at injection valves.

In front of fuel filter (21) is an additional pressure compensating valve (27), which closes in the event of pressure in system. If the fuel volume in system is reduced when the fuel is cooling down, the pressure compensating valve will open. This will prevent that the control piston in fuel distributor will be pulled to full load under influence of vacuum, since otherwise during a cold start the full fuel quantity might be injected for a short period and the engine might be excessively enriched.



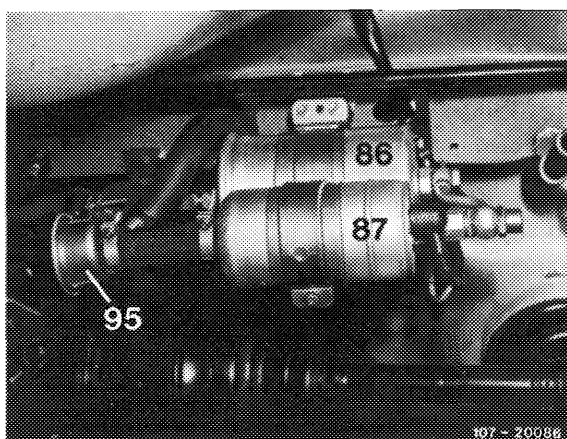
107-16156

B. Scope

Note

On models 107 and 126 fuel filters will be installed with damper (86), as well as a diaphragm damper (95). This will reduce noises caused by fuel pump.

- 86 Fuel filter with damper
- 87 Fuel pump
- 95 Diaphragm damper



On vehicles in national version (AUS) (J) (S) and (USA) with CIS injection system prior to model year 1981, the respective components can also be installed. On vehicles of model year 1981, the changes are already in place. However, the fuel pump assembly differs by a fuel filter of larger diameter (owing to revised maintenance intervals).

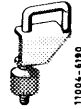
Introduction into series

Model	Starting chassis end no.	Remarks
107.022	010166	Fuel filter with damper and diaphragm damper
107.042	010715	damper (since April 1981)
126.022/023	004661	Fuel filter with damper (since April 1980)
126.022/023	016862	Diaphragm damper (since October 1980)

On vehicles with lower chassis end no. the components can be subsequently installed in the event of complaints about "Fuel pump loud".

Special tool

Clamp for hose lines



000 589 40 37 00

Spare parts

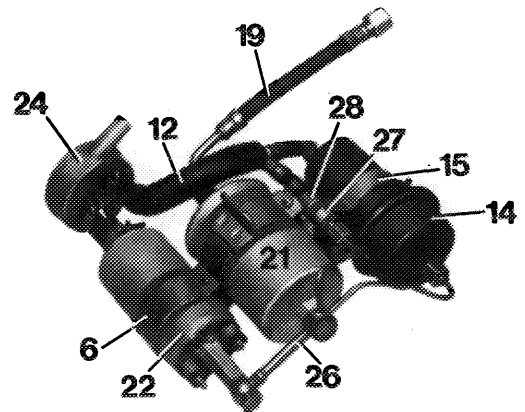
Designation	Part no.
Conversion kit	123 470 05 93
Steel line for engines with light alloy fuel distributor	126 470 01 64

Responsible for delivery: Plant 50 (PEW Sindelfingen)

Note

When exchanging fuel filter (21), fuel pump (22) or pressure compensating valve (27) make sure that a plastic sheet or plastic sleeve is mounted between these parts and holder (6, 15, 28). Sleeve should project on both sides of holder, since direct contact of parts with holder may lead to contact corrosion.

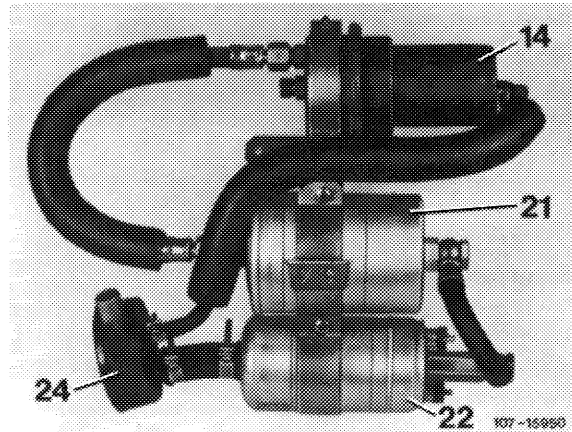
On vehicles in (AUS) and (J) version, a pressure compensating valve may not be subsequently installed.



107-16156

Layout fuel pump assembly

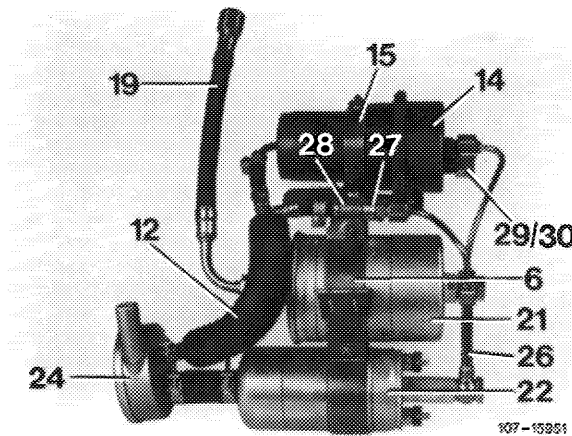
Former layout
 14 Pressure reservoir
 21 Filter
 22 Fuel pump
 24 Damper



Present layout

6 Holder for fuel pump and filter
 12 Leak line
 14 Pressure reservoir
 15 Holder for pressure reservoir
 19 Fuel hose
 21 Filter
 22 Fuel pump

24 Damper
 26 Fuel pressure line
 27 Fuel compensating valve
 28 Clamp for pressure compensating valve
 29 Closing cone
 30 Coupling nut

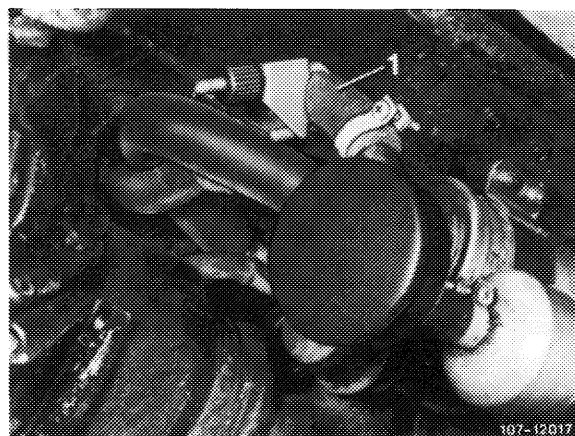


For conversion, the following parts may be used again:

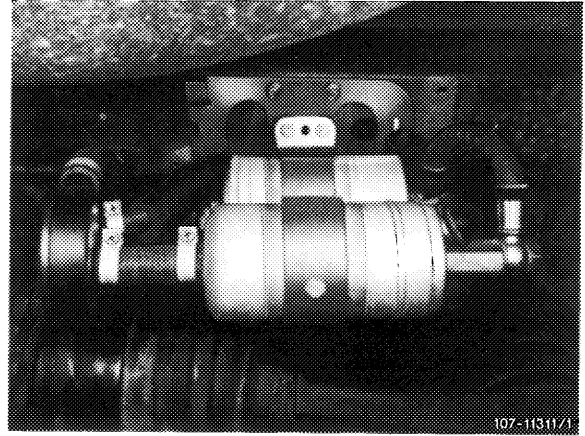
Fuel pump,
 suction damper,
 pressure reservoir,
 fuel filter.

Conversion

- 1 Unscrew protective case.
- 2 Disconnect electric connections.
- 3 Pinch fuel suction hose (1) between fuel tank and suction damper by means of a clamp.



- 4 Loosen suction hose on suction damper and pull off.
- 5 Unscrew fuel pressure line from feed line to engine compartment. Clean screw connection first.
- 6 Unscrew fastening nuts of anti-vibration buffers and remove "fuel pump assembly".
- 7 Disassemble fuel pump assembly.

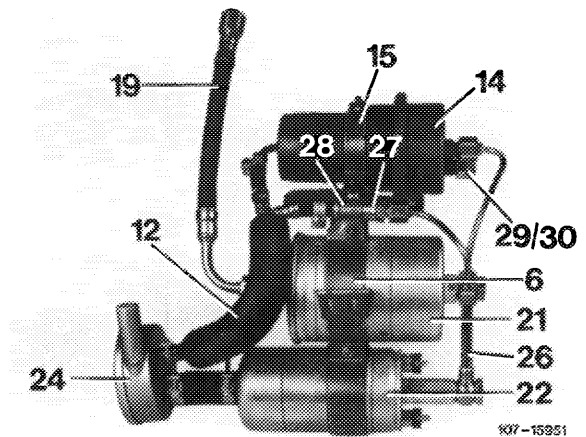


- 8 Clean fuel pump and fuel filter externally and mount in addition to plastic sleeve (slip up to bead of pump).

As an exception, a sheet (e.g. Tesafilm) may be glued on instead of plastic sleeve.

Attach plastic sleeve or sheet always in such a manner that it projects on both sides of holder. A direct contact of holder and pump or filter may lead to contact corrosion.

- 9 Assemble with components of conversion kit pump assembly, as shown in illustration. Slip fuel pump (22) up to bead into holder (6) and mount clamp (28) for pressure compensating valve (27) under holder of pressure reservoir. Prior to tightening screws of holder, position fuel pressure line (26) at pump, filter and pressure reservoir, align parts in relation to each other and tighten screws. On pressure reservoir, close the off-center connection with a closing cone (29) and a coupling nut (30).



- 10 Install pump assembly and fuel hoses, and make electrical connections.

- 11 Remove clamp on suction hose, run engine and check system for leaks.

- 12 Mount protective case. Then make sure that fuel hoses are not exposed to chafing.

Note: On vehicles with auxiliary heater, the leak line is approx. 50 mm in front of suction damper. Insert a T-fitting. Here, the protective anti-chafing hose must be shortened.