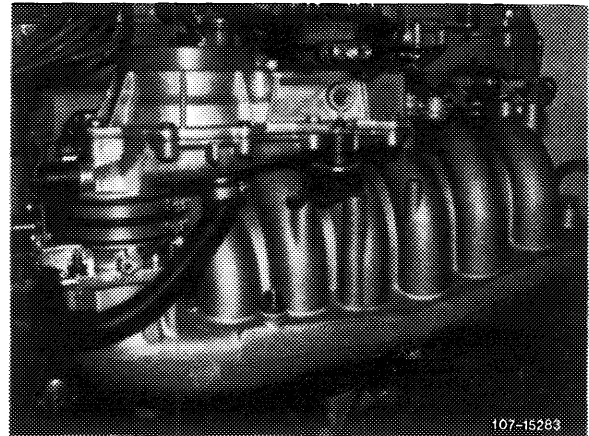


Note

When removing and installing intake manifold, the mixture controller with air guide housing need not be removed.

Layout and shape of intake manifold have been changed starting from date of increased output. As a result, the following additional changes were made:

1. Injection lines for cylinders 4-6.
2. Control pressure line from fuel distributor to pressure damper.
3. Control pressure line from warm-up compensator to pressure damper.
4. Return line from warm-up compensator to fuel distributor.
5. Connection for idle air on air guide housing.
6. Additional holder for supporting mixture controller.
7. Holder for fastening pressure damper to intake manifold.
8. Regulating lever.
9. Air guide housing.
10. Contour hose.
11. Support for intake manifold.
12. Rubber hose for full load enrichment.



Installation: April 1978

Model	Starting chassis end No.
107.022	005201
107.042	004222
116.024/025	113919
123.033	039906 (035262) ¹⁾
123.053	008540 (006171) ¹⁾
123.093	000021
126.022/023	Start of series

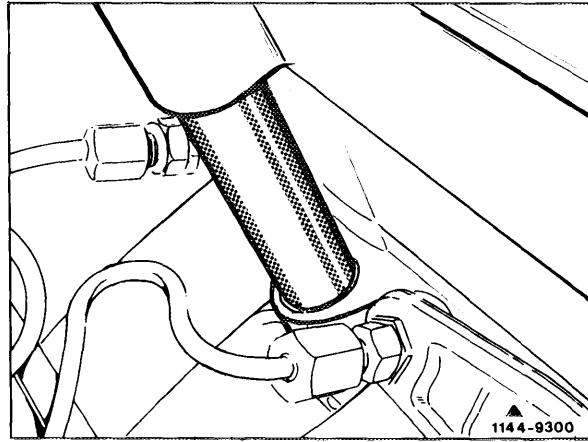
¹⁾ Righthand steering in England version.

Vent connection to intake manifold
 Engine 110.984/985/986

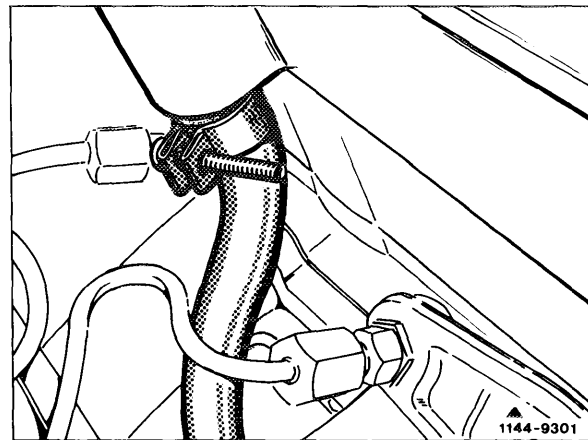
Connection has been changed for better distribution
 of vent vapors. This required a modification of
 contour hose.

After the former intake manifold has been used up,
 only the modified intake manifold together with
 contour hose will be available.

1st version



2nd version



Installation: September 1979

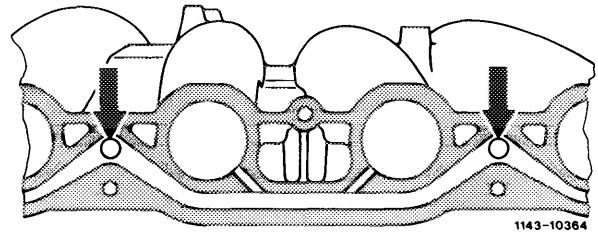
Model	Engine	Engine end No.		Chassis end No.
		manual transmission	automatic transmission	
107.022 107.042	110.986	003146	007150	007614 006812
116.024 116.025	110.985	014021 069693		151315
123.033 123.053 123.093	110.984	019774	066923	064566 017098 004432
126.022 126.023	110.987	start of series		

Idle air feed

The idle air feed now proceeds via 2 connections instead of the former central air intake.

Air distribution to the individual cylinders will be improved.

Smooth running of engine following a cold start is also improved by the said measure.



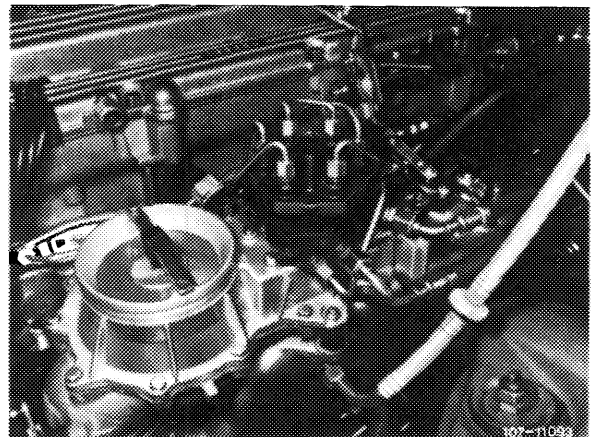
Installation: September 1981

Model	Engine	Engine end No.		Chassis end No.	
		manual transmission	automatic transmission	Installation mixed	Installation continuous
107.042	110.990	start of series		010107-011567	011569
123.007	110.988	start of series		085174-096468	096496
123.033				024129-024416	024417
123.053				010064-010252	010253
123.093					
126.022	110.989	start of series		021381-043198	043199
126.023				039922-042786	042787

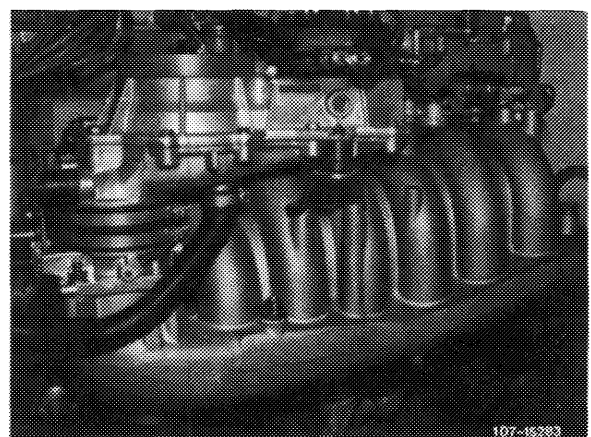
Removal

- 1 Remove air cleaner.
- 2 Drain coolant.
- 3 Unscrew all fuel and injection lines while catching fuel with a rag. Close fuel lines blind.
- 4 Pull cable plug from mixture controller (if installed) and from cold start valve.
- 5 Disconnect connecting rod for longitudinal regulating shaft. On model 126, remove longitudinal regulating shaft (30-310).
- 6 Pull off vacuum line for automatic transmission and central locking system.
- 7 Unscrew cable strap for electric cable harness (cold start valve, warm-up compensator, safety switch).

1st version



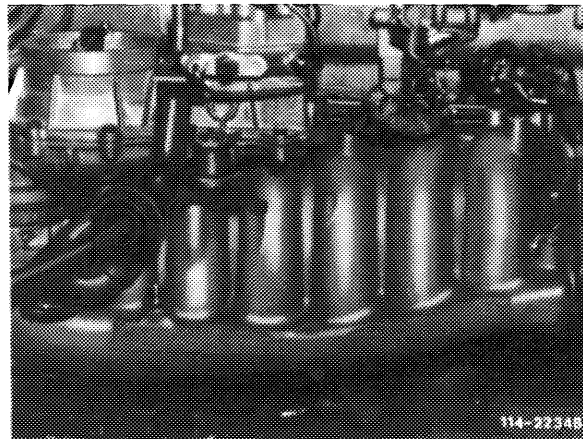
2nd version



- 8 Remove heater hose from dashboard.
- 9 Pull off vacuum line for ignition timing.
- 10 Unscrew line for diagnosis plug.
- 11 Unscrew vacuum line for brake unit.

12 Remove decel shutoff valve.

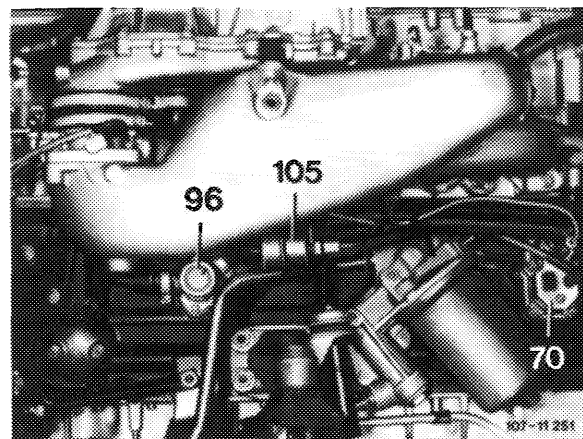
3rd version
with decel shutoff



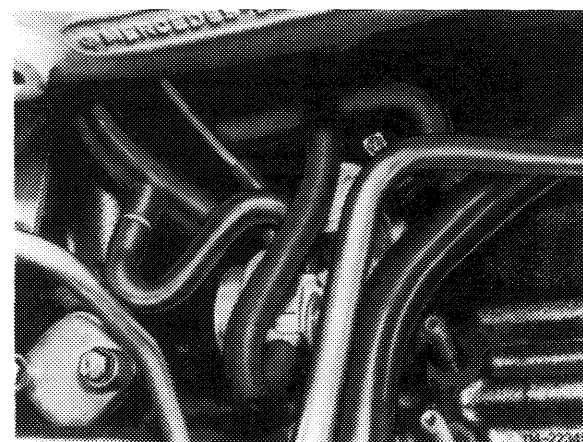
13 Pull off contour hoses after loosening hose clamp and leak line on idle air distributor.

14 On engines prior to increased output, unscrew control pressure line on diaphragm damper (105) and return flow line on warm-up compensator (70).

On model 126, unscrew high-pressure oil line for power steering pump.



15 Unscrew all fastening nuts and screws on intake manifold as well as on support.



16 Unscrew both fastening screws for engine mounts and engine damper. Lift engine with pitlift until intake manifold can be taken off.

On model 126, pull engine to the right and remove intake manifold.

17 Clean intake manifold and check flange faces with straightedge, refinish on surface plate, if required.

Installation

18 For installation proceed vice versa, using a new gasket.

Prior to tightening intake manifold, introduce return flow line from warm-up compensator.

19 Tighten fastening screws for engine mounts to 75 Nm.

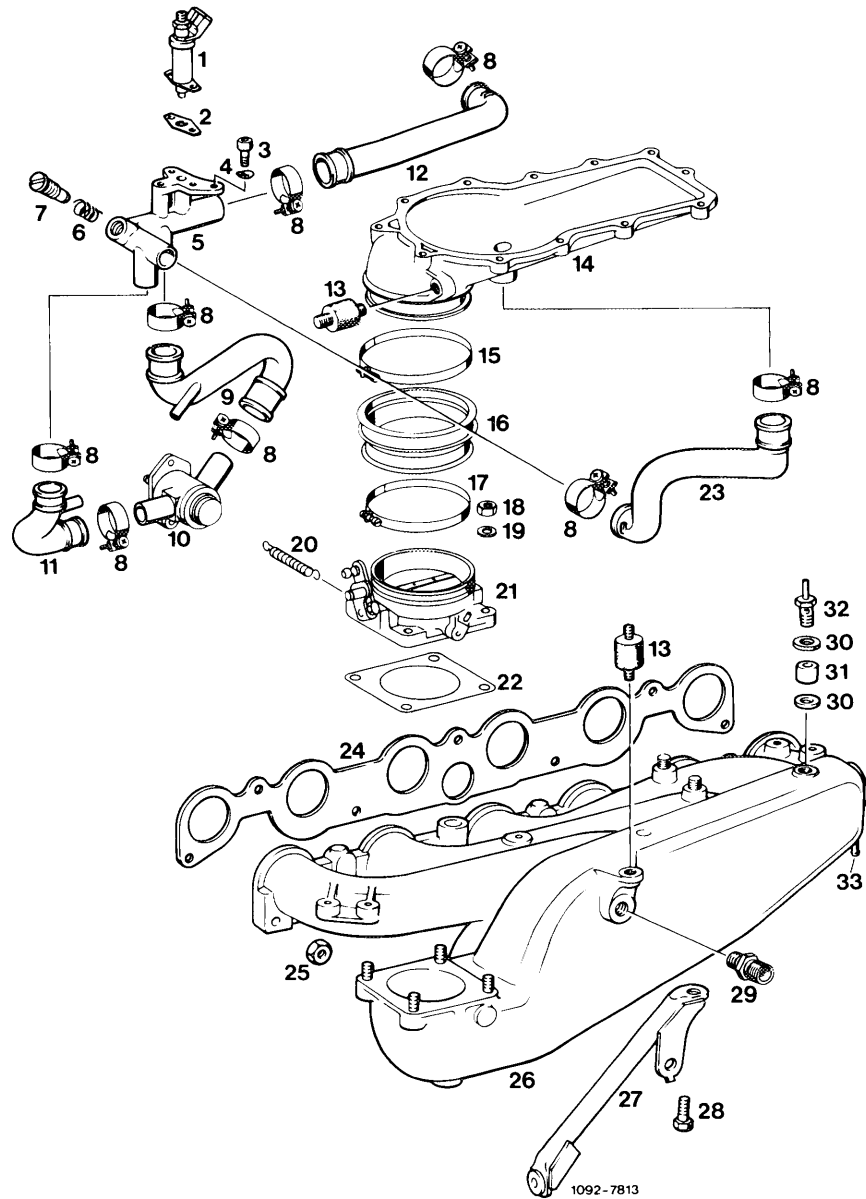
20 Fill-in coolant.

21 Adjust regulating linkage (30–300). Check for easy operation.

22 Run engine, check fuel lines for leaks. Check intake system, fuel distributor and injection valves for leaks by spraying with Iso-Oktan or benzine.

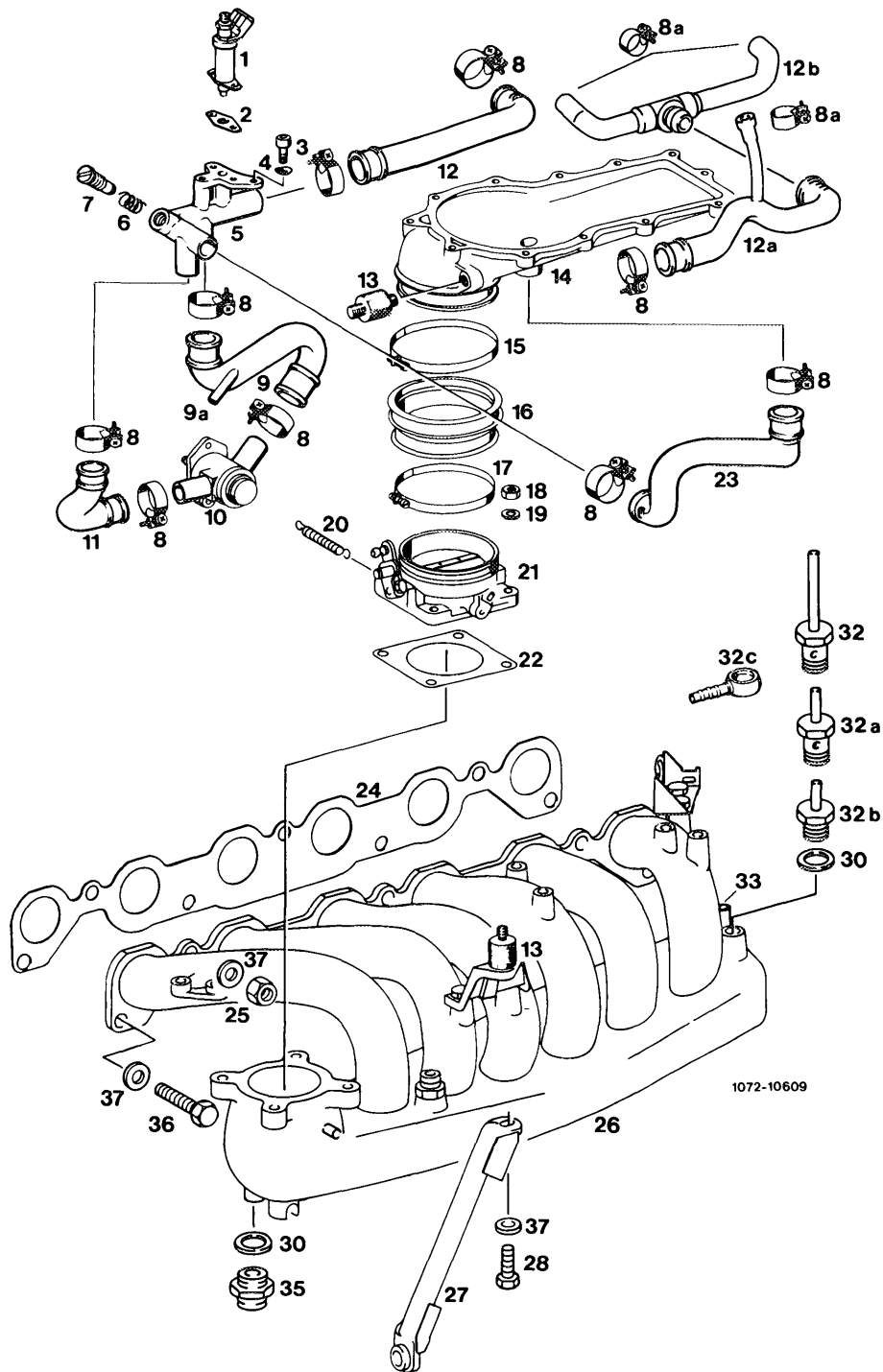
23 Adjust idle speed (07.3–100).

**Intake manifold
1st version
up to increased output**



- | | | |
|------------------------------|---------------------------|---|
| 1 Cold start valve | 12 Contour hose | 23 Contour hose |
| 2 Gasket | 13 Vibration damper | 24 Gasket |
| 3 Hex. socket screw | 14 Air guide housing | 25 Nut |
| 4 Corrugated washer | 15 Hose clamp | 26 Intake manifold |
| 5 Idle speed air distributor | 16 Rubber sleeve | 27 Supporting bracket |
| 6 Compression spring | 17 Hose clamp | 28 Hex. bolt |
| 7 Idle speed air screw | 18 Nut | 29 Double connection |
| 8 Hose clamp | 19 Washer | 30 Sealing ring |
| 9 Contour hose | 20 Return spring | 31 Spacing sleeve |
| 10 Auxiliary valve | 21 Throttle valve housing | 32 Vacuum connection |
| 11 Contour hose | 22 Gasket | 33 Vacuum connection for full load enrichment |

**2nd version
starting with increased output**



- | | | |
|-------------------------------|--|---|
| 1 Cold start valve | 12a) Contour hose | 25 Nut |
| 2 Gasket | 12b) 2nd version starting September 1981 | 26 Intake manifold |
| 3 Hex. socket screw | 13 Vibration damper | 27 Supporting bracket |
| 4 Corrugated washer | 14 Air guide housing | 28 Hex. screw |
| 5 Idle speed air distributor | 15 Hose clamp | 30 Sealing ring |
| 6 Compression spring | 16 Rubber sleeve | 32 Vacuum connection |
| 7 Idle speed air screw | 17 Hose clamp | 32a) e. g.: automatic transmission |
| 8 Hose clamp | 18 Nut | 32b) Central locking system, light |
| 8a Hose clamp | 19 Washer | 32c) range control |
| 9 Contour hose | 20 Return spring | 33 Vacuum connection for full load enrichment |
| 9a Connection ignition retard | 21 Throttle valve housing | 35 Double connection for EGR |
| 10 Auxiliary air valve | 22 Gasket | 36 Screw |
| 11 Contour hose | 23 Contour hose | 37 Washer |
| 12 Contour hose 1st version | 24 Gasket | |