

A. Lefthand steering models 107, 116, 123, 126
 Righthand steering models 107, 116, 126

Adjusting values in mm

Model	107	116	123	126
Length of connecting rod (B) from throttle valve housing to guide lever	75			
Length of connecting rod (2) from guide lever to slotted lever	345			
Length of connecting rod (10) via cylinder head cover (automatic transmission 722.1 (W 4 B 025) only)	306			
Length of pushrod (5) from longitudinal regulating shaft to accelerator pedal	105	68	186	220

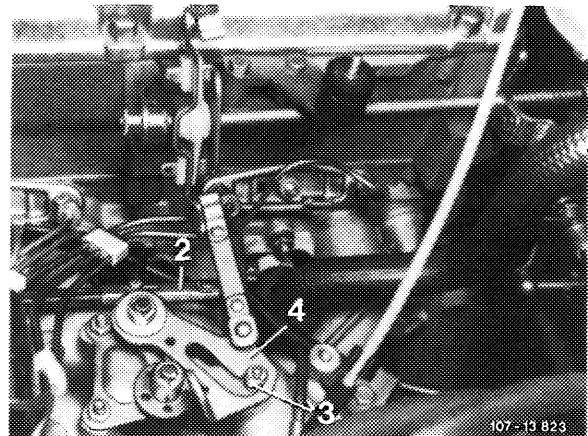
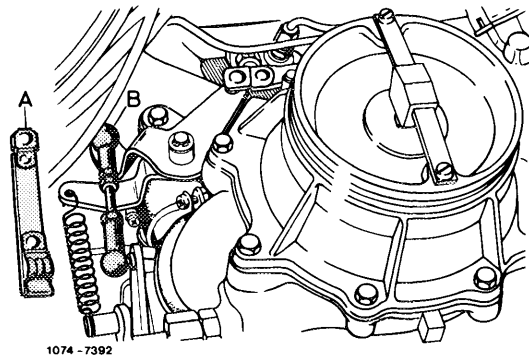
Adjustment

1 Check regulating linkage for easy operation and bends. Replace linkage, if required.

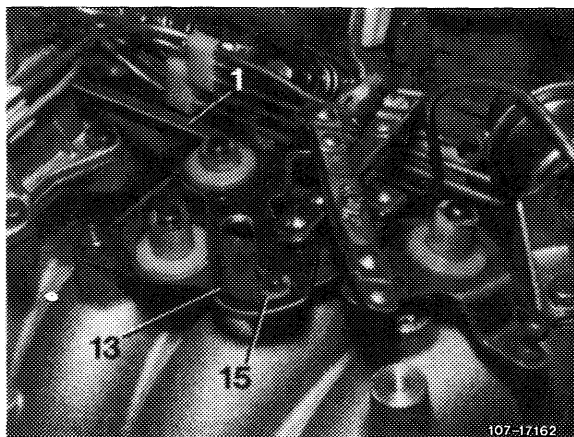
2 Disconnect connecting rod (B) on throttle valve housing. Check whether throttle valve rests against idle speed stop. Reconnect connecting rod free of tension, adjust to specified length, if required.

Note: The connecting rod (B) should be made of round material with screwed-on ball sockets. Replace profiled sheet metal-connecting rod (A).

3 Adjust connecting rod (1, 2) in such a manner that the rollers (3, 15) in slotted lever (4, 13) are resting free of tension against final stop.

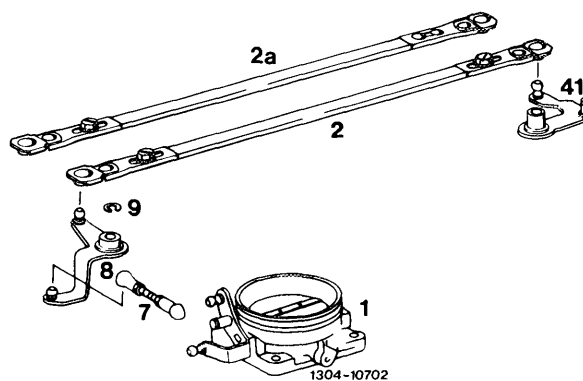


Model 123



Model 126

The connecting rod (2a) can now be adjusted on one side only. Pay attention to installation position (refer to Fig.).



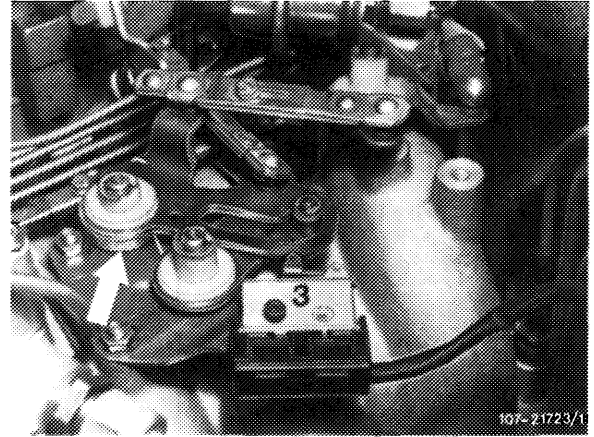
2 1st version
2a 2nd version

Installation: January 1982

Model	Engine	Engine end No.		Chassis end No.
		manual transmission	automatic transmission	
107	110.990	000 333	000 727	012 560
123.033				099 669
123.053	110.988	001 431	004 447	025 300
123.093				010 978
126.022	110.989	001 665	009 354	053 569
126.023				

Engines with decel shutoff

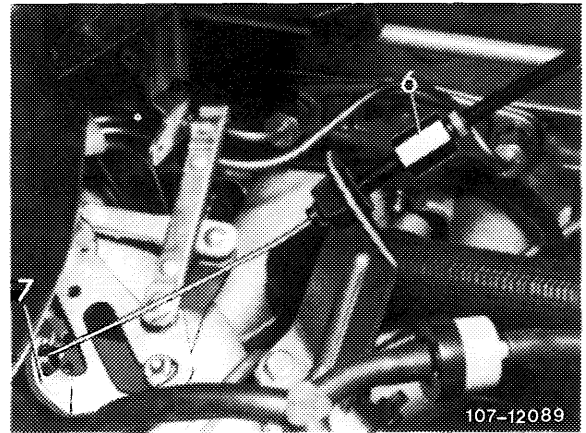
To guarantee operation of microswitch (3) the slotted lever (13) is provided with a restoring spring (arrow). As a result, the slotted lever will return reliably against final stop.



4 Vehicles with cruise control/Tempomat:

Cruise control/Tempomat, pneumatical

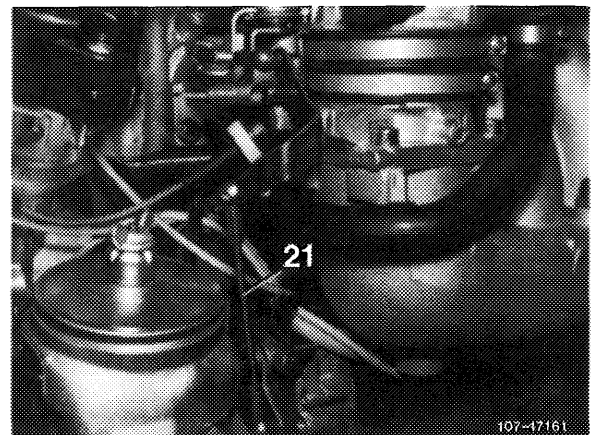
Check whether Bowden wire for cruise control/Tempomat rests free of tension against regulating lever (7). Adjust by means of adjusting nut (6), if required.



Cruise control/Tempomat, electrical

Check whether actuator rests against idle speed stop of cruise control/Tempomat. For this purpose, disconnect pullrod (21) and push lever of actuator clockwise against idle speed stop.

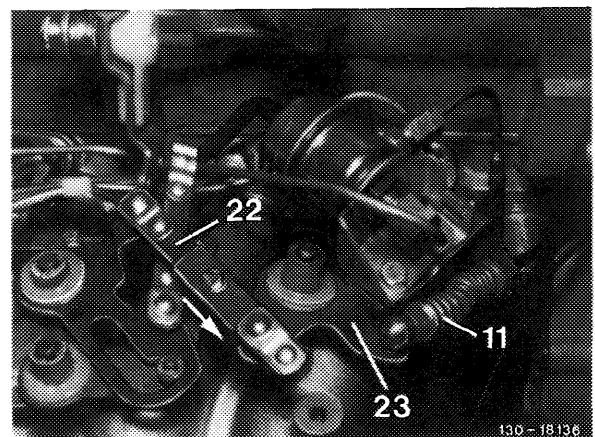
When connecting pullrod (21) make sure that lever of actuator is lifted by approx. 1 mm from idle speed stop. Adjust pullrod, if required.



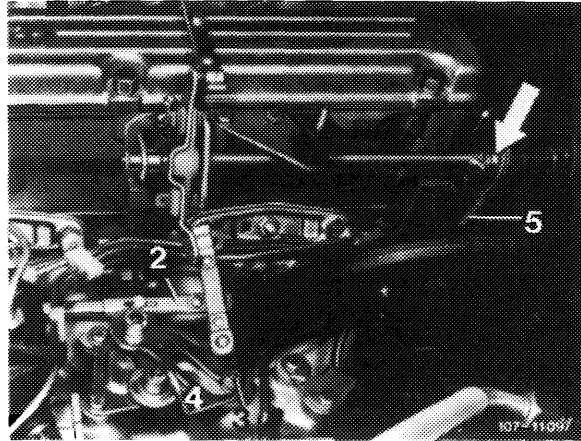
Testing and adjusting full throttle stop

Attention!

On vehicles with automatic transmission 722.3 (W 4 A 040) disconnect Bowden wire (11) and reconnect after adjusting full throttle stop.



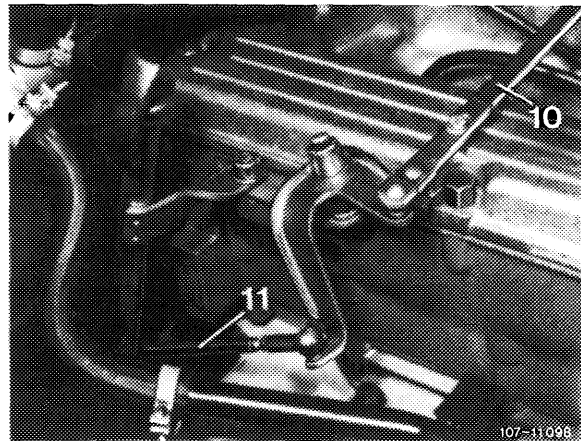
5 With engine stopped, step on accelerator pedal from inside vehicle up to full throttle stop or on automatic transmission up to stop on kickdown switch. Throttle valve lever should rest against full throttle stop. If required, loosen adjusting screw (arrow). Adjust regulating linkage in such a manner that throttle valve lever rests against full throttle stop.



If the full throttle or idle speed stop is not attained with this adjustment, set pushrod (5) from longitudinal regulating shaft to accelerator pedal to specified length, measured from center of ball socket to center of damping ring.

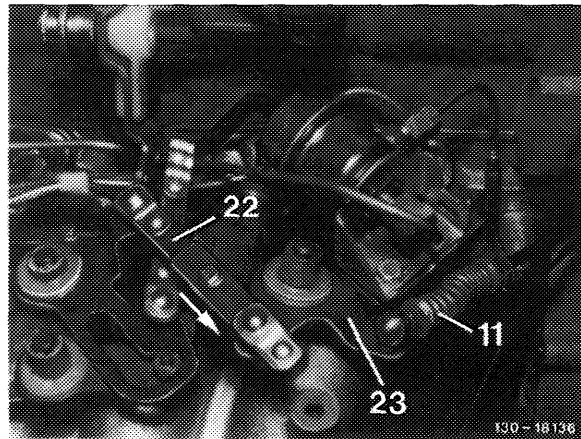
6 Vehicles with automatic transmission:

a) Adjust control pressure rod (11) with engine stopped. For this purpose, disconnect control pressure rod, push completely toward the rear against stop and reconnect free of tension. Adjust ball socket, if required.



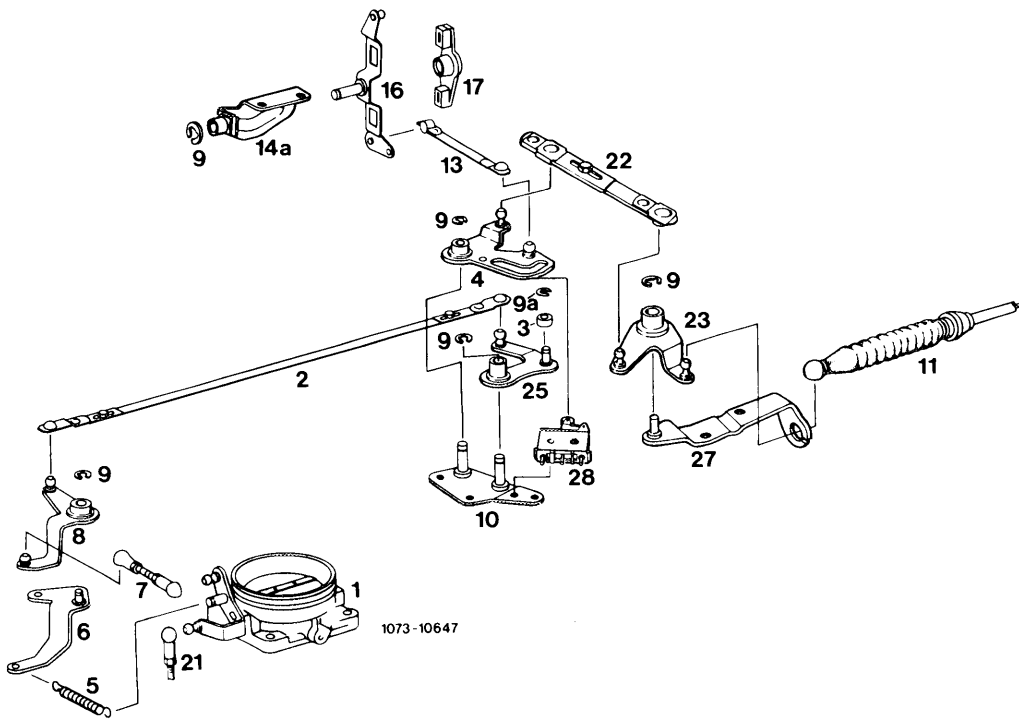
Control pressure rod with automatic transmission 722.1 (W 4 B 025)

b) Adjust Bowden wire (11) with engine stopped. For this purpose, disconnect connecting rod (22) and pull guide lever (23) in direction of arrow noticeably against idle speed stop on automatic transmission. Reconnect connecting rod (22) free of tension and adjust, if required.



Bowden wire with automatic transmission 722.3 (W 4 A 040)

Starting September 1981



- | | | | |
|----|------------------------------------|-----|-------------------------------------|
| 1 | Throttle valve housing | 13 | Connecting rod |
| 2 | Connecting rod | 14a | Holder |
| 3 | Roller | 16 | Lever |
| 4 | Slotted lever | 17 | Plastic link |
| 5 | Restoring spring | 21 | Connecting rod |
| 6 | Lever | | Cruise control/Tempomat, electrical |
| 7 | Connecting rod | 22 | Connecting rod |
| 8 | Guide lever | 23 | Guide lever |
| 9 | Lock | 25 | Guide lever |
| 9a | Lock | 27 | Holder |
| 11 | Bowden wire automatic transmission | 28 | Microswitch |

B. Righthand steering model 123

Adjusting values in mm

Length of connecting rod (B) from throttle valve housing to guide lever	75
Length of connecting rod (2) from guide lever to slotted lever	345
Length of connecting rod (10) above cylinder head cover (automatic transmission 722.1 (W 4 B 025) only)	306

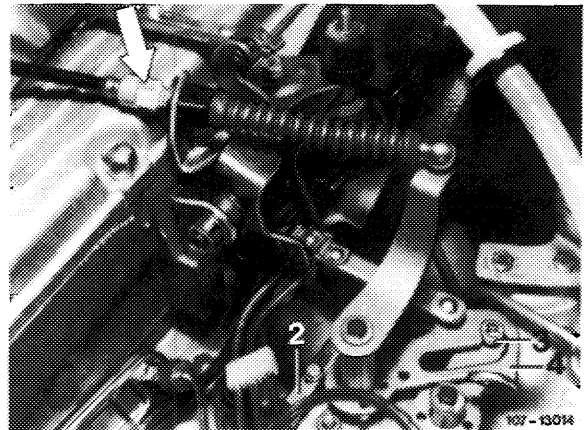
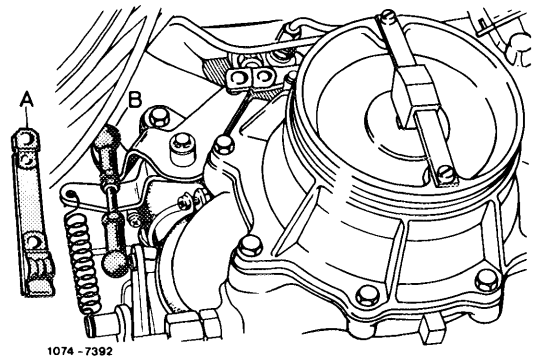
Adjustment

1 Check regulating linkage and Bowden wire for easy operation, distortion and absence of kinks. Replace individual parts, if required.

2 Disconnect connecting rod (B) on throttle valve housing. Check whether throttle valve rests against idle speed stop. Reconnect connecting rod free of tension and adjust to specified length, if required.

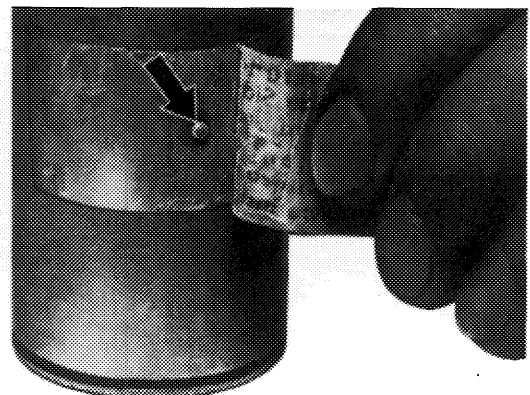
Note: Connecting rod (B) should be made of round material with screwed on ball sockets. Replace profiled sheet metal-connecting rod (A).

3 Adjust connecting rod (2) in such a manner that roller (3) in slotted lever (4) rests free of tension against final stop.



The connecting rod can now be adjusted on one side only. Pay attention to installation position (refer to Fig.).

For installation date refer to section "A" Lefthand steering.

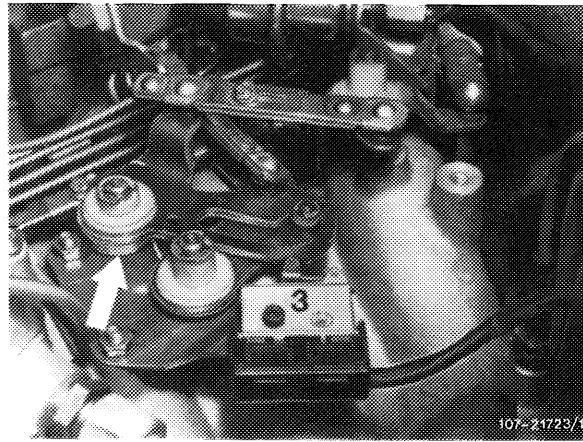


2 1st version
2a 2nd version

107 - 10702

Engines with decel shutoff

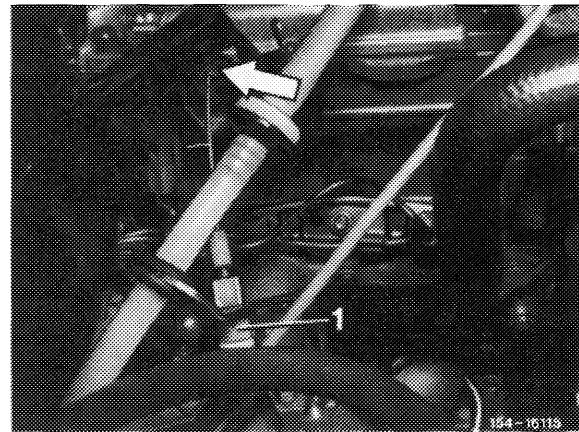
To guarantee operation of microswitch (3), the slotted lever (13) is provided with a restoring spring (arrow). As a result, the slotted lever will return reliably to end stop.



4 Vehicles with cruise control/Tempomat:

Tempomat, pneumatical

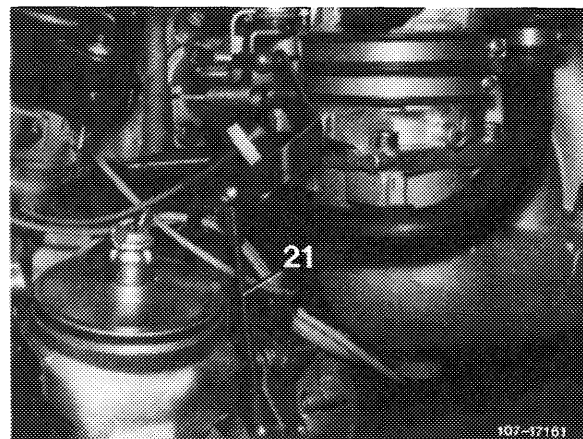
Check whether Bowden wire for cruise control/Tempomat rests free of tension against regulating lever (arrow). Adjust with adjusting nut (1), if required.



Cruise control/Tempomat, electrical

Check whether actuator rests against idle speed stop of cruise control/Tempomat. For this purpose, disconnect pullrod (21) and push lever of actuator clockwise against idle speed stop.

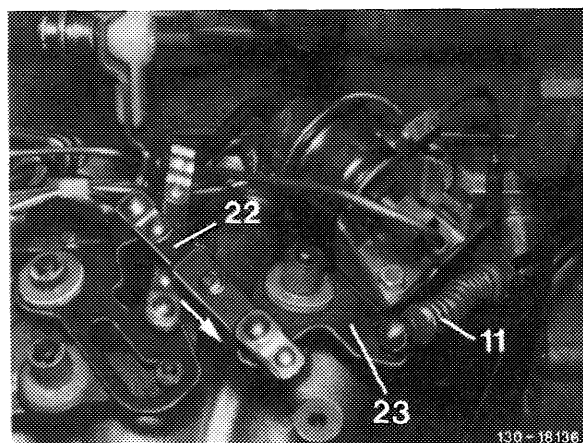
When connecting pullrod (21), make sure that the lever of the actuator is lifted by approx. 1 mm from idle speed stop. Adjust pullrod, if required.



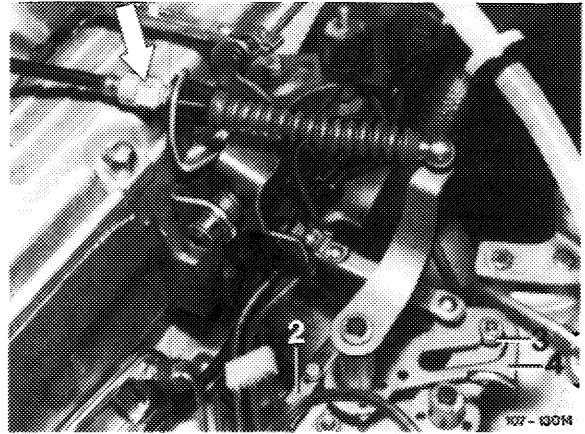
Checking full throttle stop

Attention!

On vehicles with automatic transmission 722.3 (W 4 A 040) disconnect Bowden wire (11), reconnect after adjusting full throttle stop.

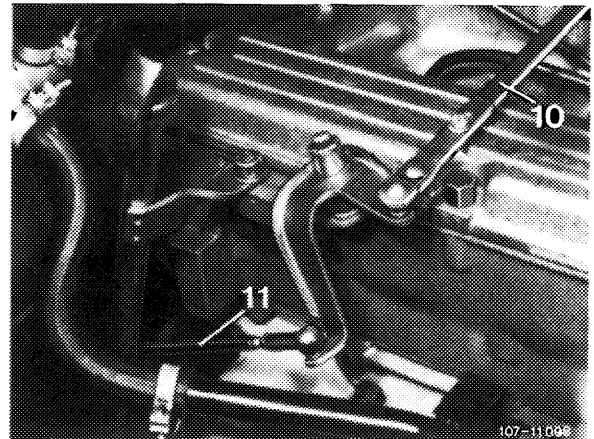


5 With engine stopped, step on accelerator pedal from inside vehicle up to full throttle stop or on automatic transmission up to stop on kickdown switch. Throttle valve lever should rest against full throttle stop. If required, adjust regulating linkage with adjusting screw (arrow) in such a manner that the throttle valve lever rests against full throttle stop.



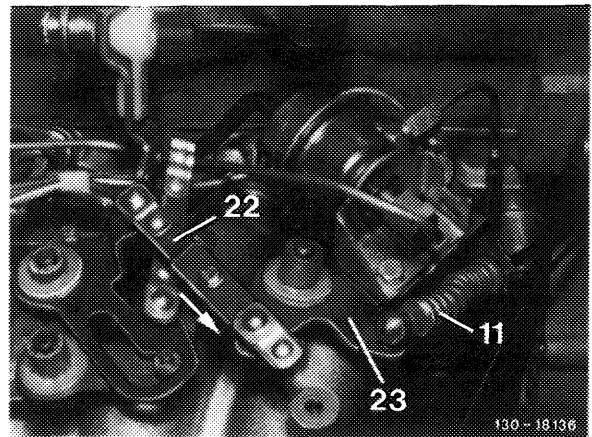
6 Vehicles with automatic transmission:

a) Adjust control pressure rod (11) with engine stopped. For this purpose, disconnect control pressure rod, push completely toward the rear against stop and reconnect free of tension. Adjust ball socket, if required.



Control pressure rod with automatic transmission 722.1 (W 4 B 025)

b) Adjust Bowden wire (11) with engine stopped. For this purpose, disconnect connecting rod (22) and pull guide lever (23) in direction of arrow noticeably against idle speed stop on automatic transmission. Reconnect connecting rod (22) free of tension and adjust, if required.

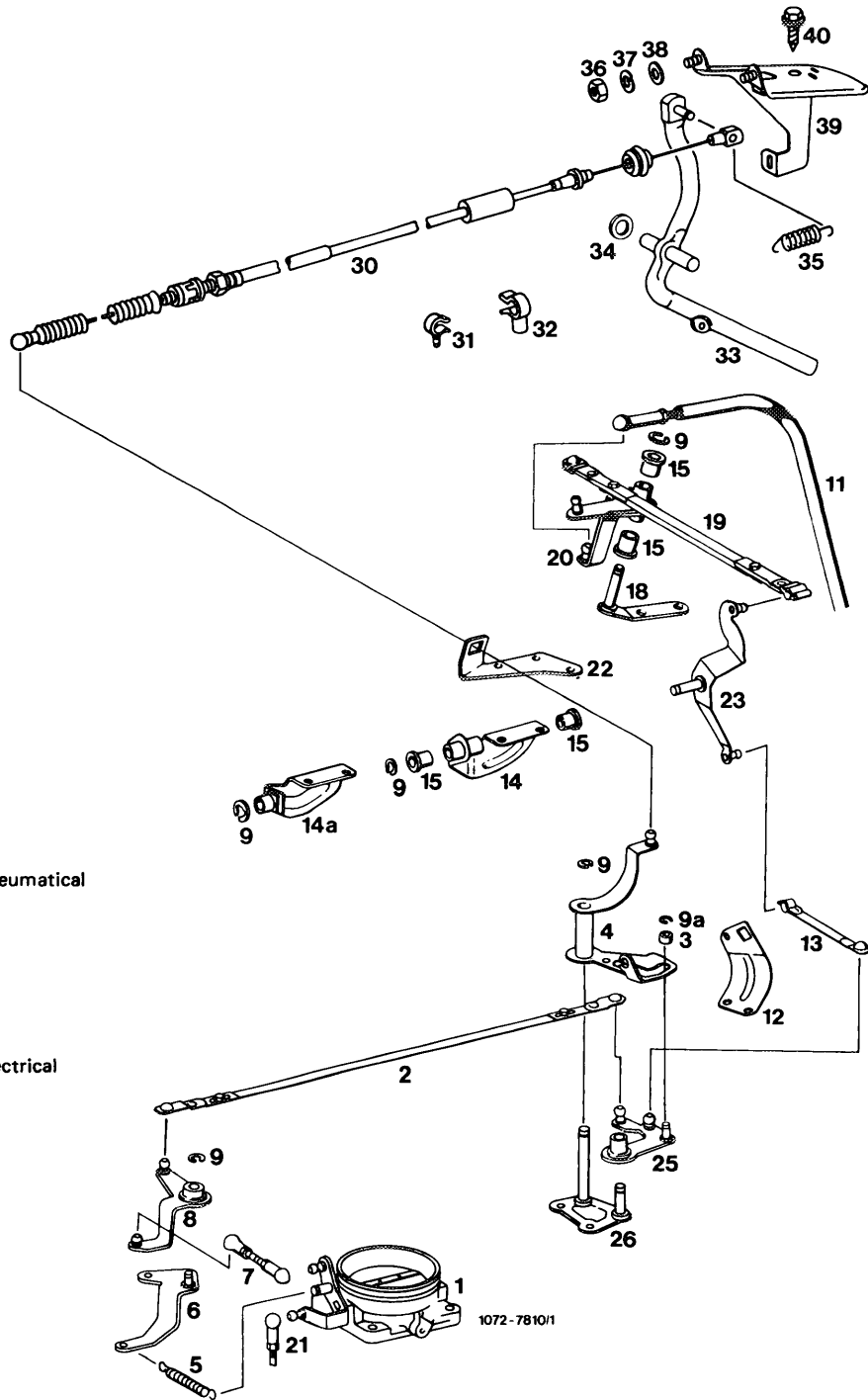


Bowden wire with automatic transmission 722.3 (W 4 A 080)

Engine and chassis regulation

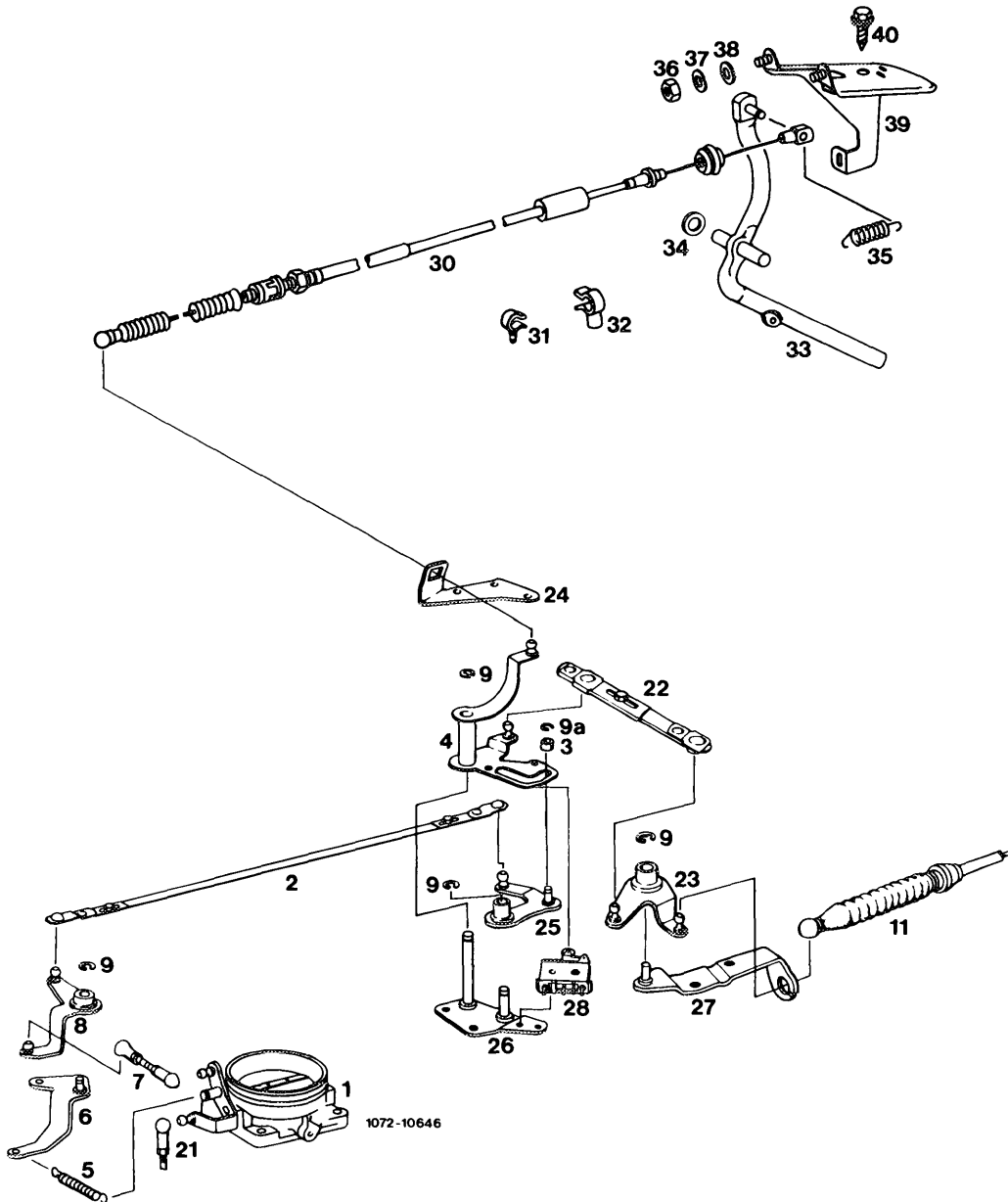
Righthand steering model 123

Prior to September 1981



- 1 Throttle valve housing
- 2 Connecting rod
- 3 Roller
- 4 Slotted lever
- 5 Restoring spring
- 6 Lever
- 7 Connecting rod
- 8 Guide lever
- 9 Lock
- 9a Lock
- 11 Control pressure rod
- 12 Holder for Bowden wire
- 13 Cruise control/Tempomat, pneumatical
- 14 Connecting rod
- 14a Holder 1st version
- 14a Holder 2nd version
- 15 Plastic sleeve
- 18 Bearing bracket
- 19 Connecting rod
- 20 Guide lever
- 21 Connecting rod
- 21 Cruise control/Tempomat, electrical
- 22 Holder
- 23 Guide lever
- 25 Guide lever
- 26 Bearing bracket
- 30 Bowden wire
- 31 Clip
- 32 Clip
- 33 Accelerator lever
- 34 Spacer ring
- 35 Restoring spring
- 36 Nut
- 37 Corrugated washer
- 38 Washer
- 39 Holder
- 40 Screw

1072 - 7810/1



- | | |
|--|----------------------|
| 1 Throttle valve housing | 25 Guide lever |
| 2 Connecting rod | 26 Bearing bracket |
| 3 Roller | 27 Holder |
| 4 Slotted lever | 28 Microswitch |
| 5 Restoring spring | 30 Bowden wire |
| 6 Lever | 31 Clip |
| 7 Connecting rod | 32 Clip |
| 8 Guide lever | 33 Accelerator lever |
| 9 Lock | 34 Spacing ring |
| 9a Lock | 35 Restoring spring |
| 11 Bowden wire automatic transmission | 36 Nut |
| 21 Connecting rod
Cruise control/Tempomat, electrical | 37 Corrugated washer |
| 22 Connecting rod | 38 Washer |
| 23 Guide lever | 39 Holder |
| 24 Holder | 40 Screw |