

30-320 Removal, installation and adjustment of chassis regulating shaft

A. Model 107

Adjusting value in mm

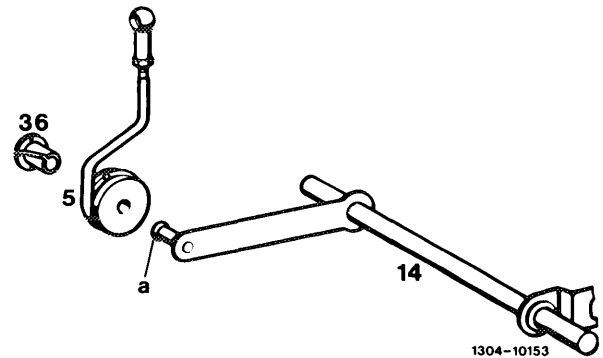
Length of pushrod (5)

105

Note

Since February 1981, pushrod (5) is mounted with a bearing bushing and collar (36) on front wall regulating shaft (14).

Subsequent installation is possible as follows:



Installation: February 1981

Model	Engine	Chassis end No.
-------	--------	-----------------

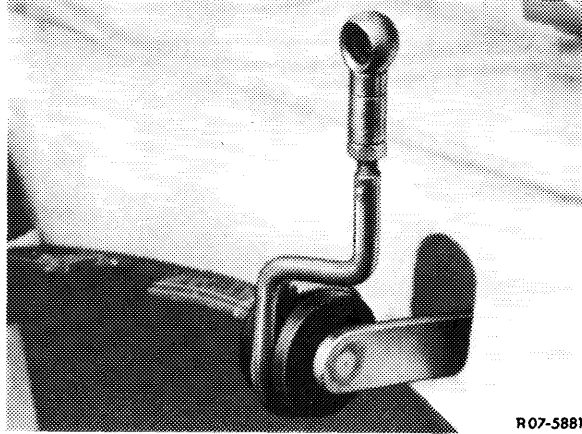
107.022		009866
107.042	110.986	010249

1 Slightly grease knob bolt (a) with Molykote-Longterm 2.

2 Insert bearing bushing with collar (36) in pushrod (5) and press pushrod on knob bolt (a). Pay attention to correct seat of bearing bushing.

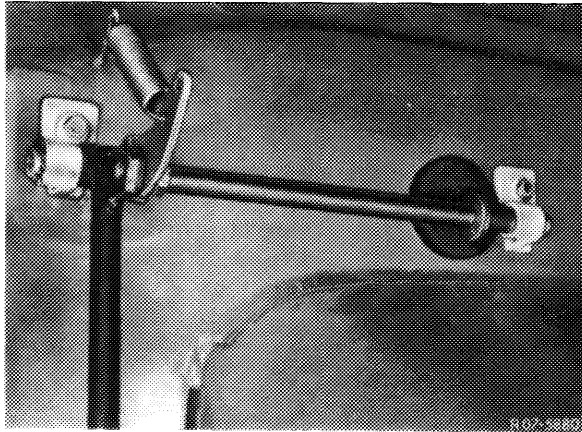
Removal

- 1 Push regulating rod with damping ring from lever of regulating shaft.
- 2 Remove accelerator pedal (30–330).
- 3 Remove heater box (83–100).



R07-5881

- 4 Disconnect restoring spring and unscrew fastening screws from plastic bearings.
- 5 Push out plastic bearings in upward direction and remove regulating shaft with bearing.



R07-5882

Installation

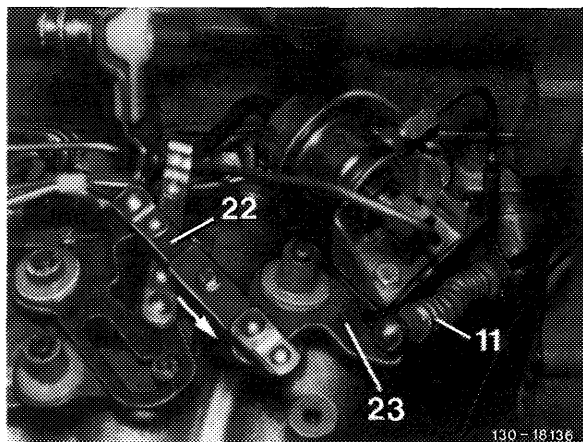
For installation proceed vice versa, while attaching restoring spring to inner hole.

Grease bearing points as well as ball sockets of regulation with Molykote-Longterm 2.

Checking and adjusting full throttle stop

Attention!

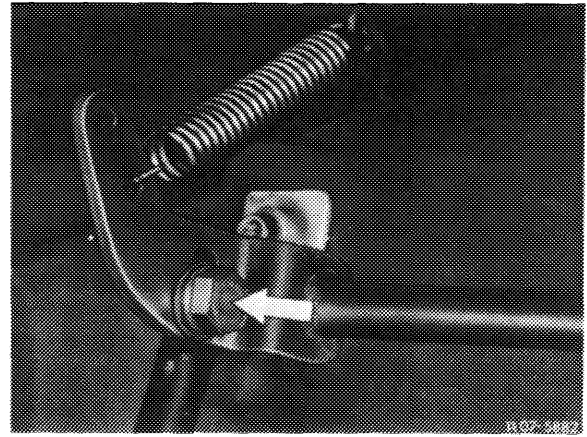
On vehicles with automatic transmission 722.3 (W 4 A 040) disconnect Bowden wire (11) and reconnect after adjusting full throttle stop.



130 - 18136

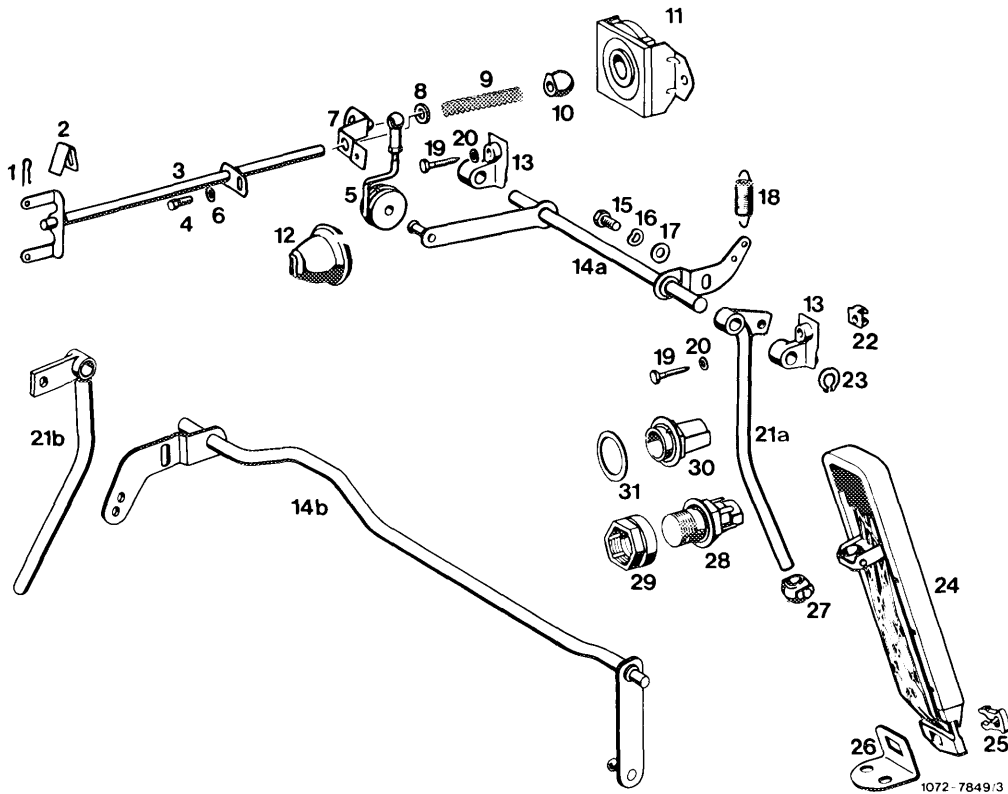
6 With engine stopped, step on accelerator pedal from inside vehicle up to full throttle stop or with automatic transmission up to stop on kickdown switch. Throttle valve lever should rest against full throttle stop. If required, adjust regulating linkage with adjusting screw (arrow) in such a manner that the throttle valve lever rests against full throttle stop.

If the full throttle or idle speed stop is not attained with this adjustment, set pushrod from longitudinal regulating shaft to accelerator pedal to 105 mm length, measured from center of ball socket to center of damping ring (refer to Fig. item 1).



Chassis regulation

Model 107



- | | |
|--|--|
| 1 Lock | 17 Washer |
| 2 Spring | 18 Restoring spring |
| 3 Longitudinal regulating shaft | 19 Screw |
| 4 Hex. screw | 20 Washer |
| 5 Pushrod | 21a Accelerator lever lefthand steering |
| 6 Washer | 21b Accelerator lever righthand steering |
| 7 Guide lever for full throttle adjustment | 22 Cage nut |
| 8 Plastic spacer ring | 23 Lock |
| 9 Compression spring | 24 Accelerator pedal |
| 10 Plastic ball | 25 Clip |
| 11 Bearing for longitudinal regulating shaft | 26 Fastening plate |
| 12 Hex. screw | 27 Joint |
| 13 Bearing | 28 Transition switch (kickdown) |
| 14a Front wall regulating shaft lefthand steering | 29 Adjusting nut |
| 14b Front wall regulating shaft righthand steering | 30 Full throttle stop |
| 15 Hex. screw | 31 Washer |
| 16 Corrugated washer | |

B. Model 116

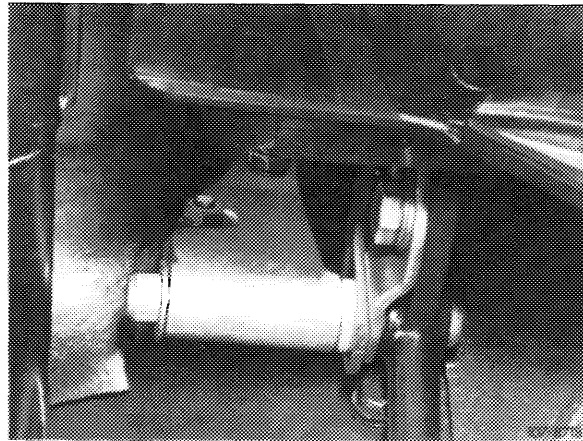
Adjusting value in mm

Length of connecting rod from accelerator pedal to guide lever	122
Length of pushrod (5)	68

Removal

- 1 Remove accelerator pedal (07.3–330).
- 2 Disconnect connecting rod.
- 3 Disconnect restoring spring, unscrew fastening nuts from bearing bracket and remove regulating shaft with bearing bracket.

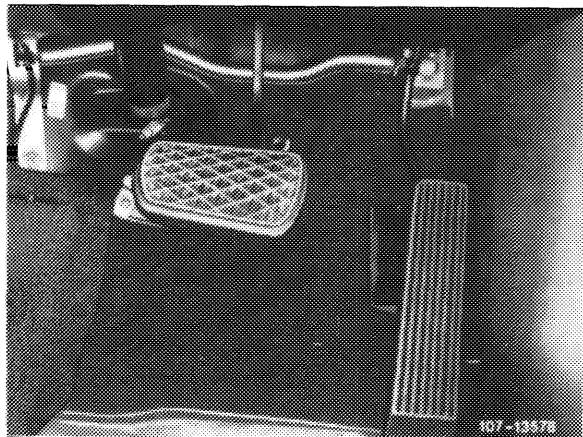
Lefthand steering



Installation

- 4 For installation proceed vice versa, while connecting restoring spring to inner hole. Grease bearing points as well as ball sockets of regulation with Molykote-Longterm 2.

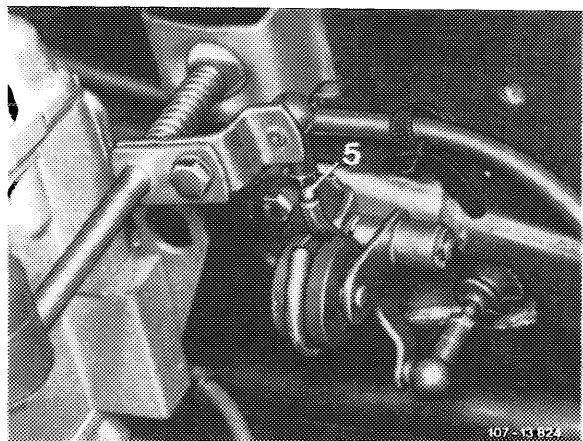
Righthand steering



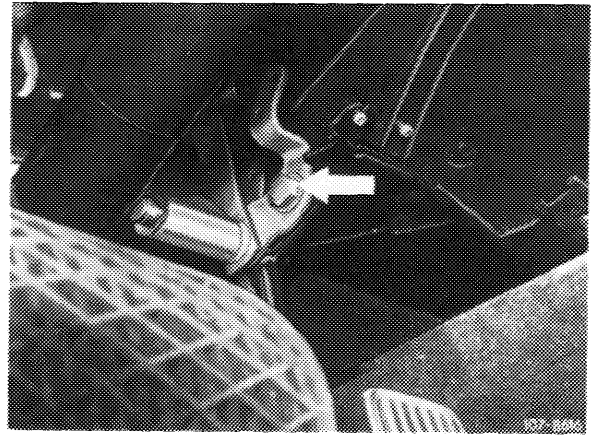
Checking and adjusting full throttle stop

- 5 With engine stopped, step on accelerator from inside vehicle up to full throttle stop or with automatic transmission up to stop on kickdown switch. Throttle valve lever should rest against full throttle stop. If required, adjust regulating linkage with adjusting screw (arrow) in such a manner that the throttle valve lever rests against full throttle stop.

If the full throttle or idle speed stop is not attained with this adjustment, adjust pushrod (5) from longitudinal regulating shaft to accelerator pedal to 68 mm in length, measured from center of ball socket to center of damping ring.

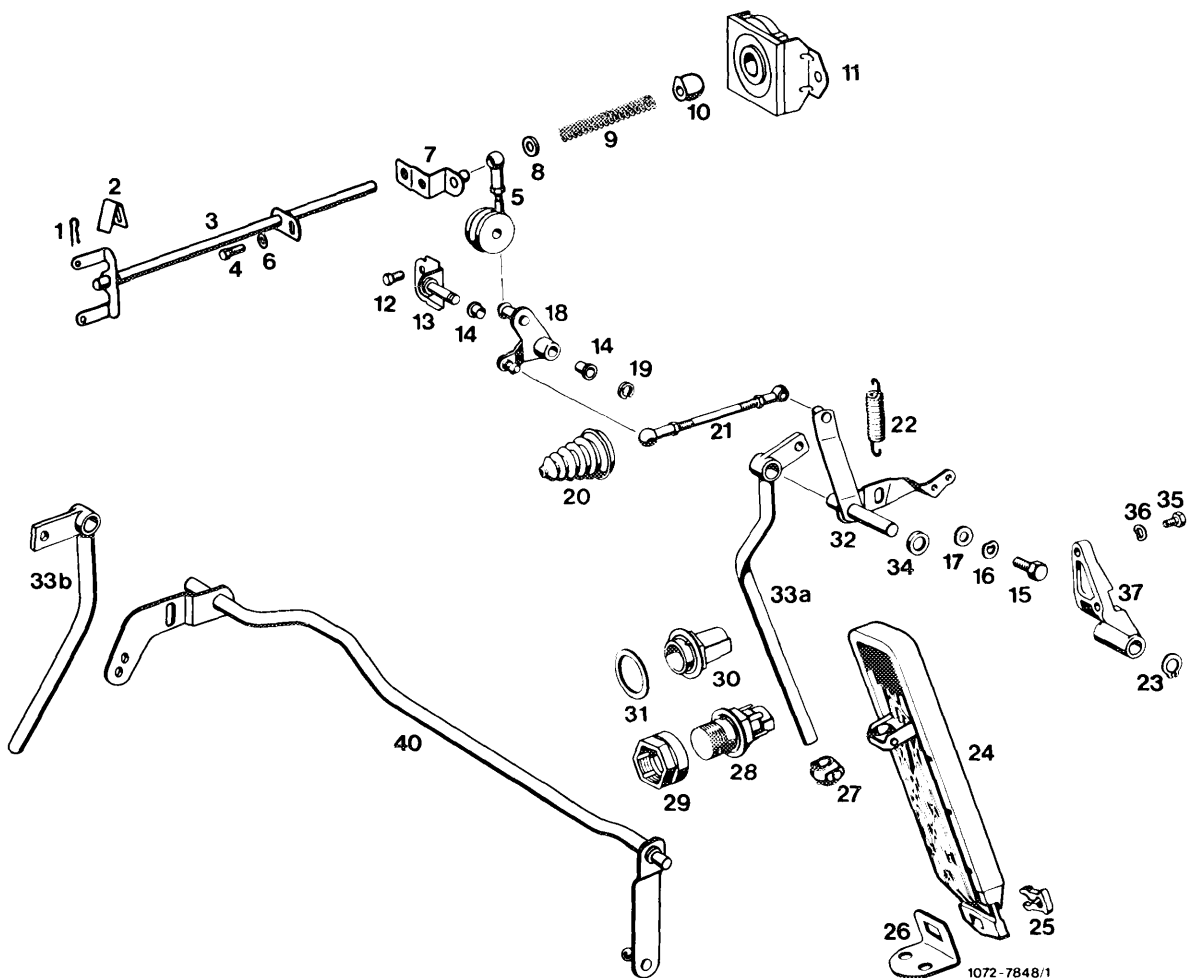


If the full throttle or idle speed stop is not attained with this adjustment, adjust connecting rod from guide lever engine compartment to accelerator pedal to 122 mm, measured from center of ball socket to center of ball socket. If required, adjust regulating lever inside vehicle. For this purpose, loosen fastening screw (arrow), pull accelerator pedal slightly in upward direction and tighten fastening screw again.



Chassis regulation

Model 116

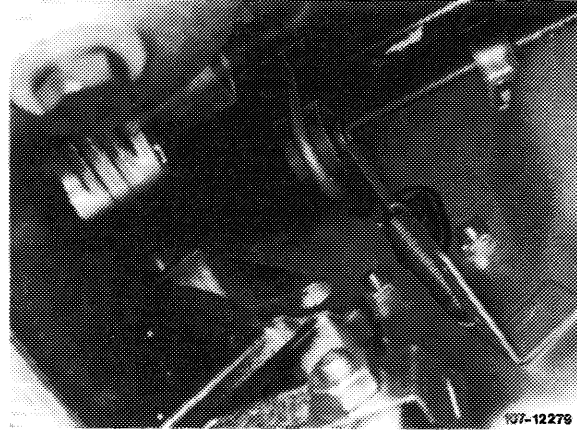


- | | | |
|--|----------------------|---|
| 1 Lock | 13 Bearing | 25 Clip |
| 2 Spring | 14 Plastic bushing | 26 Fastening plate |
| 3 Longitudinal regulating shaft | 15 Hex. screw | 27 Joint |
| 4 Hex. screw | 16 Corrugated washer | 28 Kickdown switch |
| 5 Pushrod | 17 Washer | 29 Adjusting nut |
| 6 Washer | 18 Guide lever | 30 Full throttle stop |
| 7 Guide lever for full throttle adjustment | 19 Lock | 31 Washer |
| 8 Plastic spacer ring | 20 Rubber grommet | 32 Guide lever |
| 9 Compression spring | 21 Connecting rod | 33a Accelerator lever lefthand steering |
| 10 Plastic ball | 22 Restoring spring | 33b Accelerator lever righthand steering |
| 11 Bearing for longitudinal regulating shaft | 23 Lock | 34 Plastic spacer ring |
| 12 Hex. screw | 24 Accelerator pedal | 40 Front wall regulating shaft righthand steering |

C. Model 123

Removal

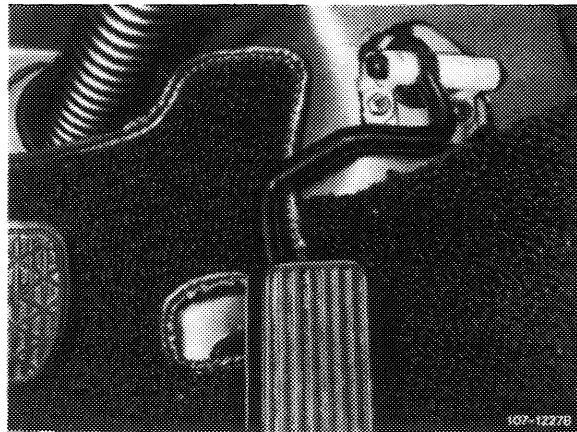
- 1 Remove accelerator pedal (07.3-330).
- 2 Disconnect restoring spring and pushrod.



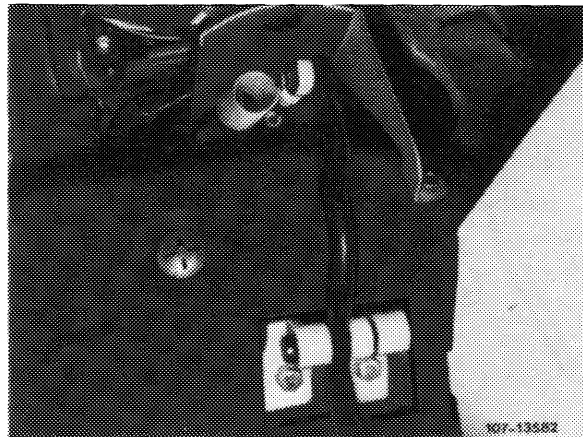
- 3 Unscrew plastic bearing inside vehicle and remove shaft by turning.

Installation

- 4 For installation proceed vice versa, while connecting restoring spring to inside hole. Grease bearing points as well as ball socket of regulation with Molykote-Longterm 2.



Left-hand steering

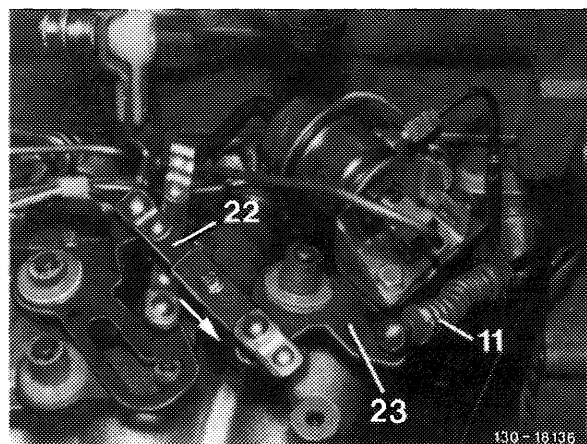


Righthand steering

Checking and adjusting full throttle stop

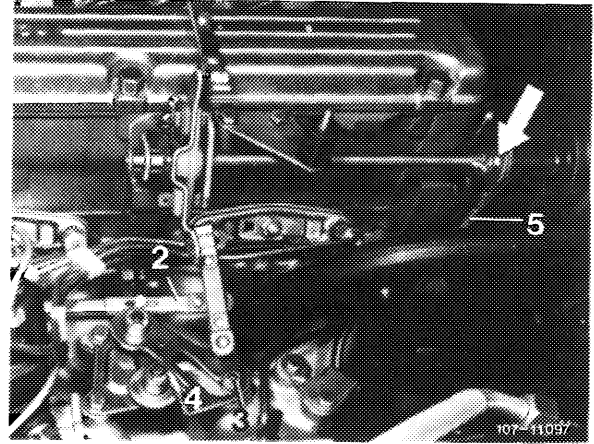
Attention!

On vehicles with automatic transmission 722.3 (W 4 A 040) disconnect Bowden wire (11) and reconnect after adjusting full throttle stop.



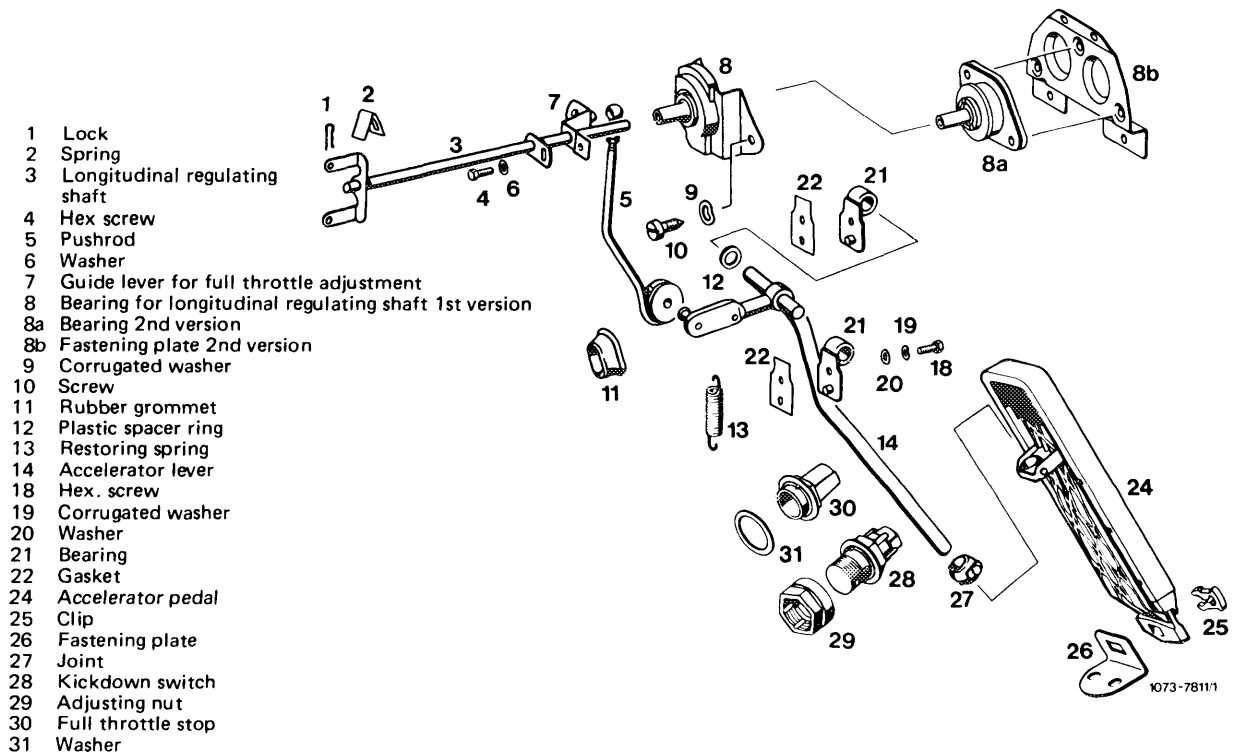
5 With the engine stopped, step on accelerator pedal from inside vehicle up to full throttle stop or with automatic transmission up to stop on kickdown switch. Throttle valve lever should rest against full throttle stop. If required, adjust regulating linkage with adjusting screw (arrow) in such a manner that the throttle valve lever rests against full throttle stop.

If the full throttle or idle speed stop is not attained with this adjustment, adjust pushrod (5) from longitudinal regulating shaft to accelerator pedal to 186 mm length, measured from center of ball socket to center of damping ring.



Chassis regulation

Model 123



D. Model 126

Adjusting values in mm

Lefthand steering

Length of pushrod (5) from longitudinal regulating shaft to accelerator pedal	220
---	-----

Righthand steering

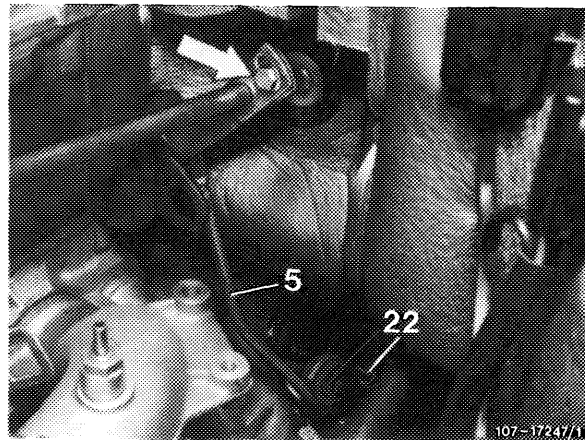
Length of connecting rod (21) from accelerator pedal to guide lever	172
---	-----

Length of connecting rod (40)	597
-------------------------------	-----

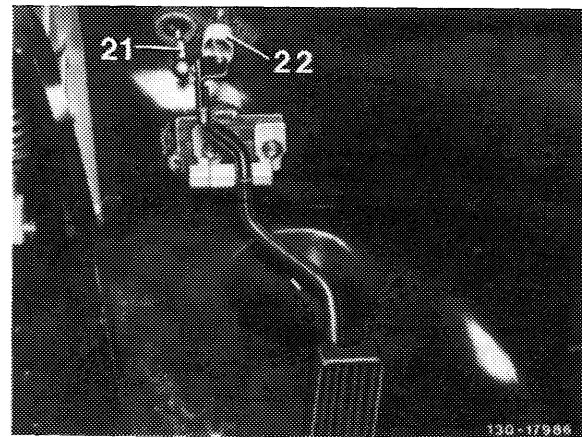
Removal

- 1 Disconnect restoring spring (22) and push off connecting rod (5 or 21).
- 2 Remove accelerator pedal (30–330).

Lefthand steering

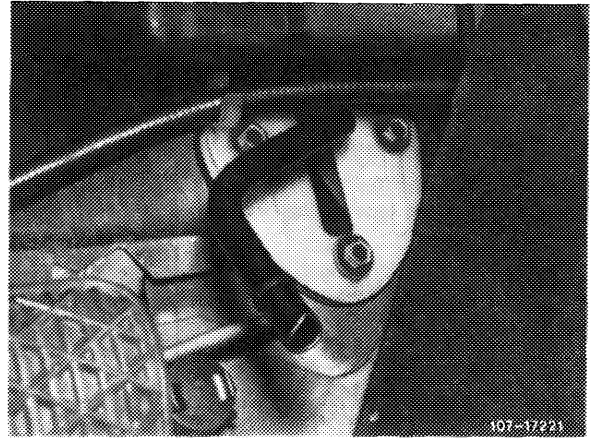


Righthand steering

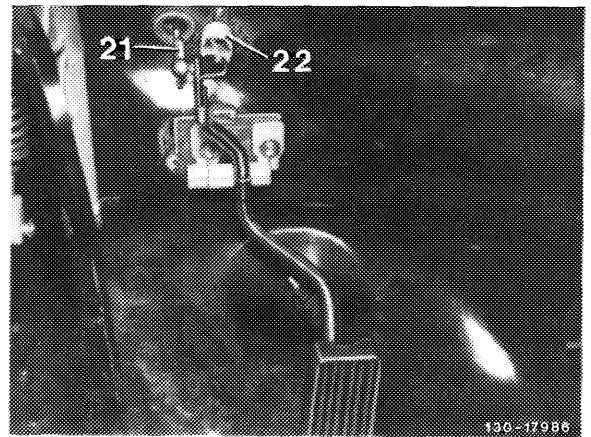


3 Unscrew fastening screws on bearing bracket, remove bearing bracket and accelerator lever.

Lefthand steering



Righthand steering

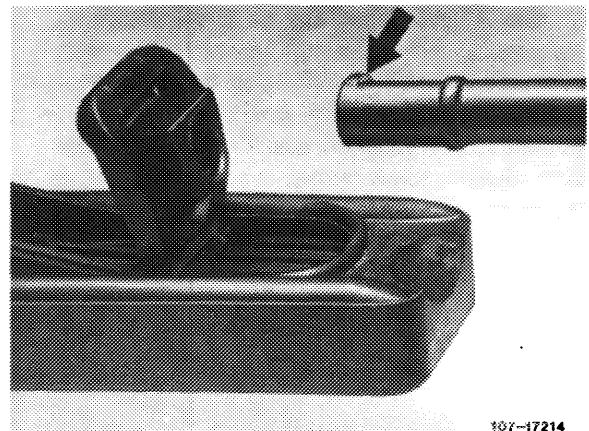


Installation

4 For installation proceed vice versa.

Grease bearing points as well as ball sockets of regulation with Molykote-Longterm 2.

The connection from accelerator lever to accelerator pedal is maintenance-free and requires no lubrication.

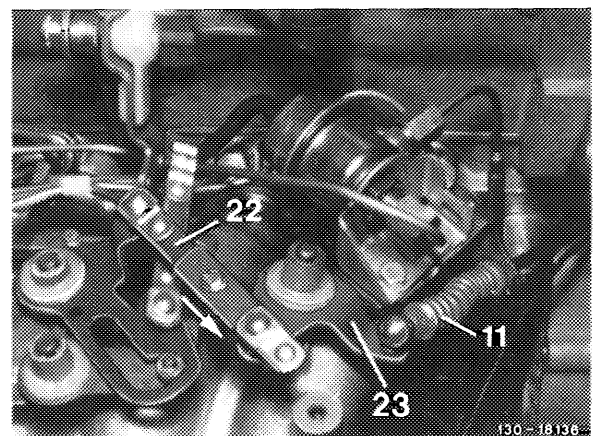


Checking and adjusting full throttle stop

Lefthand steering

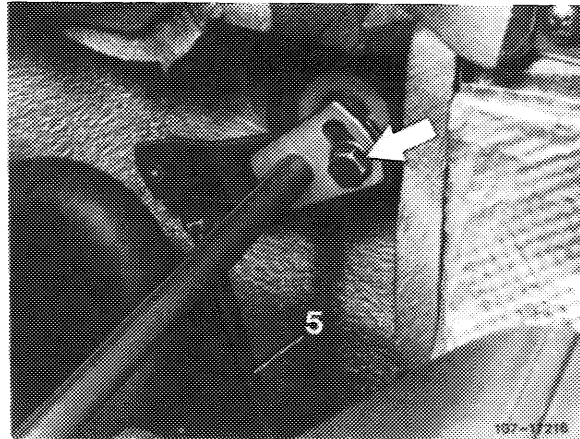
Attention!

On vehicles with automatic transmission 722.3 (W 4 A 040) disconnect Bowden wire (11) and reconnect after adjusting full throttle stop.



5 With engine stopped, step on accelerator pedal from inside vehicle up to full throttle stop or with automatic transmission up to stop on kickdown switch. Throttle valve lever should rest against full throttle stop. If required, adjust regulating linkage with adjusting screw (arrow) in such a manner that the throttle valve lever rests against full throttle stop.

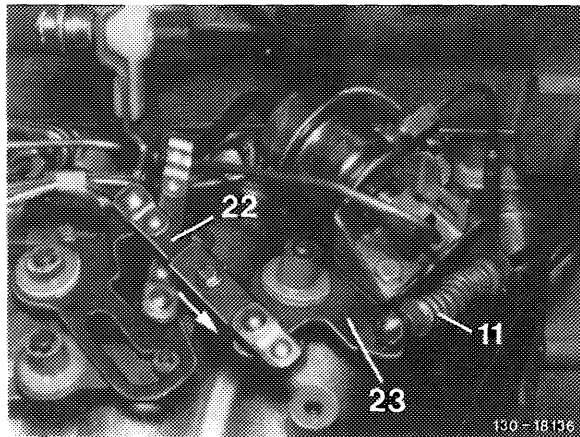
If the full throttle or idle stop is not attained with this adjustment, adjust pushrod (5) from longitudinal regulating shaft to accelerator pedal to 220 mm in length measured from center of ball socket to center of damping ring.



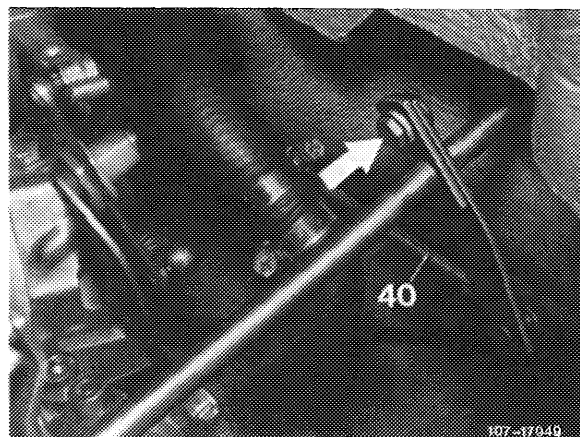
Righthand steering

Attention!

On vehicles with automatic transmission 722.3 (W 4 A 040) disconnect Bowden wire (11) and reconnect after adjusting full throttle stop.



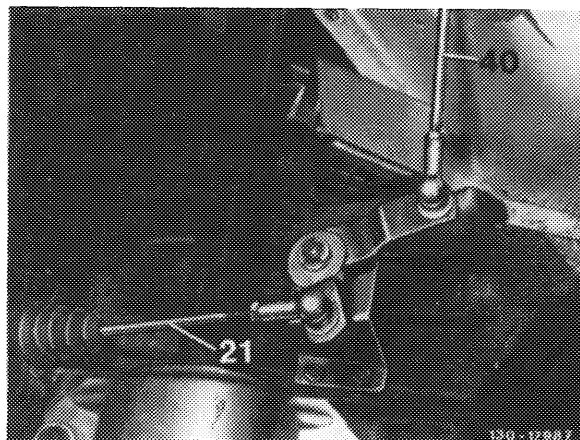
6 With engine stopped, step on accelerator pedal from inside vehicle up to full throttle stop or with automatic transmission up to stop on kickdown switch. Throttle valve lever should rest against full throttle stop. If required, adjust regulating linkage with adjusting screw (arrow) in such a manner that the throttle valve lever rests against full throttle stop.



If the full throttle or idle speed stop is not attained with the previous adjustment, adjust connecting rod (21) from guide lever engine compartment to accelerator pedal and connecting rod (40) to specified length, measured from center of ball socket to center of ball socket.

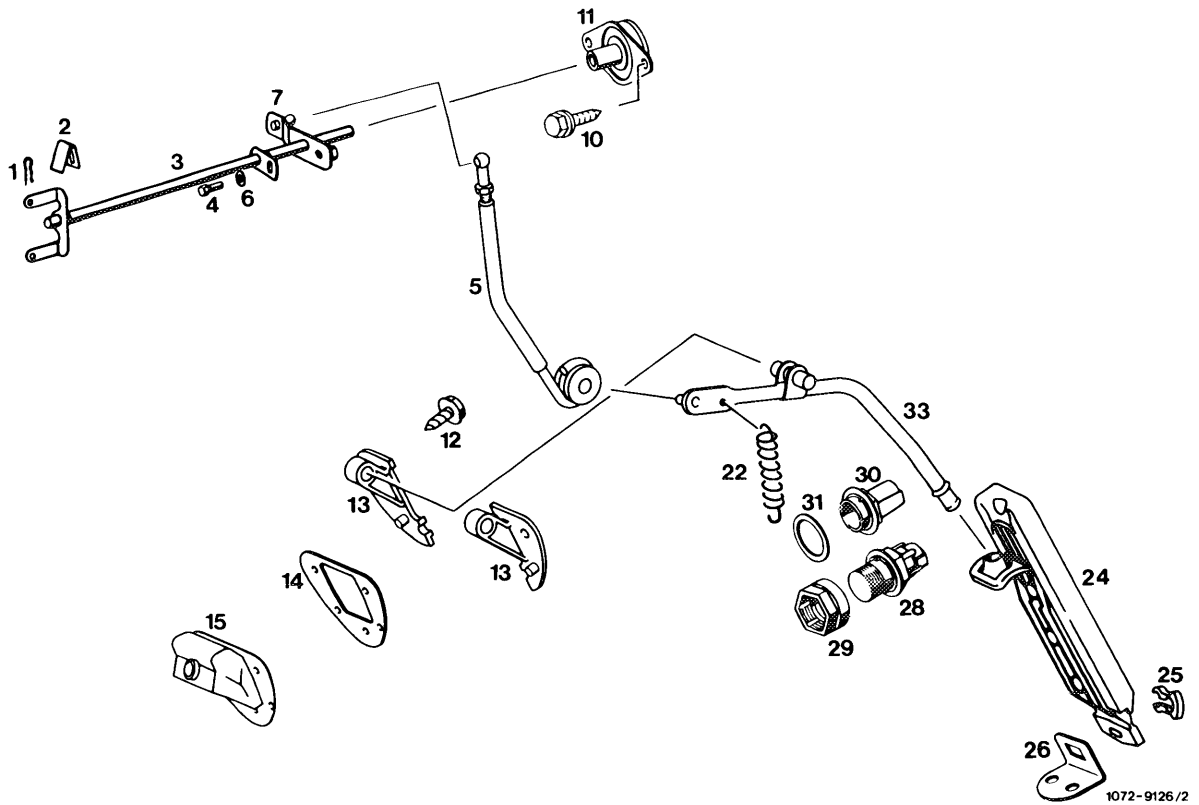
Connecting rod (21) 172 mm

Connecting rod (40) 597 mm



Chassis regulation

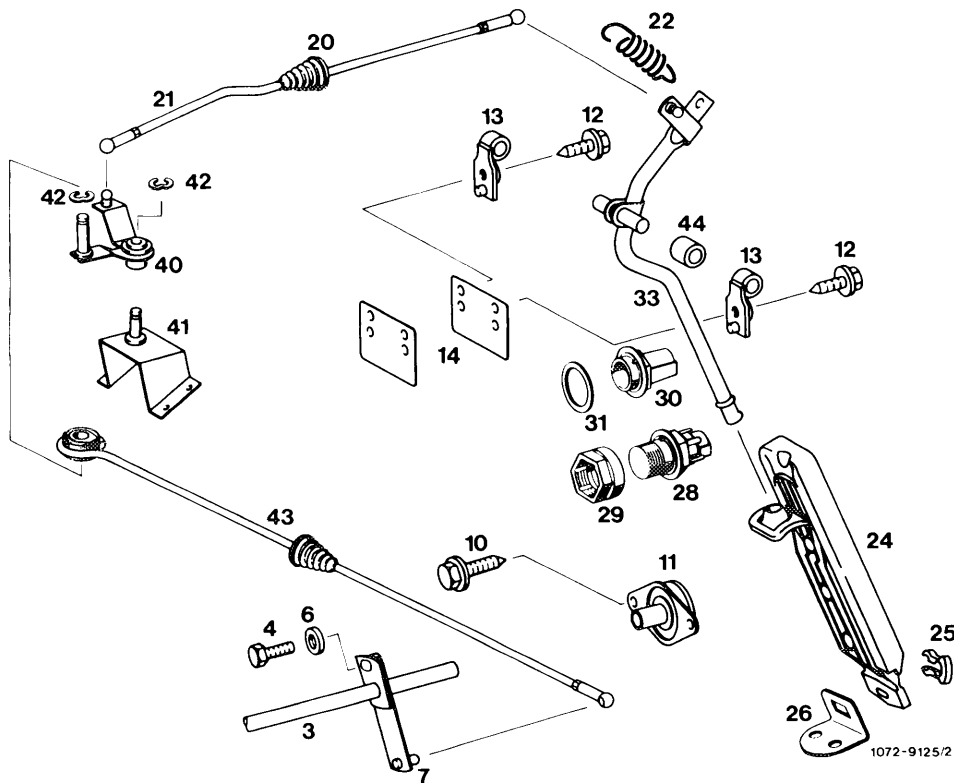
Lefthand steering model 126



- 1 Lock
- 2 Spring
- 3 Longitudinal regulating shaft
- 4 Hex. screw
- 5 Pushrod
- 6 Washer
- 7 Guide lever for full throttle adjustment
- 10 Hex. screw
- 11 Bearing for longitudinal regulating shaft
- 12 Hex. screw
- 13 Bearing

- 14 Intermediate plate
- 15 Rubber sleeve
- 22 Restoring spring
- 24 Accelerator pedal
- 25 Clip
- 26 Fastening plate
- 28 Kickdown switch
- 29 Adjusting nut
- 30 Full throttle stop
- 31 Washer
- 33 Accelerator lever

Righthand steering model 126



- | | | | |
|----|---|----|--------------------|
| 3 | Longitudinal regulating shaft | 24 | Accelerator pedal |
| 4 | Hex. screw | 25 | Clip |
| 5 | Pushrod | 26 | Fastening plate |
| 6 | Washer | 28 | Kickdown switch |
| 7 | Guide lever for full throttle adjustment | 29 | Adjusting nut |
| 10 | Hex. screw | 30 | Full throttle stop |
| 11 | Bearing for longitudinal regulating shaft | 31 | Washer |
| 12 | Hex. screw | 33 | Accelerator lever |
| 13 | Bearing | 40 | Guide lever |
| 14 | Intermediate plate | 41 | Bearing bracket |
| 15 | Rubber sleeve | 42 | Lock |
| 20 | Rubber sleeve | 43 | Connecting rod |
| 21 | Connecting rod | 44 | Spacer sleeve |
| 22 | Restoring spring | | |