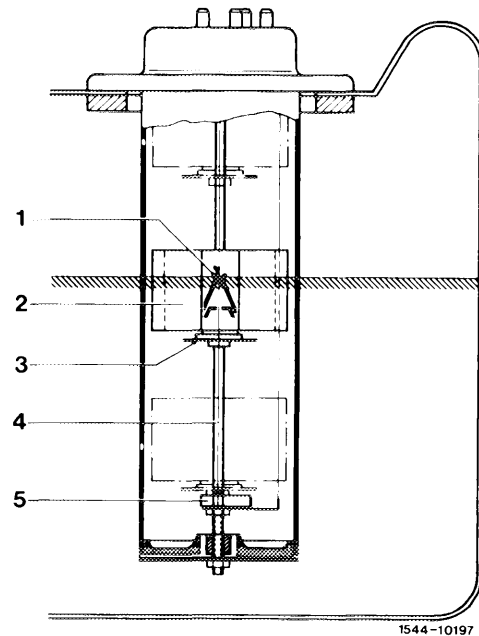


47-715 Functional description of immersion tube transmitter for fuel gage

All models

When the fuel drops, the sliding contact (1) on float (2) of immersion tube transmitter increases the resistance, the voltage drops and the needle in the instrument will swing back.

When the fuel level drops still further, the reserve warning contact (5) in immersion tube transmitter is closed and will connect the reserve warning light to ground.



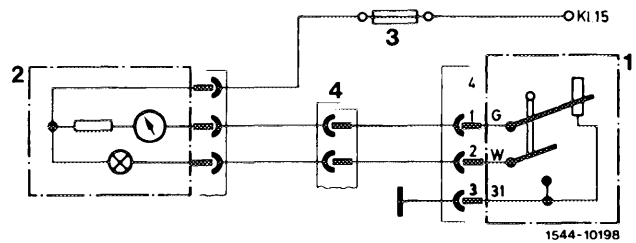
Immersion tube transmitter

- | | |
|-------------------|---------------------------|
| 1 Sliding contact | 4 Guide and contact rod |
| 2 Float | 5 Reserve warning contact |
| 3 Contact plate | |

When the ignition is switched on, the indicating instrument and the reserve warning lamp will be energized via fuse.

Sedan

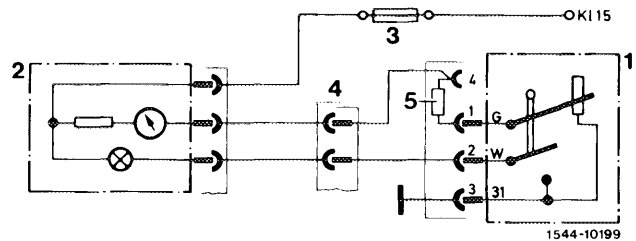
- | |
|------------------------------|
| 1 Immersion tube transmitter |
| 2 Fuel gage |
| 3 Fuse |
| 4 Cable connector |



On T-sedans and special vehicles with special body a compensating resistor 4.7Ω (color rings yellow/purple/gold/gold) is installed in coupling of immersion tube transmitter, so that in spite of different fuel tanks the same fuel gage can be used.

T-sedan and special vehicles with special body

- | |
|------------------------------|
| 1 Immersion tube transmitter |
| 2 Fuel gage |
| 3 Fuse |
| 4 Cable connector |
| 5 Resistor 4.7Ω |



Check fuel gage (54-269).

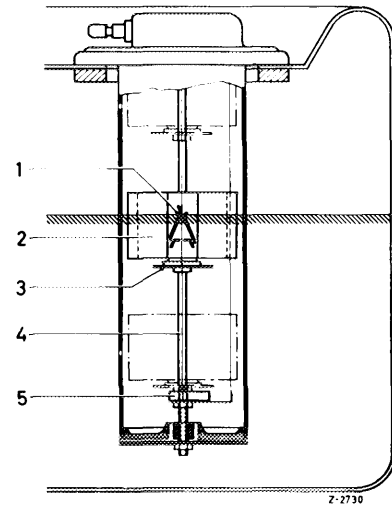
47-715 Functional description of immersion tube transmitter for fuel gauge

When the fuel level drops, the sliding contact (1) on float (2) of immersion tube transmitter increases the resistance, the voltage drops and the needle in instrument will swing back.

When the fuel level drops still further, the reserve warning contact (5) in immersion tube transmitter is closed and will connect the reserve warning light to ground.

Immersion tube transmitter

- 1 Sliding contact
- 2 Float
- 3 Contact plate
- 4 Guide and contact rod
- 5 Reserve warning contact



When the ignition is switched on, the indicating instrument and the reserve warning lamp will be energized.

- 1 Immersion tube transmitter
- 2 Fuel gauge with warning lamp in instrument cluster
- 3 Fuse

