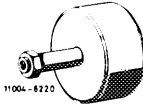


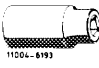


05—340 Removal and installation of slide rails

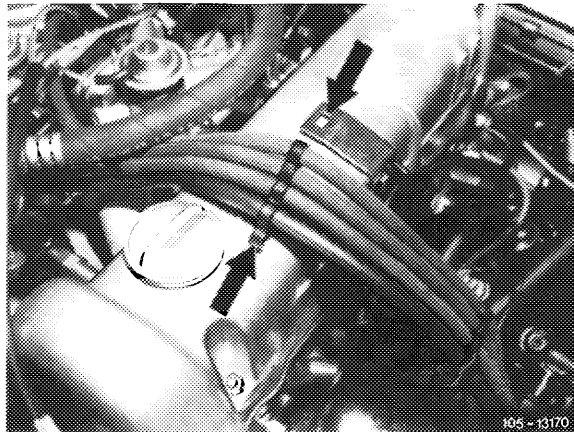
Tightening torques	Nm
Nuts for cylinder head cover	15
Necked-down screw for camshaft sprocket	80
Fastening screw intermediate sprocket	25

Special tools

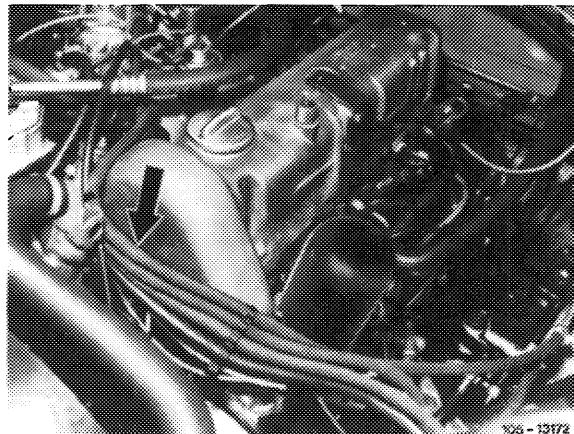
Impact puller for slide rail bearing bolt (basic unit)		116 589 20 33 00
Threaded bolt M 6 for impact puller, 50 mm long		116 589 01 34 00
Threaded bolt M 6 for impact puller, 150 mm long		116 589 02 34 00
Socket 27 mm, 1/2" square for rotating engine		001 589 65 09 00

Removing slide rails (89 and 89a)

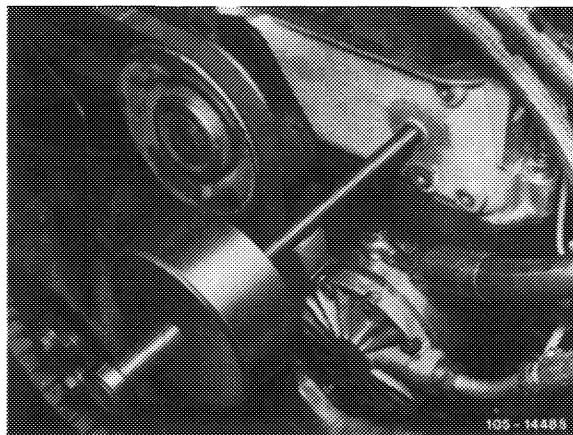
1 Remove cylinder head cover. For this purpose, on (AUS), (J), (S) and (USA) starting 1977, push out clamp assembly of fuel hoses on holder and pull down fuel hoses with clamp assembly in forward direction over cylinder head cover.



2 On model 123, remove radiator if required for reasons of space.



- 3 On (USA) 1973–1975, remove vacuum pump.
- 4 Knock out slide rail bearing bolt with impact puller.
- 5 Remove slide rail in upward direction.

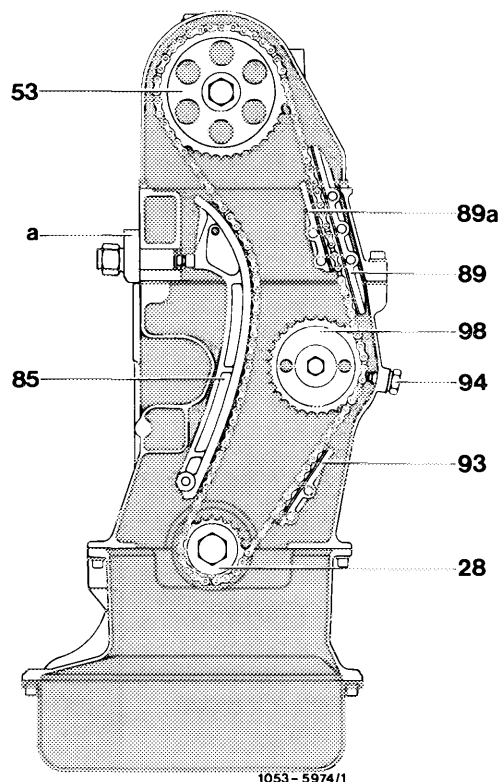


Installation

- 6 Coat bearing bolt on collar with sealing compound.
- 7 Position slide rail and knock-in bearing bolt with impact puller.

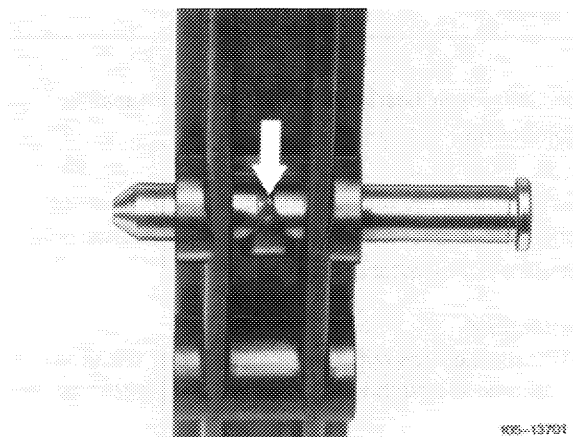
For this purpose, apply counterhold to slide rail with a screw driver.

- 28 Crankshaft sprocket
- 53 Camshaft sprocket
- 85 Tensioning rail
- 89 Outer slide rail
- 89a Inner slide rail
- 93 Slide rail
- 94 Chain locking screw
- 98 Intermediate sprocket
- a Chain tensioner



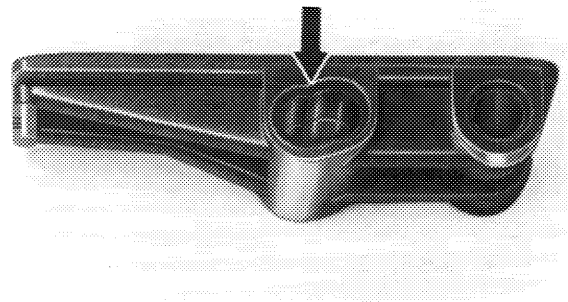
Attention!

On plastic slide rails, the locating lug of slide rail must be seated in locating groove on lower or upper bearing bolt.



Since the plastic slide rail (89a) is also installed on other engines, the upper bearing bolt bore is designed as a double bore. When installing the upper bearing bolt, make sure that the bearing bolt is seated in the correct bore.

8 Mount cylinder head cover.



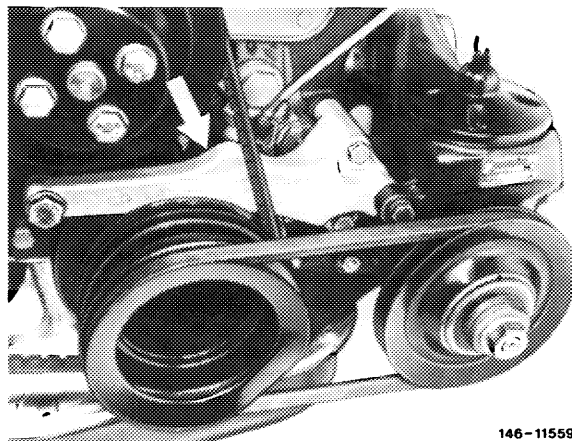
105-13709

Removing slide rail (93)

1 Remove intermediate sprocket shaft (05-412).

2 On vehicles **model 123** with power steering, remove aluminum carrier of power steering pump (arrow).

Note: Not applicable on (AUS), (J), (S) and (USA) starting 1977.

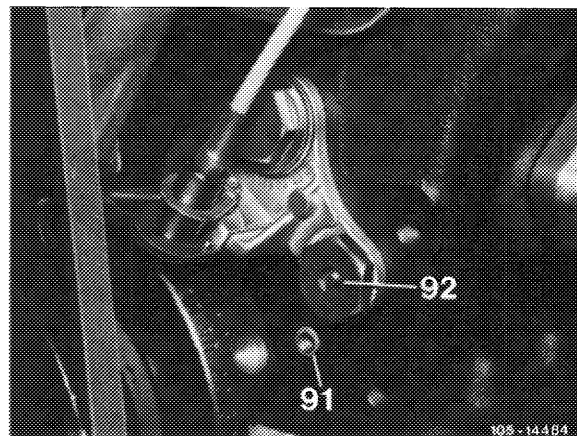


146-11559

3 Knock-out bottom bearing bolt (91) with impact puller.

4 Unscrew upper bearing bolt (92).

5 Remove slide rail in upward direction through opening for intermediate sprocket.



105-14484

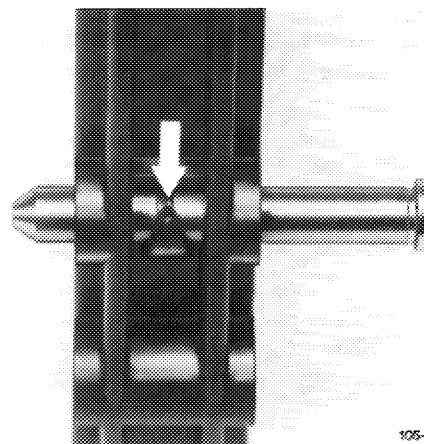
Installation

6 Coat lower bearing bolt on collar with sealing compound.

7 Position slide rail and knock-in bottom bearing bolt with impact puller, while applying counterhold to slide rail by means of a screw driver.

Attention!

With plastic slide rail, the locating lug of the slide rail should be seated in locating groove on bottom bearing bolt.



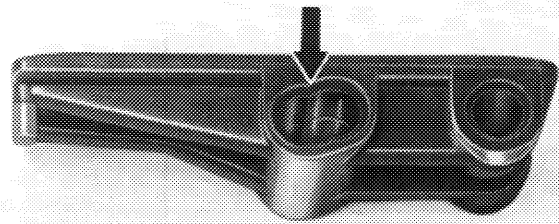
105-13701

8 Position upper bearing bolt and screw-in.

Note: Since the plastic slide rail is also installed on other engines, the upper bearing bolt bore is designed as a double bore. When inserting upper bearing bolt, make sure that the bearing bolt is seated in the correct bore.

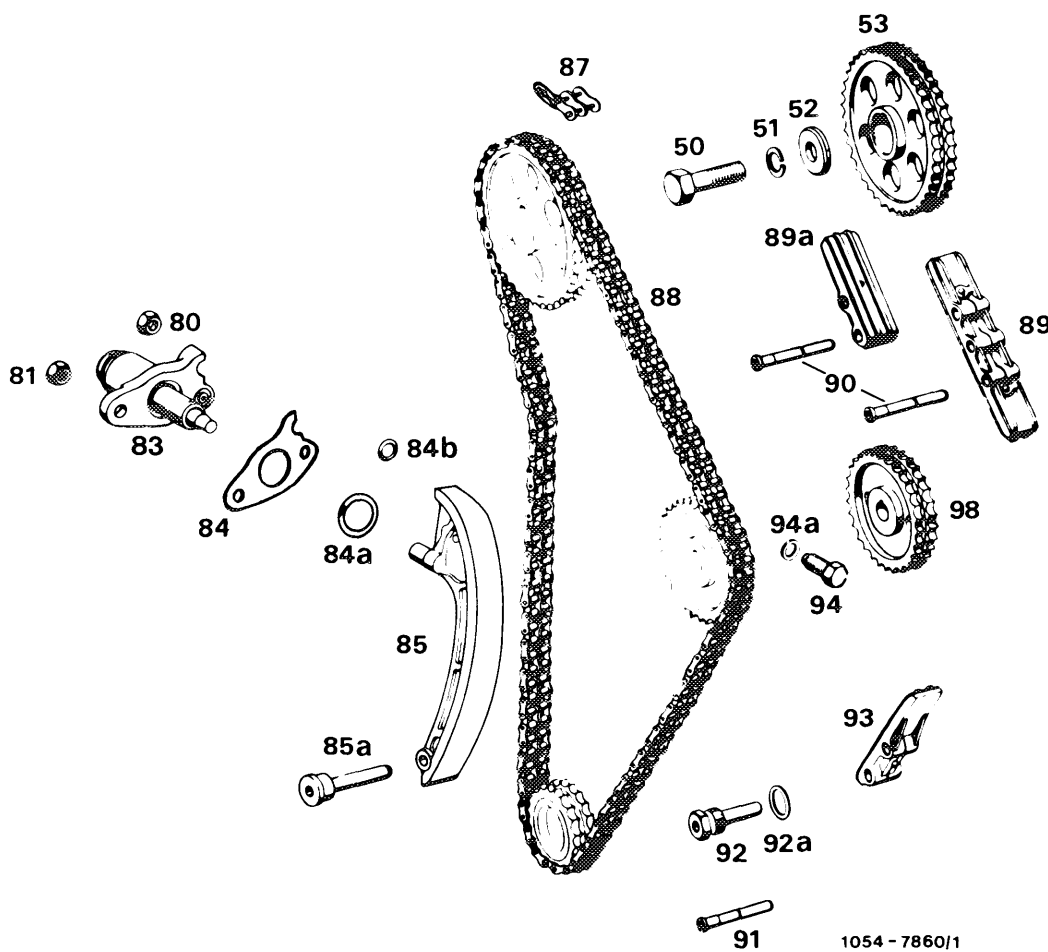
9 For further installation proceed vice versa to the sequence of removal.

10 Check firing point (07.5--510).



1055-13708

Timing chain, tensioning and slide rails



1054 - 7860/1

- 50 Necked-down screw M 14 x 1.5 x 40
- 51 Circlip B 14
- 52 Compensating washer
- 53 Camshaft sprocket
- 80 Nut
- 81 2 nuts M 8
- 83 Chain tensioner housing
- 84 Gasket
- 84a O-ring
- 84b O-ring
- 85 Tensioning rail
- 85a Bearing bolt

- 87 Connecting link
- 88 Timing chain
- 89 Outer slide rail
- 89a Inner slide rail
- 90 4 bearing bolts
- 91 Bearing bolt
- 92 Closing plug with bearing bolt
- 92a Sealing ring
- 93 Slide rail
- 94 Chain locking screw
- 94a Sealing ring A 12 x 17
- 98 Intermediate sprocket