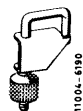


## 07.2-212 Removal and installation of fuel pump

### Special tool

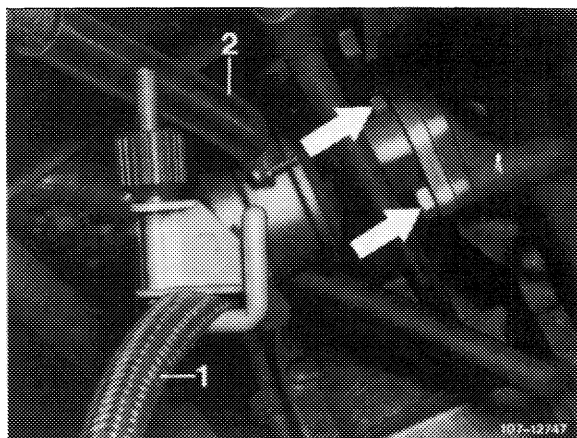
Clamp



000 589 40 37 00

### Removal

- 1 Pinch suction hose. Pull off suction and pressure hose.
- 2 Unscrew fastening screws (arrows), remove fuel pump and sealing flange.

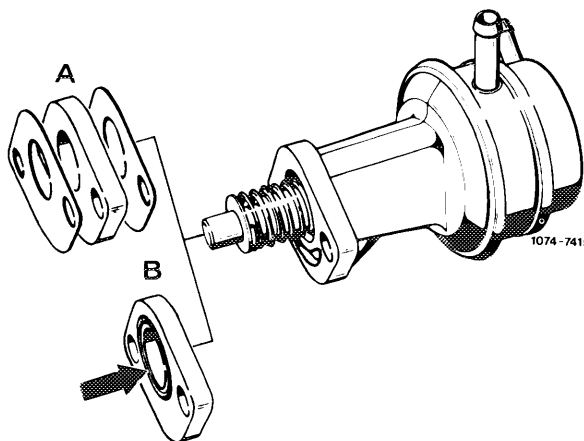


### Installation

- 3 For installation proceed vice versa.

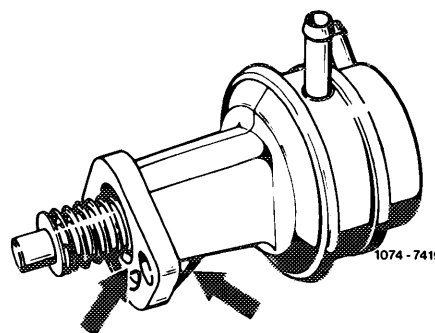
**Note:** For better sealing, a sealing flange (B) with 2 rubber sealing rings (arrow) is installed since May 1976. The former sealing flange (A) had been used with 2 paper gaskets.

A Former version  
B New version



The new sealing flange with rubber sealing rings may be installed only together with a fuel pump provided with reinforcing ribs (arrows).

On vehicles, where up to now a sealing flange with two paper gaskets or one rubber sealing ring and a paper gasket at crankcase end has been installed, check whether rubber sealing ring at crankcase end is resting with its **entire circumference** on crankcase, that is, whether rubber sealing ring is sealing, prior to installation sealing flange with rubber sealing ring on both sides.



For this purpose, clean sealing surface on crankcase and coat rubber sealing ring e.g. with chalk, talcum or indian ink. Push sealing flange with rubber sealing ring against crankcase. For centering, use the two fastening bolts. Then evaluate mounting surface. If the rubber sealing ring is not resting against entire circumference, remove rubber sealing ring at crankcase end from sealing flange and install a gasket 180 091 01 80.

Coat screws for attaching fuel pump to crankcase prior to assembly with sealing compound (e.g. Hylomar) on threads.

### Spring-loaded oil wiper ring

Start of series: December 1978

To prevent oil leaks on pump plunger, the sealing lip of oil scraper ring on Pierburg fuel pump is spring-loaded (arrow).

### Spare part

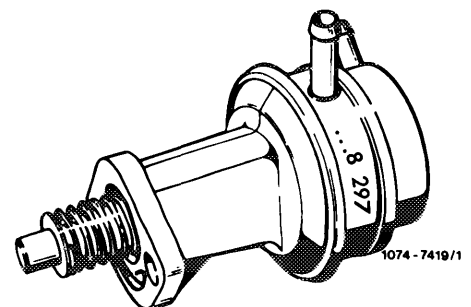
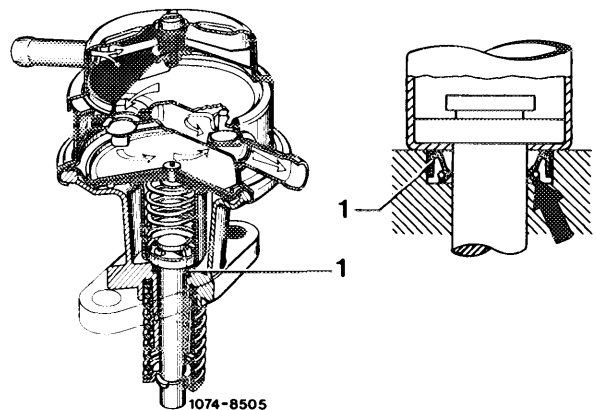
Part number remains the same.

The fuel pump is not available as a single spare part. It is contained in scope of delivery of fuel pump 115 090 00 50.

### Identification

The fuel pump with spring-loaded oil scraper ring is installed starting production date "8 297" and recognized thereby.

Fuel pumps with "yellowish" casting base are also provided with the resilient oil scraper ring.



Production date