

## 22–215 Removal and installation of front engine stop

### Tightening torques

	Nm
Nut (32) for adjusting screw, model 115	90
Screws (35), model 115	20
Adjusting screw (31), model 123	130
Screw (35), model 123	30

### Special tools

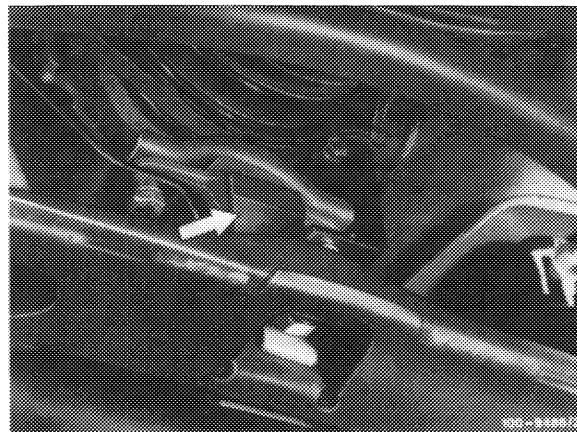
Torque wrench with inserting ratchet, 1/2" square, 25–130 Nm	001 589 66 21 00
Torque wrench with inserting ratchet, 1/2" square, 40–200 Nm	001 589 67 21 00



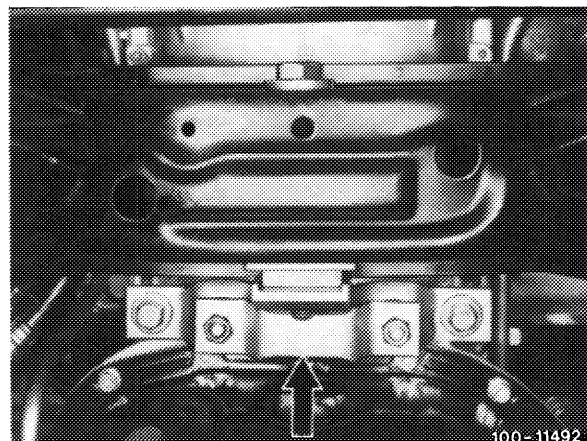
### Note

On model 115.015 the engine stop is attached to face end of engine and on model 123 underneath engine between oil pan and cross member.

Model 115.015

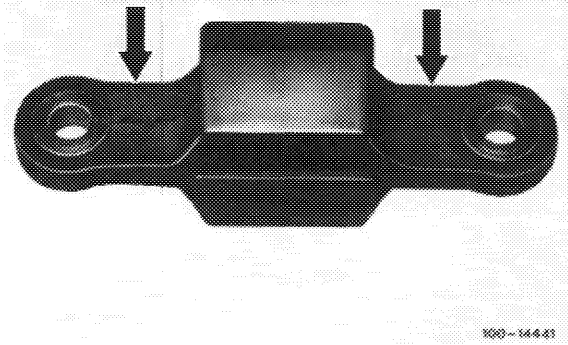


Model 123



Replace all engine stops on which the fastening arms (arrows) have become porous or cracked.

Proceed likewise when the vulcanized plastic pads are worn.

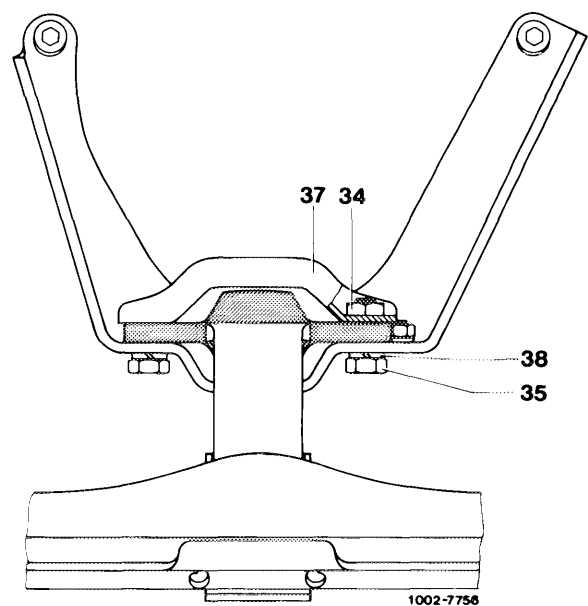
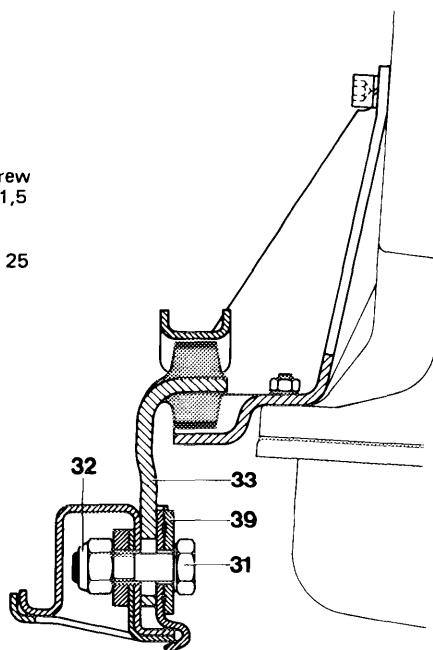


### Model 115.015

#### Removal

- 1 Unscrew nut (32) and pull out adjusting screw (31).
- 2 Remove plate (39).
- 3 Unscrew nut (34) and pull out screw (35).
- 4 Remove engine stop (33) and bracket (37).

- 31 Adjusting screw
- 32 Nut M 12 x 1,5
- 33 Engine stop
- 34 Nut M 8
- 35 Screw M 8 x 25
- 37 Clamp
- 38 Circlip
- 39 Plate



## **Installation**

---

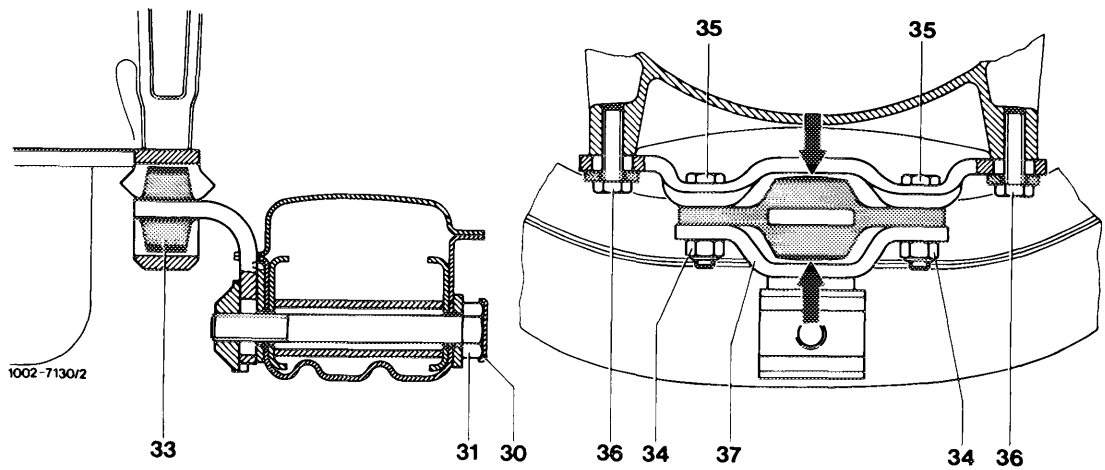
- 5 Insert engine stop (33) and position clamp (37).
- 6 Insert screw (35) and position nuts.
  
- 7 Insert plate (39) and adjusting screw (31).
- 8 Screw-on nut (32), do not tighten.
- 9 Adjust engine stop (22–220).
- 10 Tighten screws (35) and nut (32) to specified torque.

## **Model 123**

### **Removal**

---

- 1 Turn steering completely to the left or right.
- 2 Lift lock (30) on front engine stop and swivel away in lateral direction. Unscrew adjusting screw (31).
- 3 Unscrew nuts (34).
- 4 Remove engine stop (33) with clamp (37).



- 30 Lock
- 31 Adjusting screw
- 33 Engine stop
- 34 Nut M 8
- 35 Screw M 8 x 32
- 36 Screw M 8 x 32
- 37 Clamp

### Installation

- 5 Position engine stop (33) and clamp (37).
- 6 Insert screws (35) and position nuts (34).
- 8 Adjust engine stop (22–220).
- 9 Tighten nuts (34) and adjusting screw (31) to specified torque.