

22–220 Adjustment of engine stop

Tightening torques

		Nm
Nut (32) to front engine stop (reference value)	Model 115	90
Adjusting screw (31) to front engine stop	Model 123	130
Adjusting screw (11) on rear engine mount	Model 123	40
	Model 115	30

Special tools

Torque wrench with inserting ratchet,
1/2" square, 25–130 Nm

001 589 66 21 00

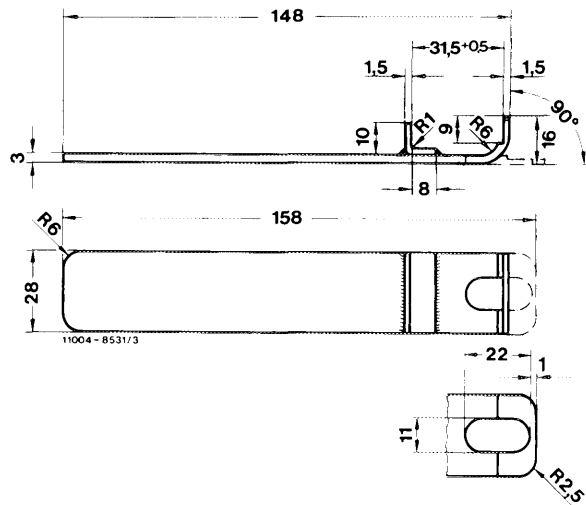
Torque wrench with inserting ratchet,
1/2" square, 40–200 Nm

001 589 67 21 00



Self-made tool

Gauge for adjusting front engine stop,
model 123



Note

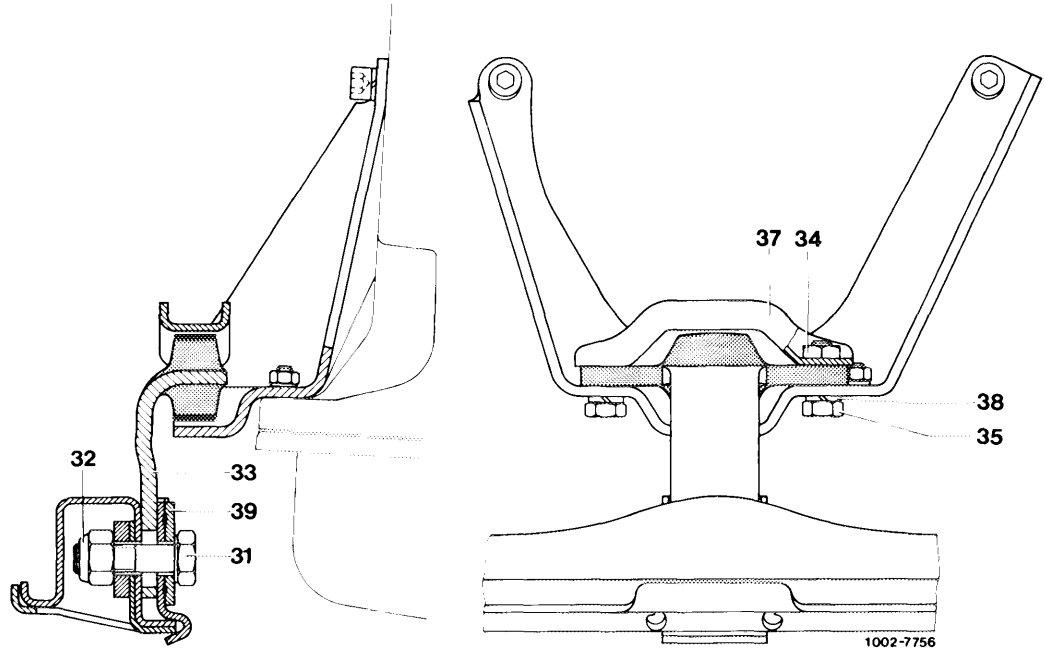
Vehicle should rest on its wheels ready for driving.

Engine stops must not be treated with grease or oil, since this will result in destruction of rubber and/or in separation of the plastic lamellae vulcanized-in.

Model 115

Adjustment

Front engine mount
model 115.015



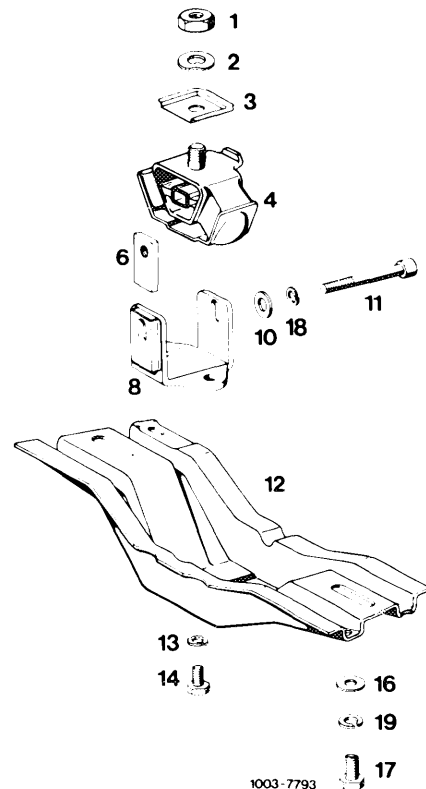
1 On model 115.015, completely loosen nut (32) on front engine stop.

2 On all models (except model 115.017 with manual transmission), completely loosen adjusting screw (11) on rear engine mount.

3 Move engine by lightly shaking crosswise manually.

4 Tighten adjusting screw (11) and nut (32) to specified torque.

Note: Torque wrench cannot be positioned against nut (32).

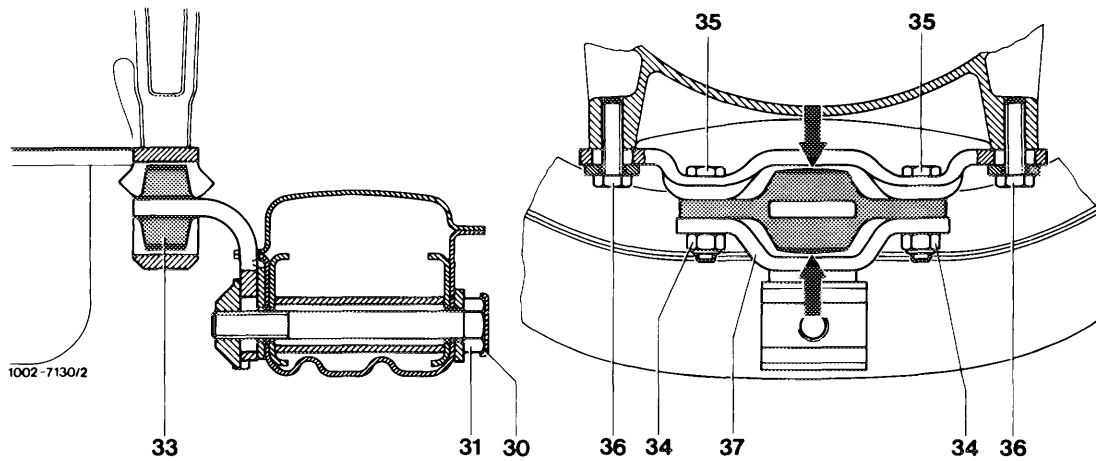


Rear engine mount with stop

Model 123

Adjustment

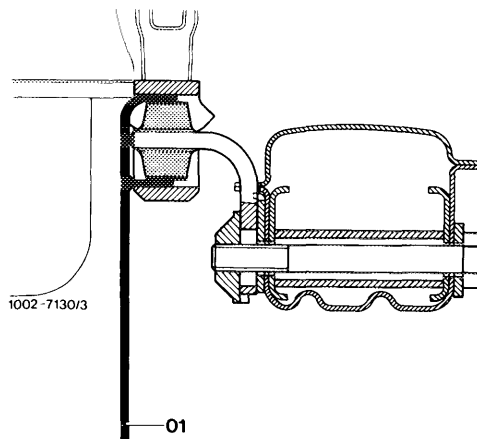
Front engine stop



- 1 Completely turn steering to the left or right.
- 2 Lift lock (30) on front engine stop and swivel away in lateral direction. Completely loosen adjusting screw (31).

Note: Loosen engine stops sticking to frame cross member by wax and paint.

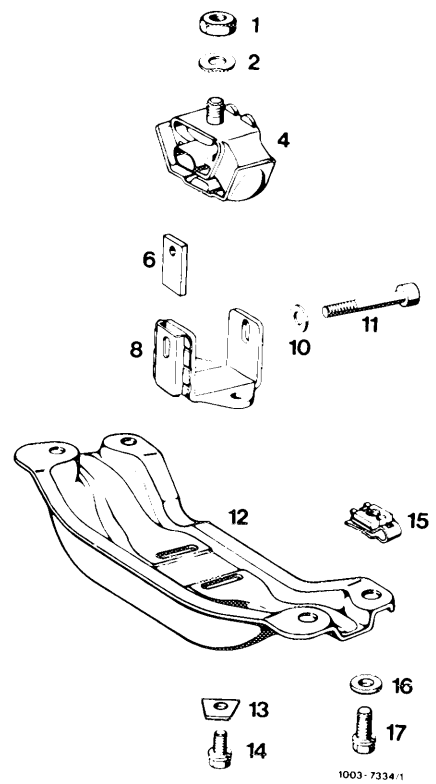
- 3 Completely unscrew adjusting screw (11) on rear engine mount (figure item 6).
- 4 Insert self-made gauge (01) at front engine stop.
- 5 Move engine by lightly shaking crosswise manually.



6 Tighten adjusting screw (11) at rear engine mount to specified torque.

7 Tighten adjusting screw (31) at front engine stop to specified torque and secure by lock (30).

8 Lift-off self-made gauge.



Rear engine mount with stop
on vehicles with automatic transmission