

33–300 Adjustment of wheel bearing end play

Data

Wheel bearing end play	0.01–0.02
------------------------	-----------

Lubricants

Quantity	In wheel cap: Grease quantity approx. 15 g (approx. up to beaded edge)
----------	--

Series grade: up to October 1982	Anti-friction bearing grease (refer to Specifications for service products sheet 265)
-------------------------------------	---

Series grade: starting November 1982 and repair grade	High-temperature anti-friction bearing grease (refer to Specifications for service products sheet 265.1) ¹⁾
--	--

¹⁾ Available in screw cans of 150 g, part no. 000 989 49 51.


Tightening torque

Nm

Hex socket screw of clamping nut	14
----------------------------------	----

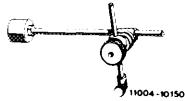
14

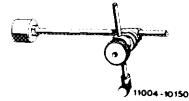
Special tools

Pulling and mounting tool for wheel cap		116 589 22 33 00
---	--	------------------



116 589 22 33 00

Holder for dial gauge for adjusting wheel bearing end play		363 589 02 21 00
---	---	------------------



363 589 02 21 00

Conventional tool

Dial gauge A 1 DIN 878	e.g. made by Mahr, D-7300 Esslingen order no. 810
------------------------	--

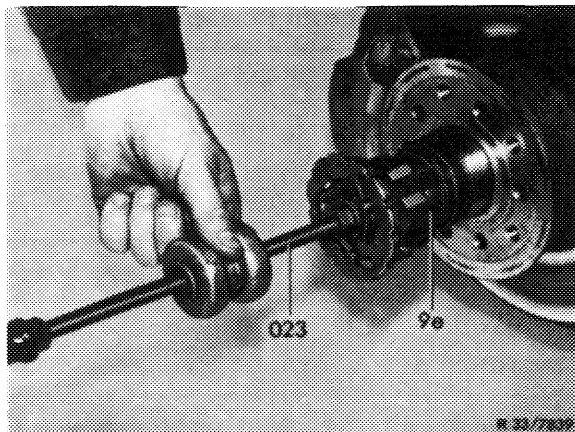
e.g. made by Mahr, D-7300 Esslingen
order no. 810

Note

To prevent mix-ups, fill front wheel hubs during repairs suitably with high-temperature anti-friction bearing grease only. When subsequently using high-temperature anti-friction bearing grease in front wheel hubs which were previously filled with anti-friction bearing grease or multi-purpose grease, replace complete grease charge throughout. Avoid mixing high-temperature anti-friction bearing grease with anti-friction bearing grease or multi-purpose grease.

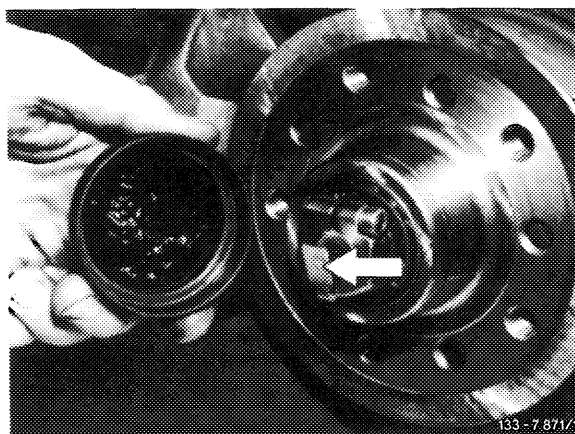
1 Jack up vehicle, remove front wheel.

2 Pull off wheel cap with tool (023).

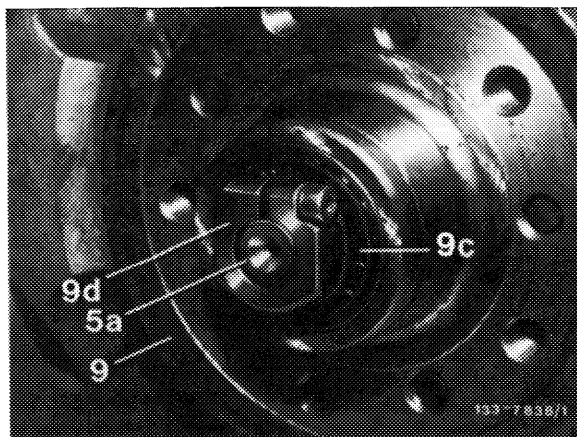


3 Remove contact spring for radio suppression (arrow).

4 Push brake pads away from brake disc (42-160).

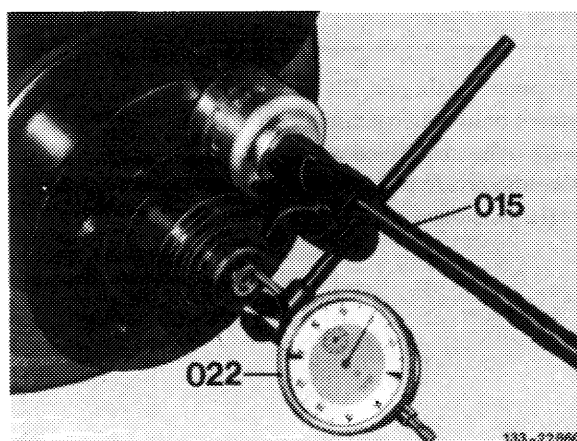


5 Loosen hex socket screw of clamping nut (9d) and tighten clamping nut while simultaneously rotating hub (9) in such a manner that the hub can be turned with considerable effort only. Then screw clamping nut back for approx 1/3 turn and release tension by applying a blow with a plastic hammer against wheel spindle (5a).



6 Place test instrument (015) on front wheel hub and set dial gauge (022) to approx. 2 mm preload.

Note: For measuring wheel bearing play, the test instrument (015), part no. 116 589 12 21 00, valid up to now, may also be used.



7 Check end play of wheel hub by pulling and pushing on flange.

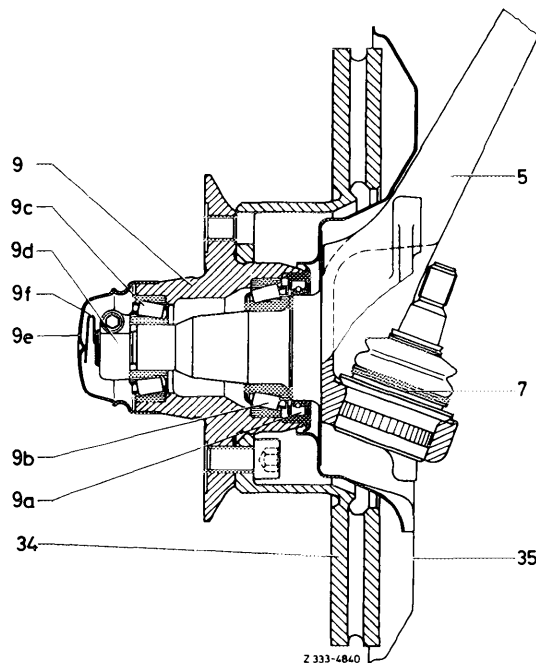
Rotate wheel hub several times prior to each measurement.

Attention!

While measuring, make sure that wheel hub is not rotating. Any rotary movement of wheel hub is indicated on dial gauge, so that accurate reading of actual end play will not be possible.

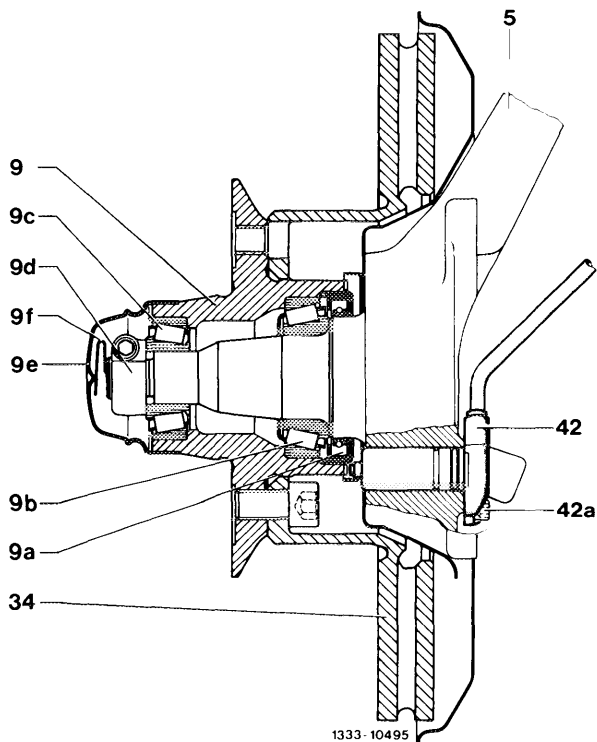
Front wheel hub without ABS

- 5 Steering knuckle
- 7 Supporting joint
- 9 Front wheel hub
- 9a Radial sealing ring
- 9b Tapered roller bearing inside
- 9c Tapered roller bearing outside
- 9d Clamping nut
- 9e Wheel cap
- 9f Contact spring
- 34 Brake disc
- 35 Cover plate



Front wheel hub with ABS

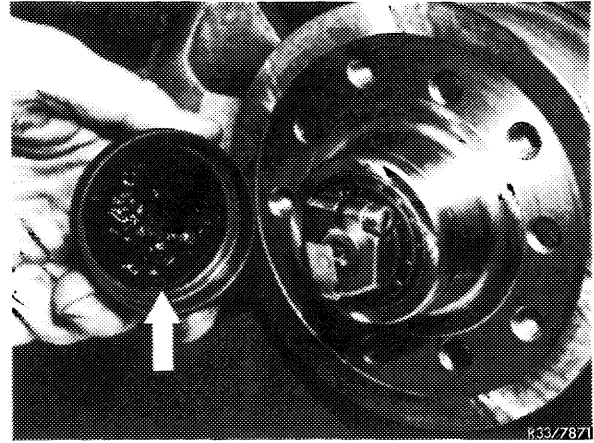
- 5 Steering knuckle
- 9 Front wheel hub
- 9a Radial sealing ring
- 9b Tapered roller bearing inside
- 9c Tapered roller bearing outside
- 9d Clamping nut
- 9e Wheel cap
- 9f Contact spring
- 34 Brake disc
- 42 Rpm sensor
- 42a Hex. socket screw



8 Tighten hex socket screw of clamping nut and check end play once again.

9 Insert contact spring for radial interference suppressor.

10 Fill wheel cap approx. up to beaded edge with specified grease.



11 Mount wheel cap with tool (023).

12 Mount front wheel, lower vehicle.

