

33–310 Removal and installation of front wheel hub

Data

Wheel bearing end play	0.01–0.02
------------------------	-----------

Lubricants

Quantity	In wheel cap: Grease quantity approx. 15 g (approx. up to edge of bead)
Series grade: up to October 1982	Anti-friction bearing grease (refer to Specifications for service products sheet 265).
Series grade: starting November 1982 and repair grade	High-temperature anti-friction bearing grease (refer to Specifications for service products sheet 265.1) ¹⁾

¹⁾ Available in screw cans of 150 g, part no. 000 989 49 51.

Tightening torques

Nm

Hex bolts for caliper	115
-----------------------	-----

Hex socket screw of clamping nut	14
----------------------------------	----

Special tools

Pulling and mounting tool for front wheel cap		116 589 22 33 00
---	--	------------------

Puller for front wheel hub		116 589 17 33 00
----------------------------	---	------------------

Puller for tapered roller bearing inner race	basic tool		001 589 36 33 00
---	------------	---	------------------

	collet		000 589 00 34 00
--	--------	---	------------------

Holder for dial gauge for adjusting wheel bearing end play		363 589 02 21 00
---	---	------------------

Conventional tool

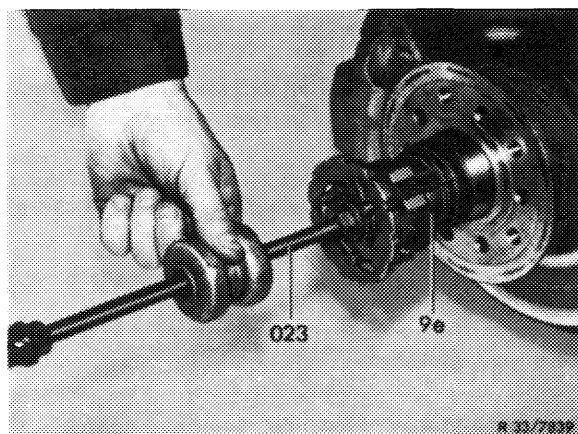
Dial gauge A 1 DIN 878	e.g. made by Mahr, D-7300 Esslingen order no. 810
------------------------	--

Note

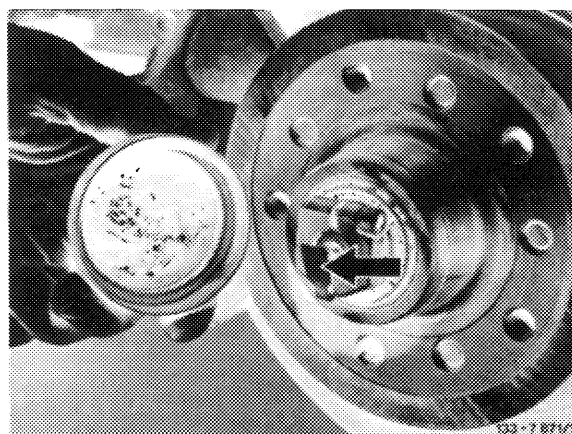
To prevent mix-ups, fill front wheel hubs during repairs suitably with high-temperature anti-friction bearing grease only. When subsequently using high-temperature anti-friction bearing grease in front wheel hubs which were previously filled with anti-friction bearing grease or multi-purpose grease, replace complete grease charge throughout. Avoid mixing high-temperature anti-friction bearing grease with anti-friction bearing grease or multi-purpose grease.

Removal

- 1 Jack up vehicle, remove front wheel.
- 2 Pull off wheel cap (9 e) with tool (023).



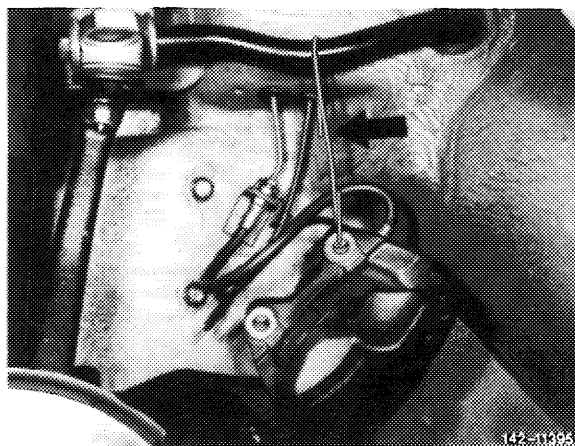
- 3 Remove contact spring for radio interference suppressor.



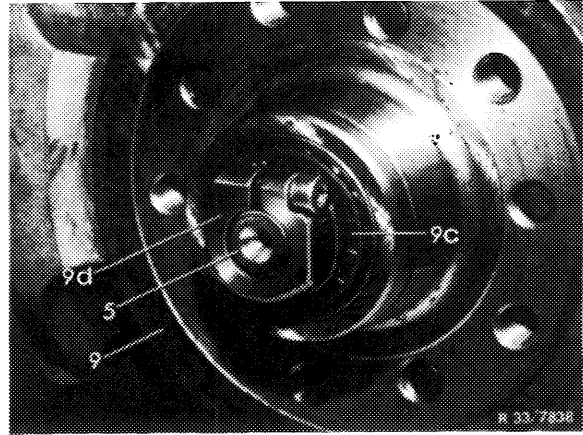
- 4 Unscrew brake caliper from steering knuckle and attach to wheelhouse by means of a suitable hook.

Attention!

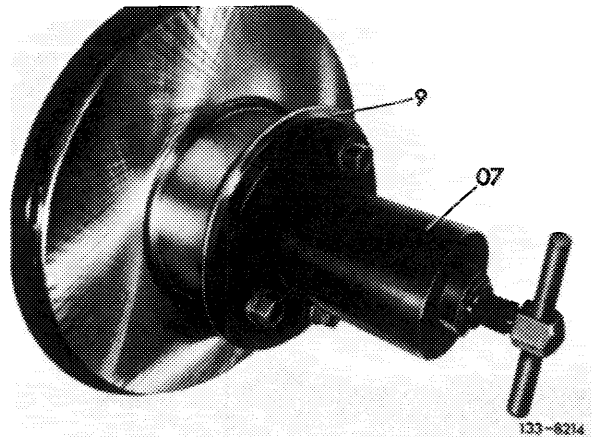
Do not subject brake hose to tensile stresses!



5 Loosen hex socket screw of clamping nut (9 d) on wheel spindle (5), unscrew clamping nut.

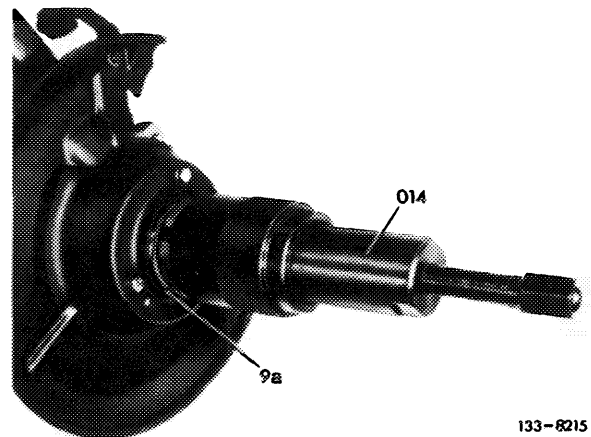


6 Pull off front wheel hub (9) together with brake disc, using puller (07), if required.



7 Additional jobs with tapered roller bearing inner race stuck on steering knuckle:

- a Pull tapered roller bearing inner race from steering knuckle by means of tool (014).
- b Remove radial seal (9 a) from steering knuckle.

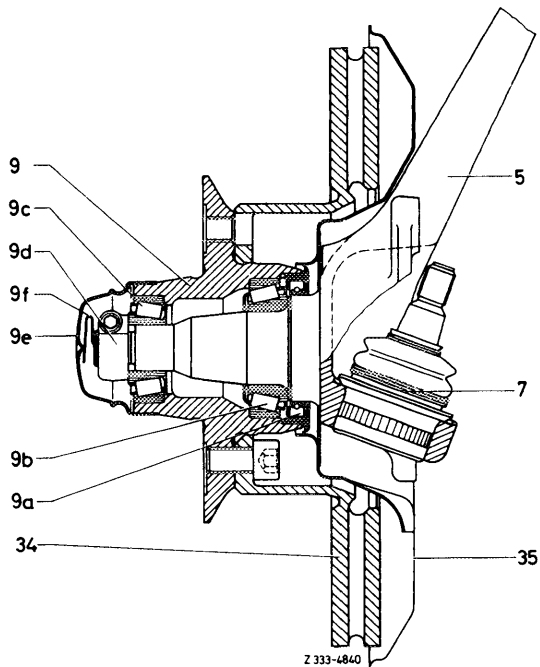


8 Check front wheel hub, tapered roller bearing and radial sealing ring (33-320).

9 Check brake disc (42–220).

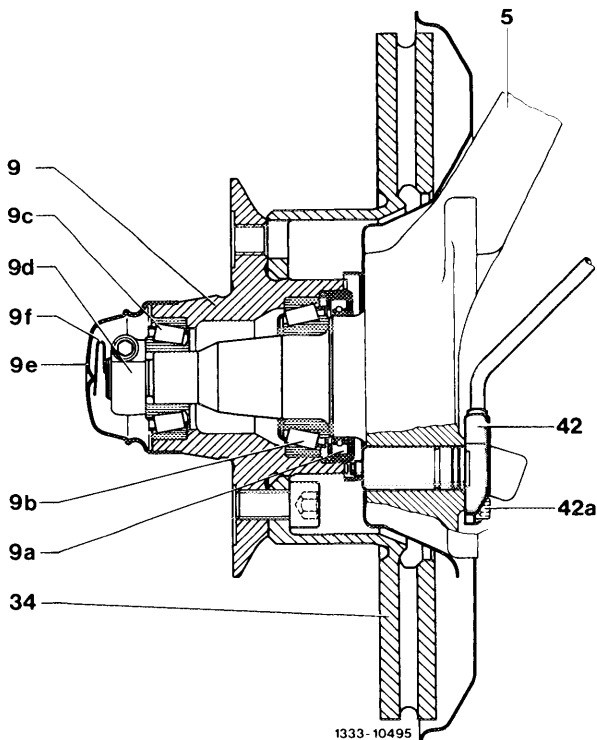
Front wheel hub without ABS

- 5 Steering knuckle
- 7 Supporting joint
- 9 Front wheel hub
- 9a Radial sealing ring
- 9b Tapered roller bearing, inner
- 9c Tapered roller bearing, outer
- 9d Clamping nut
- 9e Wheel cap
- 9f Contact spring
- 34 Brake disc
- 35 Cover plate



Front wheel hub with ABS

- 5 Steering knuckle
- 9 Front wheel hub
- 9a Radial sealing ring
- 9b Tapered roller bearing, inner
- 9c Tapered roller bearing, outer
- 9d Clamping nut
- 9e Wheel cap
- 9f Contact spring
- 34 Brake disc
- 42 Rpm sensor
- 42a Hex. socket screw



Installation

10 If required, install tapered roller bearing inner race of inner tapered roller bearing and radial sealing ring into front wheel hub (33–320).

11 Coat running surface for radial sealing ring on wheel spindle lightly with grease.

12 Push front wheel hub with screwed-on brake disc on wheel spindle, insert inner race with roller cage of outer tapered roller bearing and screw-on clamping nut.

13 Adjust wheel bearing end play (33–300).

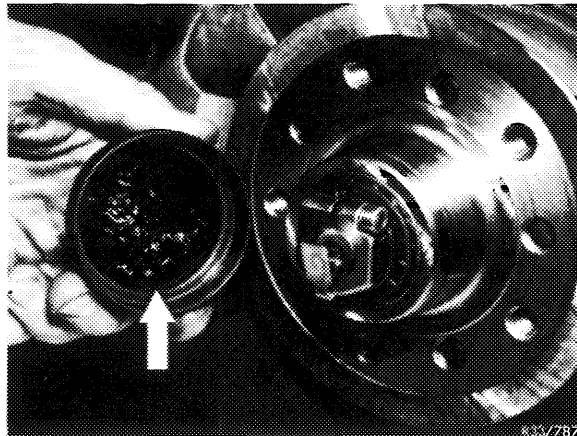
14 Fasten brake caliper to steering knuckle by means of self-locking fitted screws (42–100).

Attention!

Do not twist brake hose and do not subject to tensile stresses.

15 Insert contact spring for interference suppressor.

16 Fill wheel cap with specified grease.



17 Mount wheel cap with tool (023).

18 Mount front wheel, lower vehicle.

