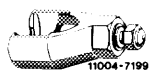


33–400 Removal and installation of steering knuckle

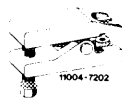
Tightening torques	Nm
Hex nut of guide joint	40
Hex nut of supporting joint	80
Hex bolts of caliper	115
Hex bolts of steering knuckle arm	80

Special tools

Remover for supporting joint		116 589 09 33 00
------------------------------	-----------------------------------------------------------------------------------	------------------



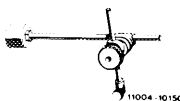
Remover for guide joint of steering knuckle		116 589 16 33 00
---------------------------------------------	-----------------------------------------------------------------------------------	------------------



Puller and remover for wheel cap		116 589 22 33 00
----------------------------------	-------------------------------------------------------------------------------------	------------------



Holder for dial gauge for adjusting wheel bearing end play		363 589 02 21 00
------------------------------------------------------------	-------------------------------------------------------------------------------------	------------------



Conventional tools

Dial gauge A 1 DIN 878	e.g. made by Mahr, D-7300 Esslingen order no. 810
------------------------	---------------------------------------------------

Self-made tool

Spacing plate	refer to illustration item 13
---------------	-------------------------------

Notes

Loosen hex nuts on supporting and guide joint with the front spring installed only when the supporting jacks are resting against lower control arms instead of frame floor; if not, remove front spring.

Do not press off guide joint with front axle halves free of load, since this will damage rubber sleeve.

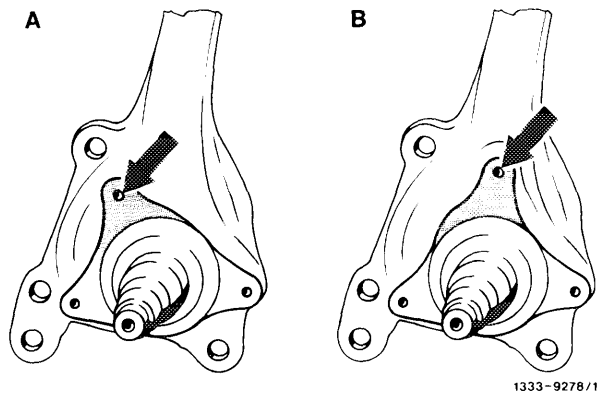
During assembly jobs, immediately replace damaged sleeves of supporting or guide joint (33–430).

Do not replace damaged or leaking sleeves on joints which have already been used. In such a case, always replace supporting joint or upper control arm.
 Be sure to replace self-locking nuts and bolts!

Modified steering knuckles and brake covering plates

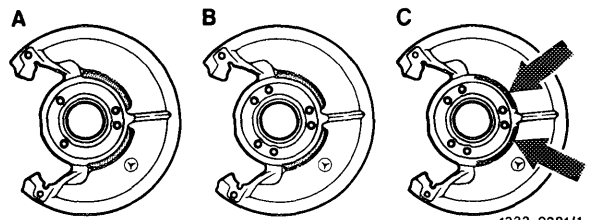
Since January 1980, uniform brake covering plates with vent slots (C-arrows) and modified steering knuckles (arrow) are installed.

- A Steering knuckle 1st version (to May 1979)
 - B Steering knuckle 2nd version (starting June 1979)
- Fig. shows righthand steering knuckle



1333-9278/1

- A Brake covering plate 1st version with 4 fastening holes (up to February 1979)
- B Brake covering plate 2nd version with 6 fastening holes (starting March 1979)
- C Brake covering plate 3rd version with 6 fastening holes (starting January 1980)



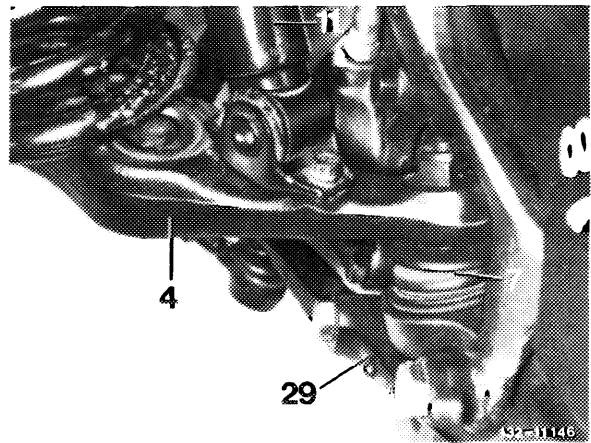
1333-9281/1

When installing a steering knuckle of 2nd version, use a brake covering plate with 6 fastening holes (2nd or 3rd version). Covering plates of 2nd and 3rd version can also be mounted on a steering knuckle 1st version.

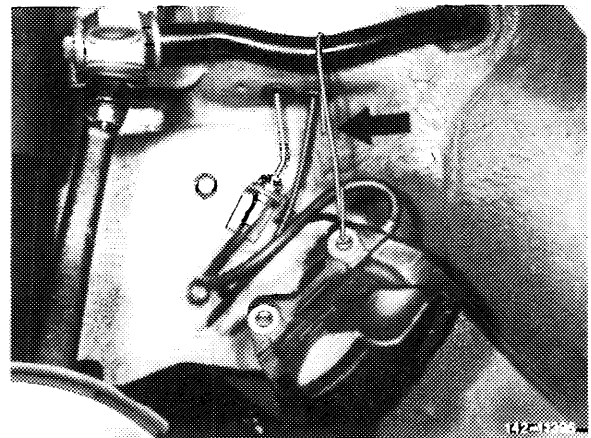
Removal

1 Jack up vehicle at the front, place supporting jacks outside against lower control arms. Remove front wheel.

2 Unscrew steering knuckle arm (29) from steering knuckle.

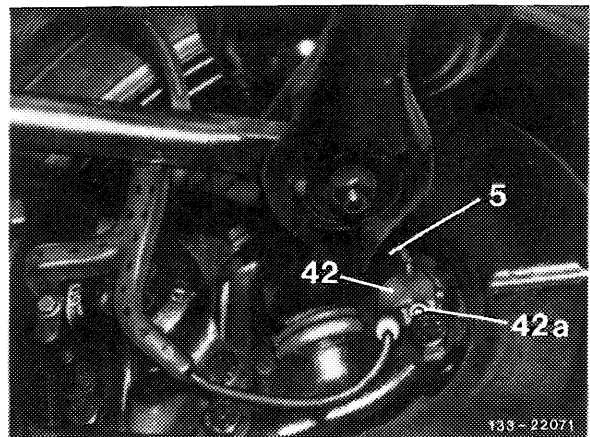


3 Unscrew brake caliper from steering knuckle and attach to torsion bar by means of a suitable hook. Do not expose brake hose to tensile stress.

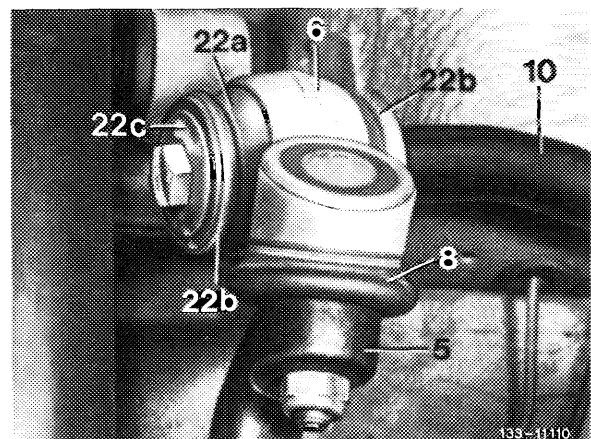


Nota: On vehicles with ABS, additionally remove rpm sensor (42) from steering knuckle. For this purpose, loosen hex. socket screw (42a) (42-712).

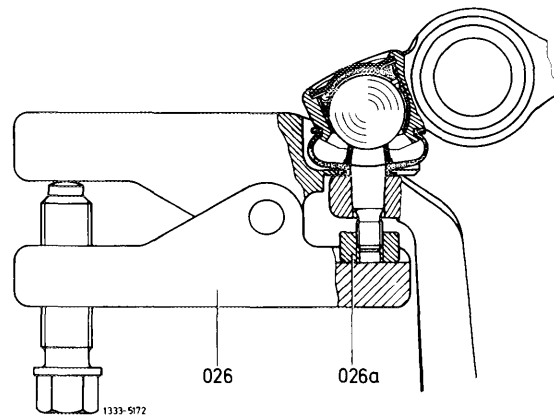
4 Remove front wheel hub (33-310).



5 Loosen hex nut on guide joint (8) and remove joint from steering knuckle by means of tool.



026 Remover
026a Thrust piece

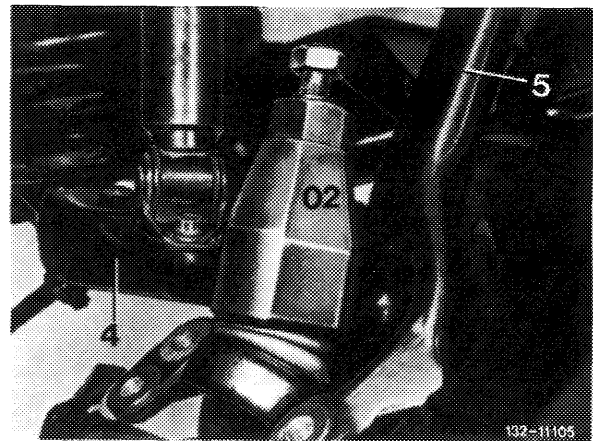


6 Loosen hex nut on supporting joint.

7 Swing steering knuckle (5) at top slightly outwards and force supporting joint from lower control arm (4) by means of tool (02).

8 Remove steering knuckle.

9 If required, unscrew cover plate from steering knuckle.



Installation

10 Check supporting joint in steering knuckle (33-425).

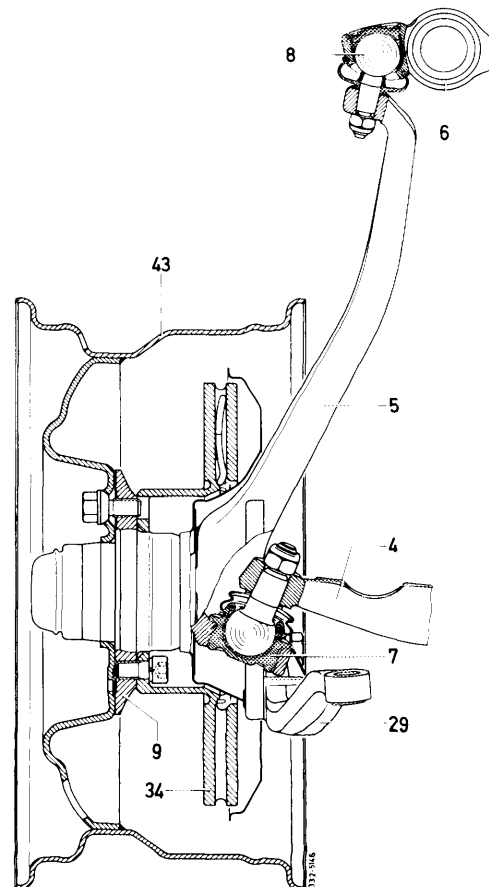
11 Check cover plate and screw to steering knuckle.

12 Attach steering knuckle to lower and upper control arm.

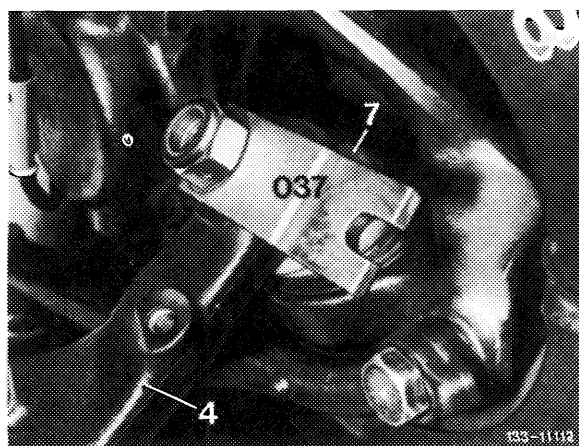
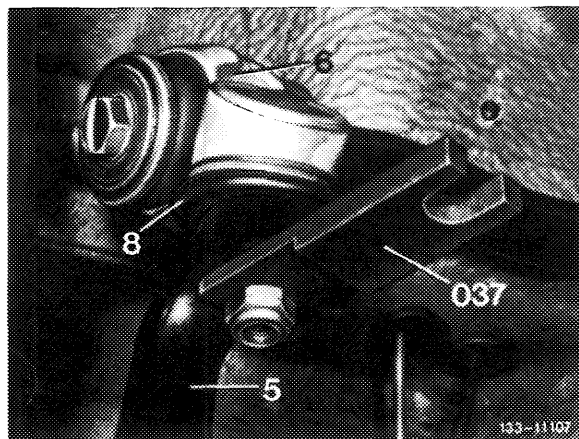
Attention!

Keep cone of ball pins and seats in steering knuckle or lower control arm free of grease. Use new self-locking hex nuts.

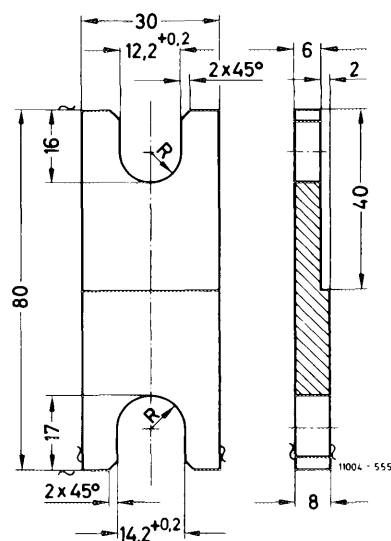
4 Lower control arm
5 Steering knuckle
6 Upper control arm
7 Supporting joint
8 Guide joint



13 If the ball pin on guide or supporting joint is turning when the hex nut is tightened insert spacing disc (037) and pull cone of ball pin into steering knuckle (5) or lower control arm (4) by tightening hex nut. Then loosen hex nut, remove spacing plate and tighten hex nut to specified torque.



Spacing plate can be self-made.



- 14 Install front wheel hub (33-310).
- 15 On vehicles with ABS, fasten rpm sensor in steering knuckle by means of hex. socket screw.
- 16 Adjust wheel bearing end play (33-300).
- 17 Install brake caliper (42-100).

Attention!

Do not twist brake hose and do not subject to tensile stresses.

18 Mount steering knuckle arm to steering knuckle with new self-locking bolts.

19 Mount front wheel, lower vehicle.

20 Check wheel adjustment at front axle (40–320).

21 Check adjustment of head lights.