

33-420 Removal and installation of steering knuckle arm

Data

Part no.	Code number	for side
123 332 20 20	2320	lefthand
123 332 21 20	2321	righthand

Tightening torques

Hex. head screw for fastening steering knuckle arm to steering knuckle

Nm

80

Castle nut to track rod

35

Special tool

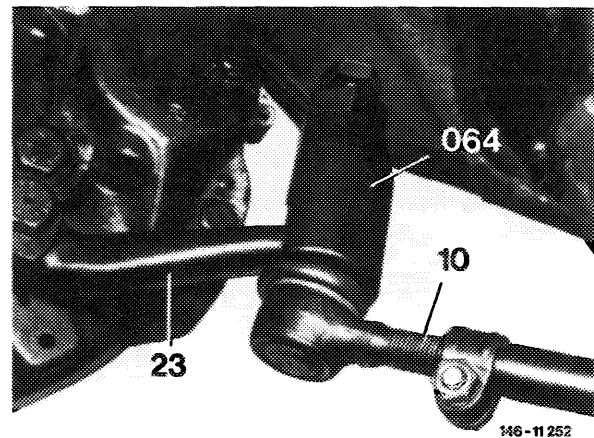
Puller for ball joint of track rod



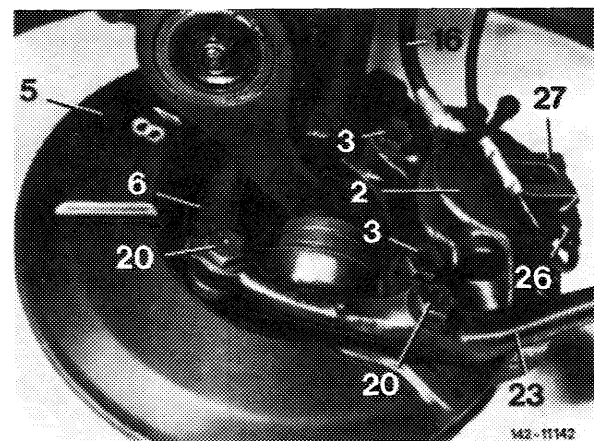
186 589 10 33 00

Removal

- 1 Uncotter castle nut of track rod and unscrew castle nut.
- 2 Force ball joint of track rod (10) from steering knuckle arm (23) by means of puller (064).

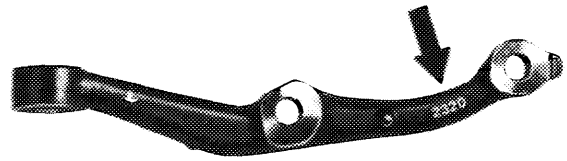


- 3 Unscrew both self-locking hex. screws (20) from steering knuckle and remove steering knuckle arm.



Checkup

4 The steering knuckle arm cannot be checked with conventional shop equipment. **If in doubt**, particularly following an accident, install a **new steering knuckle arm**. Pay attention to correct code number (arrow) of steering knuckle arm.

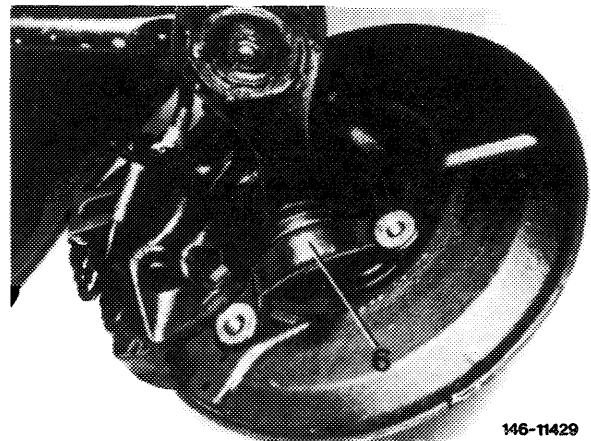


146-11418

Installation

5 Clean contact surface for steering knuckle arm on steering knuckle (6).

Note: If a new steering knuckle arm is installed, make sure that the contact surfaces for the steering knuckle, the hex. head screws and the castle nuts are free of paint.

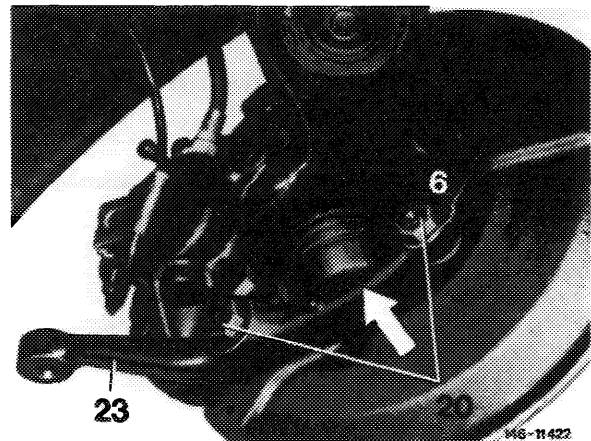


146-11429

6 Fasten steering knuckle arm with two new self-locking hex. head screws (20) to steering knuckle. Tighten hex. head screws to specified torque of 80 Nm.

Attention!

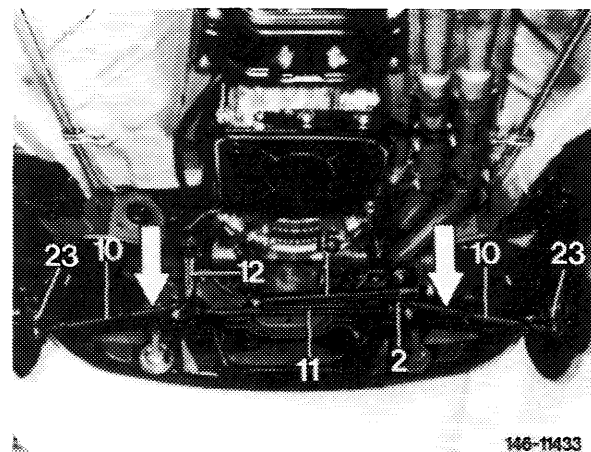
Self-locking hex. head screws must be renewed on principle.



146-11422

7 Fasten track rod (10) to steering knuckle arm (23) by means of castle nut and cotter. Tightening torque 35 Nm – reference value.

8 Check wheel adjustment on front axle (40–320).



146-11433