

33–440 Replacement of supporting joint for steering knuckle bearing

Special Tool

Installer

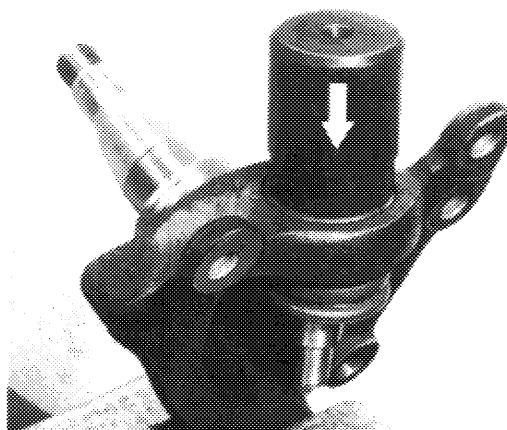


116 589 04 62 00

Removal

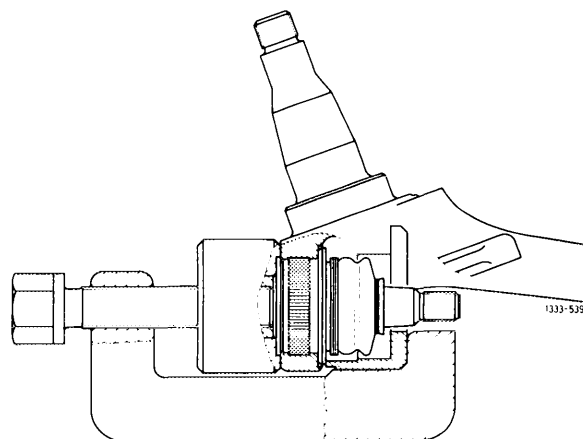
- 1 Remove steering knuckle (33–400), unscrew cover plate.
- 2 Knock supporting joint out of steering knuckle by means of a suitable mandrel while **clamping** steering knuckle into **vise provided with aluminum jaws**.

Note: Supporting joint will be destroyed when knocked out.



Installation

- 3 Check steering knuckle (33–410).
- 4 Press supporting joint into steering knuckle with installer.



- 5 Check supporting joint (7) in steering knuckle (5) for correct seat.

