

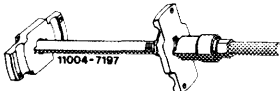

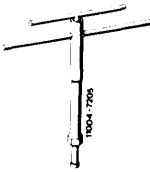
## 33–515 Removal and installation of brake support

Tightening torques	Nm	
Eccentric bolt of lower control arm bearing	180	
Hex bolts for attaching brake support to frame floor	35	
Hex bolts for attaching spring disc to lower control arm	20	
Twelve-point bolts of lower shock absorber suspension	20	
Fitted hex bolt for attaching brake support to lower control arm	M 10 <sup>1)</sup>	70
	M 12 x 1.5 <sup>2)</sup>	105

<sup>1)</sup> 1st version (up to December 1976). For repairs use screws M 12 x 1.5 only.

<sup>2)</sup> 2nd version (starting January 1977).

### Special tools

Spring tensioner for front spring		116 589 06 31 00
Tubular socket wrench insert 24 mm 1/2" square for spring tensioner		116 589 01 09 00
Wrench for upper shock absorber suspension		107 589 00 09 00

### Notes

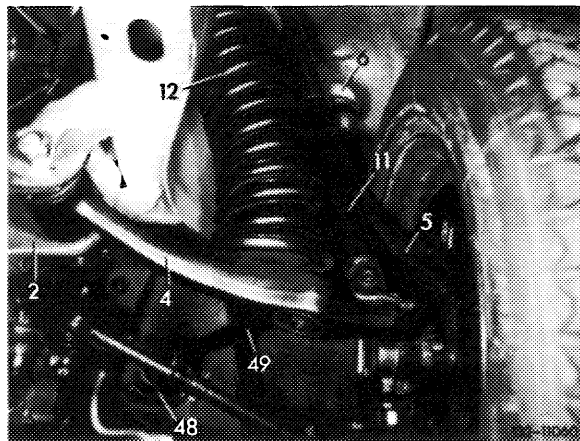
Tighten eccentric bolt of lower control arm bearing only when vehicle is resting on its wheels ready for driving. If this bearing is tightened without load on wheels, wrong values for control arm position would result.

The front shock absorber serves simultaneously as a deflection stop of front wheel. For this reason, release shock absorber suspension only when the vehicle is resting on its wheels or when the lower control arm is supported. With the shock absorber released, the upper control arm rests on end stop at front end. For assembly of upper suspension, either place vehicle on its wheels or lift axle half at lower control arm.

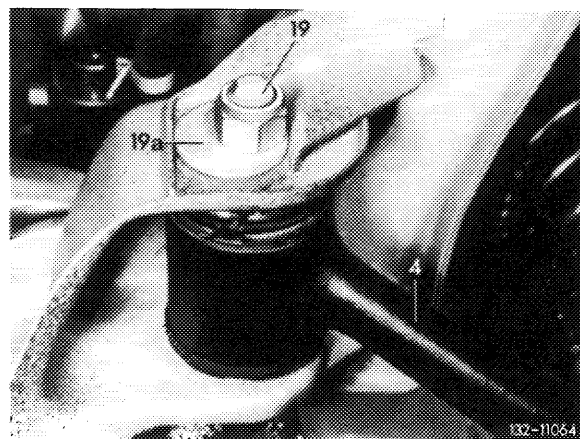
Replace self-locking bolts and nuts on principle!

## Removal

- 1 Remove front shock absorber (11) (32-100), making sure that the upper shock absorber suspension is loosened first.
- 2 Jack-up vehicle at the front, remove front wheel.
- 3 Remove front spring (12) (32-200).

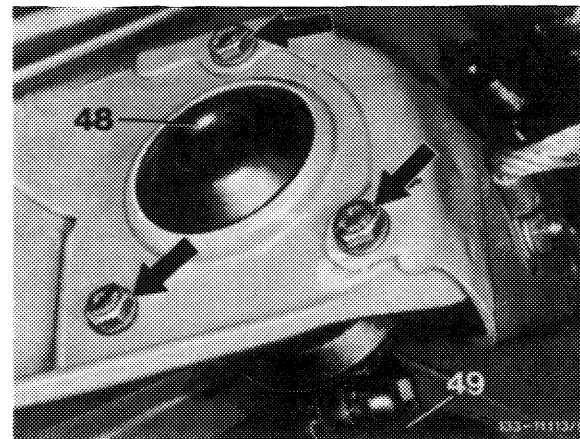


- 4 On lower control arm bearing, mark position of eccentric bolt in relation to frame cross member.
- 5 Loosen eccentric bolt at bearing of lower control arm and remove.



- 4 Lower control arm
- 19 Eccentric bolt
- 19a Eccentric disc

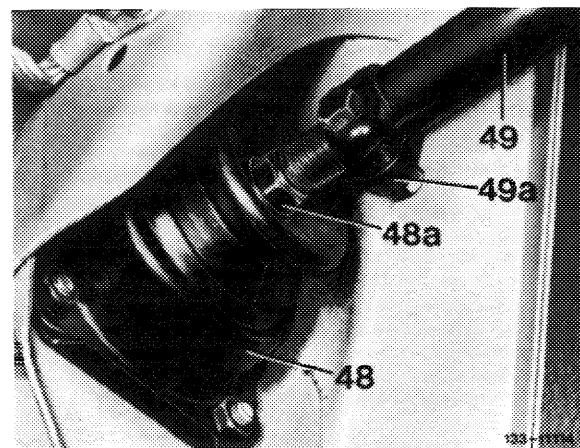
- 6 Unscrew hex bolts (refer to arrows) for fastening brake support to frame floor.



- 48 Supporting joint
- 49 Supporting tube

### Brake support on frame floor

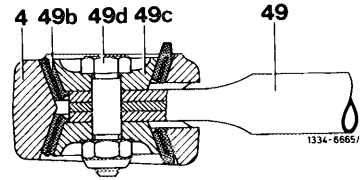
- 48 Supporting joint
- 48a Ball pin
- 49 Supporting tube
- 49a Clamp



7 Loosen hex bolts for attaching spring disc to lower control arm and remove spring disc.

8 Unscrew fitted hex bolt for attaching brake support to lower control arm.

- 4 Lower control arm
- 49 Supporting tube
- 49d Fitted hexagon bolt



9 Pull lower control arm out of console on frame cross member and swivel in forward direction.

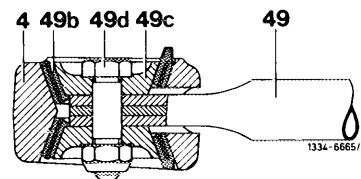
10 Remove brake support.

### Installation

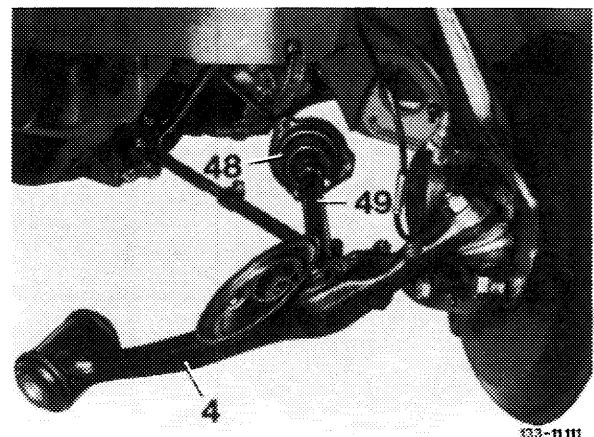
11 Mount brake support with new rubber bearings to lower control arm, making sure that the supporting tube rests in cutouts of rubber bearing and that opening of clamp faces downward.

Do not yet tighten fitted hex bolt for attaching brake support to lower control arm.

- 4 Lower control arm
- 49 Supporting tube
- 49b Rubber bearing
- 49c Disc washer
- 49d Fitted hex bolt

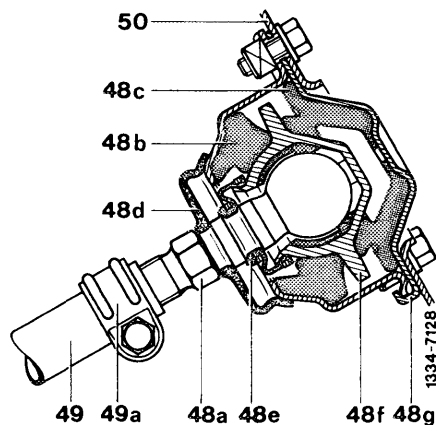


12 Attach spring disc.



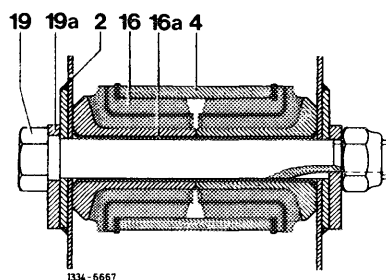
13 Mount brake support to frame floor with new self-locking hex bolts.

- 48 Supporting joint
- 49 Supporting tube
- 50 Bearing bracket for brake support on frame floor



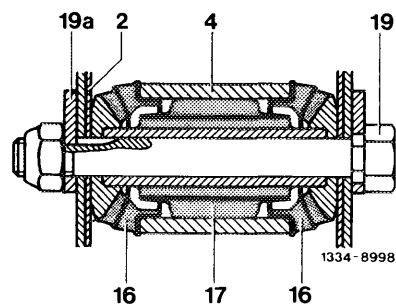
14 Mount bearing of lower control arm to frame cross member.

- 2 Frame cross member
- 4 Lower control arm
- 16 Rubber bearing
- 19 Eccentric bolt
- 19a Eccentric disc



**Note:** On vehicles with 15" wheels, 3-part rubber bearings of model 126 are standard starting January 1982 (33-520).

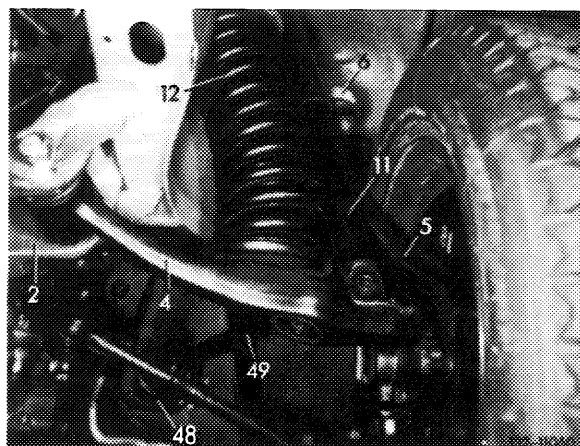
- 2 Frame cross member
- 4 Lower control arm
- 16 Axial-torsion rubber bearing
- 17 Radial-torsion rubber bearing
- 19 Eccentric bolt (camber adjustment)
- 19a Eccentric disc



15 Tighten hex. head fitted screw of brake support bearing on lower control arm to specified torque.

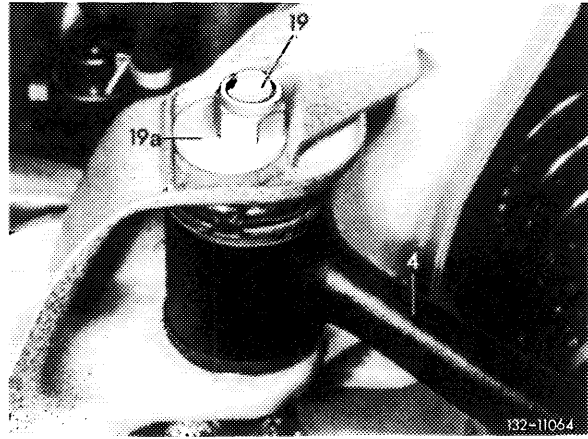
16 Install front spring (32-200).

17 Mount shock absorber (32-100).



18 Place eccentric bolt for camber adjustment on previously applied marking and tighten.

**Note:** If the position of the eccentric bolt has not been marked during removal, move eccentric bolt into center position for initial adjustment.



19 Eccentric bolt  
19a Eccentric disc

19 Mount front wheel, lower vehicle.

20 Check vehicle level on front axle (40–300).

21 Check adjustment of front wheels (40–320).

22 Check adjustment of headlights.