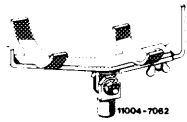
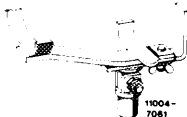


35–050 Removal and installation of rear rubber bearing of rear axle suspension

Tightening torques

	Nm
Hex socket necked-down bolt for attaching rear rubber bearing to rear axle end cover (rubber bearing 1st version)	140
Hex. socket or hex. head screws for attaching rear rubber bearing to rear axle end cover (rubber bearing 2nd version)	120
Hex bolts for attaching rear rubber bearing to frame floor	25
Hex bolts, self-locking for attaching rear rubber bearing to frame floor	30

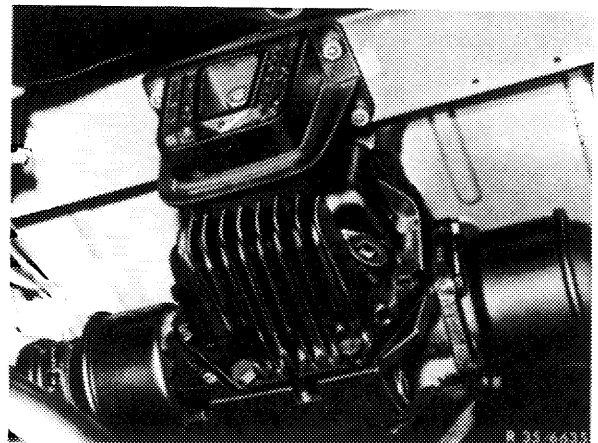
Special tools

Vehicle jack top for removal and installation of rear axle center piece (large center piece) ¹⁾		116 589 02 63 00
Vehicle jack top for removal and installation of rear axle center piece (small center piece) ¹⁾		115 589 35 63 00

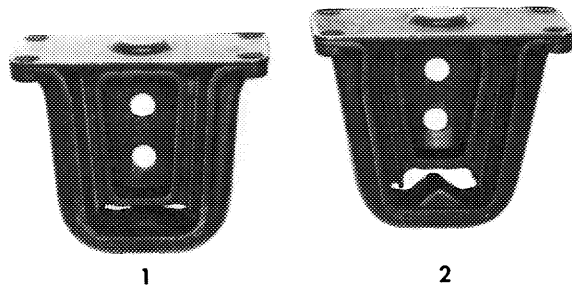
¹⁾ refer to installation survey rear axle center piece 35–500

Note:

During 1971 and 1972, the small and the large rear axle center piece for models 107, 114, 115 and 116 were occasionally provided with a rear axle end cover with large bulge.



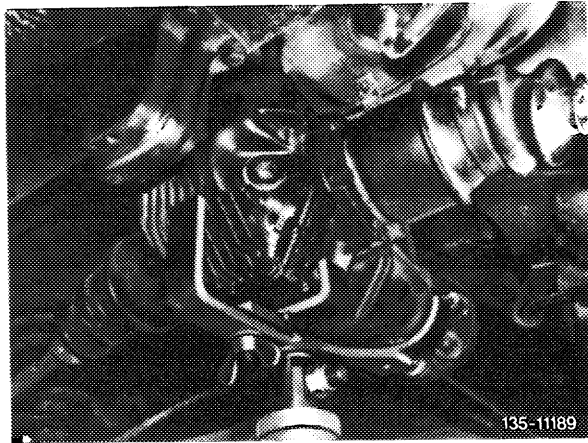
For this rear axle end cover, only the rubber bearing of the former version (1) applies. The rubber bearing (2) installed uniformly since the middle of 1978 cannot be used for reasons of available space.



135-10855

Removal

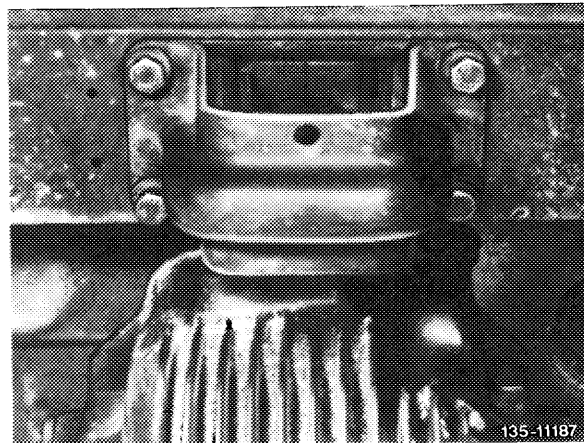
1 Support rear axle housing on vehicle jack top and raise slightly.



135-11189

2 Unscrew hex bolts or locking bolts on frame floor and slightly lower rear axle.

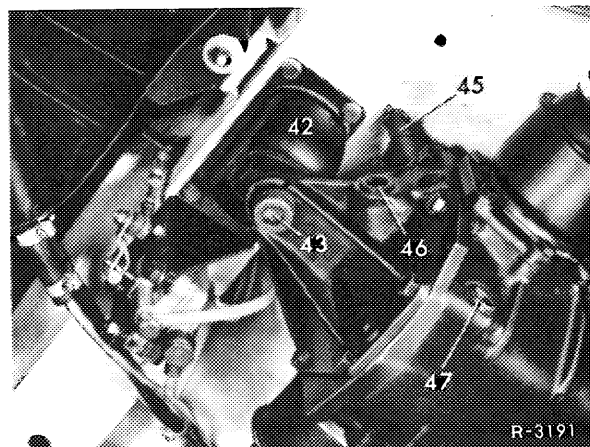
On models 115.114 and 123 with engine 617, with engine 616 starting March 1978, with engine 115 starting September 1979 and with engine 102, additionally loosen front stop limit from rear axle carrier (35-040).



135-11187

1st version on models 107 and 106
2nd version on models 114 and 115

3 Unscrew hex. socket necked-down screw (43) and remove together with rubber bearing.

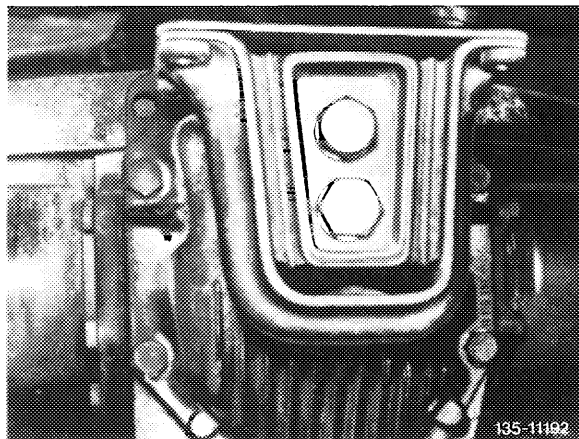


R-3191

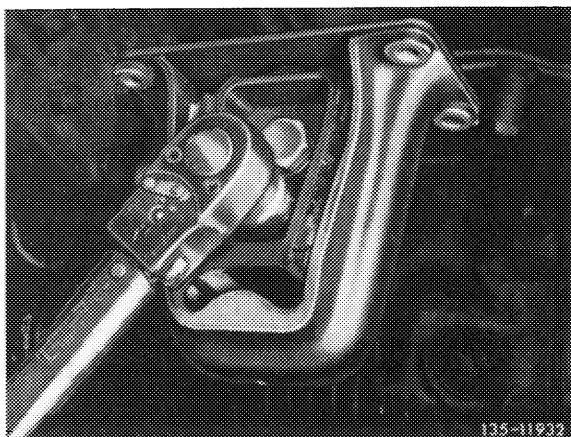
1st version on models 114 and 115

4 Unscrew rubber mounting from rear axle end cover and remove.

1st version on models 107 and 116
2nd version on models 114 and 115



1st version on models 123 and 126
2nd version on models 107 and 116
Repair version on models 114 and 115



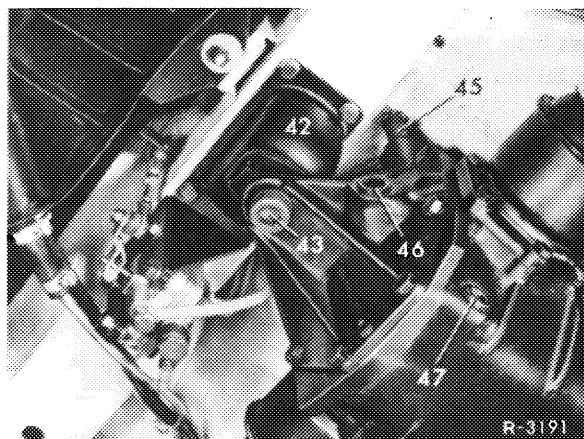
Installation

5 Attach rubber bearing (42) of 1st version to frame floor. Tightening torque of hex bolts 25 Nm (2.5 kpm).

Attention!

Rubber bearing is asymmetrically designed. To guarantee installation free of tensions, install rubber bearing with narrow end in driving direction.

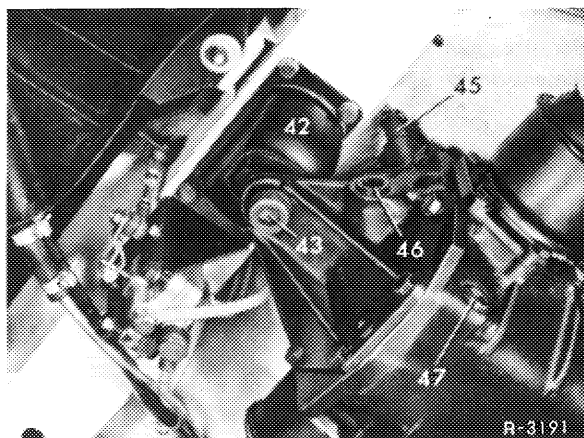
1st version on models 114 and 115



6 Lift rear axle and tighten hex socket necked-down screw (43) to 140 Nm.

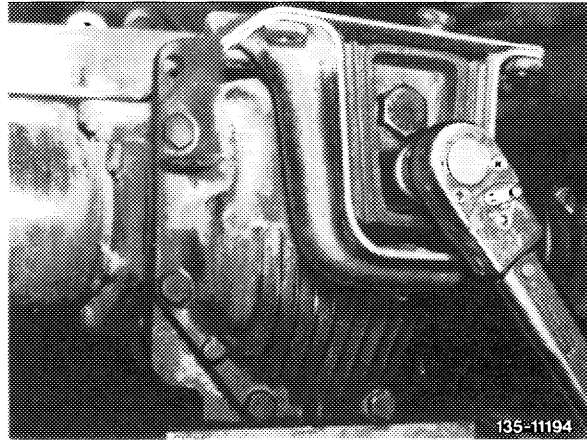
Note: Always replace hex. socket necked-down expanding screw (43) after using screw once.

1st version on models 114 and 115

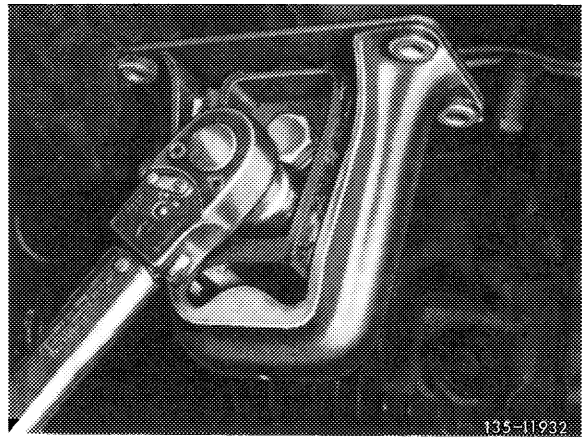


7 Attach rubber bearing to rear axle end cover.
Tighten hex. screws to 120 Nm.

1st version on models 107 and 116
2nd version on models 114 and 115



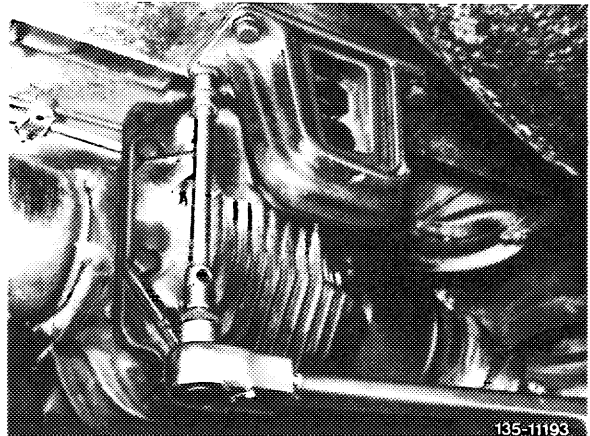
1st version on models 123 and 126
2nd version on models 107 and 116
Repair version on models 114 and 115



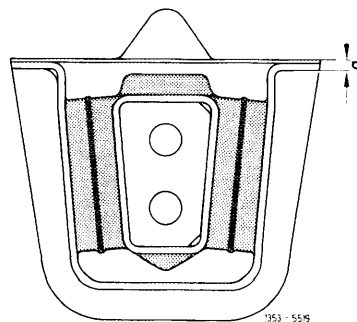
8 Lift rear axle and tighten hex bolts or self-locking hex bolts of rubber bearing to frame floor at 25 Nm or 30 Nm.

Attention!

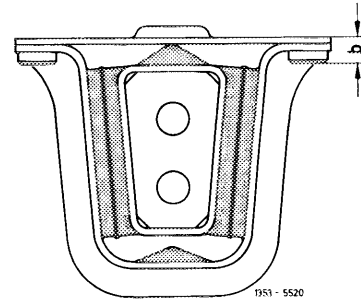
Self-locking hex. screws with plastic coating (micro-encapsulated) or holders with all-metal lock nut on model 126 may be used **only** once.



9 On rubber bearings **without** washers on fastening eyes, use hex bolts with washers and snap rings only (dimension a = 5 mm).

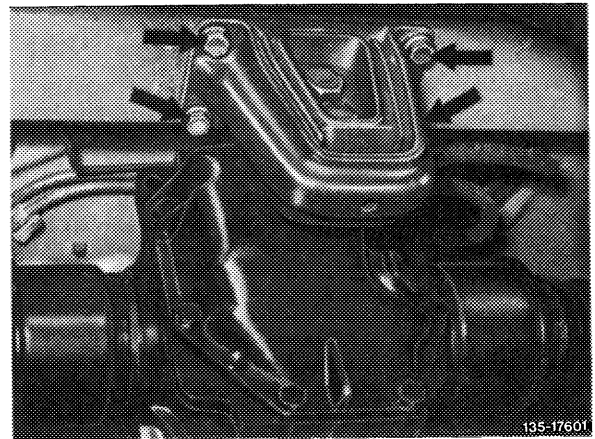


10 On rubber bearings **with** washers on fastening eyes use self-locking hex. bolts only (dimension b = 12 mm).

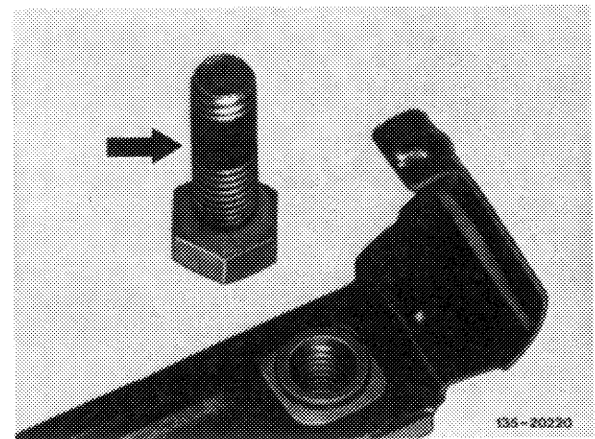


Model 126

11a Lift rear axle center piece up to frame floor and fasten rubber bearing to frame floor. Tightening torque of self-locking hex. bolts 1st version or hex. bolts 2nd version 30 Nm.



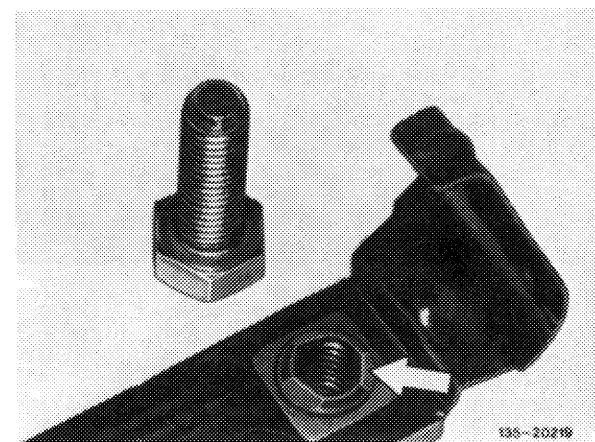
11b In the event of repairs, replace 1st version by 2nd version.



1st version
Self-locking hex. bolts
(arrow) and holder with nut
without lock

Attention!

Be sure to replace holder of 2nd version after one-time use.



2nd version
Hex. bolts without lock
and holder with self-locking
nuts (arrow)

12 Lower pit lift or vehicle jack and remove top.

13 On models 115.114 and 123 with engine 617, with engine 616 starting March 1978, with engine 115 starting September 1979 and with engine 102, mount stop limit (2) and adjust (35-040).

