

## 35–330 Removal and installation of link between coupled semi-trailing arm and caliper carrier

---

Diagonal swing axle with starting torque compensation

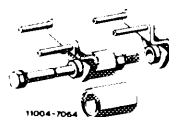
Tightening torques		Nm
Hex bolts for attaching link to caliper carrier		25
Necked-down bolt for attaching torsion bar to wheel carrier		80
Hex bolts for attaching rear axle shaft to rear axle shaft flange	1st version (M 12)	95
	2nd and 3rd version (M8)	30

---

### Special tool

---

Remover and installer for link on coupled semi-trailing arm



116 589 15 43 00

---

### Note

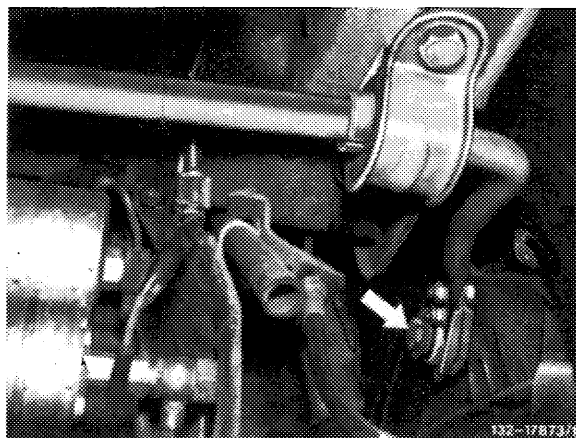
---

The link can also be removed and installed in vehicle.

### Removal

---

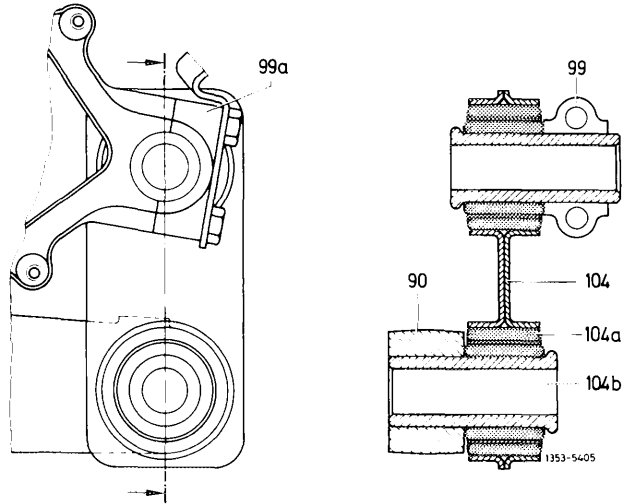
- 1 Remove wheel.
- 2 Loosen brake hose on respective side on bracket of frame side member and remove. Close brake line or hose against penetration of dirt.
- 3 Loosen necked-down bolt for attaching torsion bar to wheel carrier and remove (32–325).



4 Remove outer synchromesh joint of rear axle shaft on rear axle shaft flange (35–620).

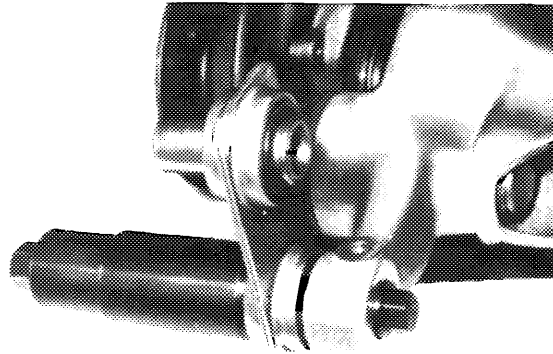
5 Loosen caliper carrier (99) from bolt (104 b) of link.

- 90 Coupled semi-trailing arm
- 99 or 99a Caliper carrier
- 104 Link
- 104a Rubber bearing
- 104b Bolt



6 Swivel complete wheel carrier forward until the remover and installer can be positioned against coupled semi-trailing arm. Attach wheel carrier with wire.

7 Pull link bolt out of coupled semi-trailing arm with remover and installer.



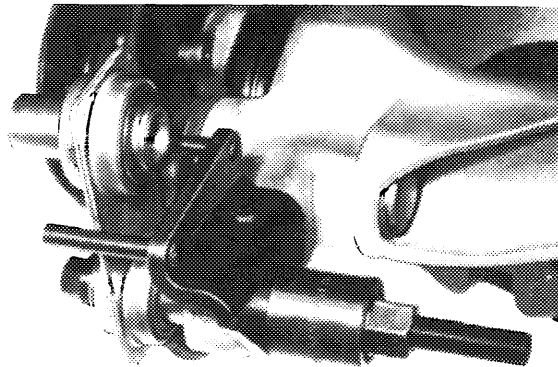
135-8556

### Installation

8 Insert bolt (104 b) of new link (104) into coupled semi-trailing arm (90) by means of remover and installer (36 a – 36 e).

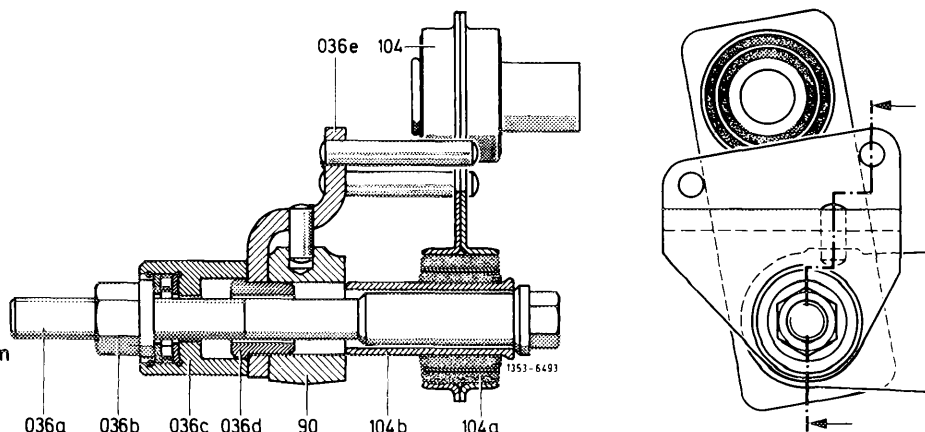
9 Remove remover and installer

10 Install rear axle shaft (35–620).



135-8557

- 036a Hex bolt
- 036b Collar nut
- 036c Thrust piece
- 036d Locating bushing
- 036e Locating plate
- 90 Coupled semi-trailing arm
- 104 Link
- 104a Rubber bearing
- 104b Bolt



11 Swivel complete wheel carrier toward the rear and attach caliper to link bolt. Tightening torque of hex bolts 25 Nm.

12 Attach torsion bar to wheel carrier (32–325).

13 Connect brake hose to brake line.

14 Bleed brake system (42–010).