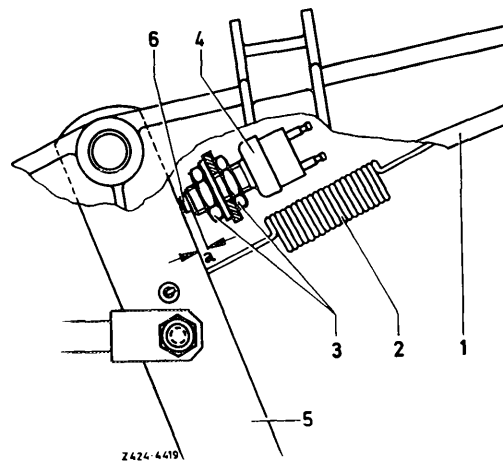


Checkup

1 The brake light should light up at a pedal travel between 5–15 mm, measured to center of pedal plate, this will provide the dimension "a" = 6–8 mm of contact button.

- 1 Brake pedal carrier
- 2 Return spring
- 3 Hex nut
- 4 Brake light switch
- 5 Brake pedal
- 6 Contact button



Adjustment

2 Adjust brake light switch with the two hex nuts (3), which are simultaneously serving to attach switch (4).