

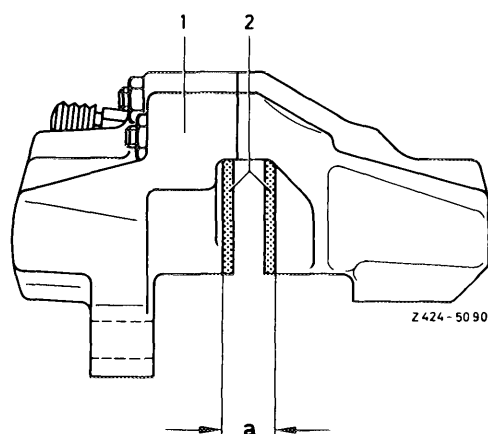
42–120 Removal and installation of caliper on rear axle

Data

Model	123.00	123.18	123.02	123.05	123.15
	123.08	123.19	123.03	123.12	123.22
	123.09	123.20	123.04	123.13	123.24
	123.10	123.28			
Caliper make	Teves		Teves	Bendix Girling	
Caliper piston dia.	42		38		
Shaft width for brake pads	62 + 0.15				
Disc contact width "a"	approx. 14			approx. 12.5	

a = disc contact width

- 1 Caliper
- 2 Brake shoe



Tightening torque

Nm

Self-locking hex. bolt for attaching caliper to wheel carrier of rear axle

90

Conventional tool

Open double box wrench 9 x 11 mm

e.g. made by Hazet, D-5630 Remscheid, order No. 612

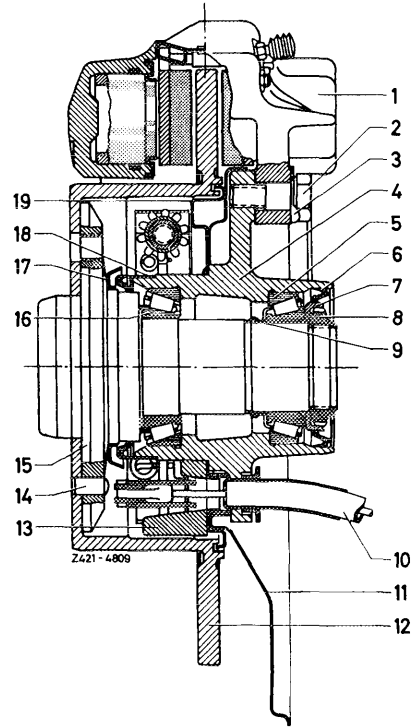
Note

For loosening and tightening brake lines, use conventional open double box wrench only.

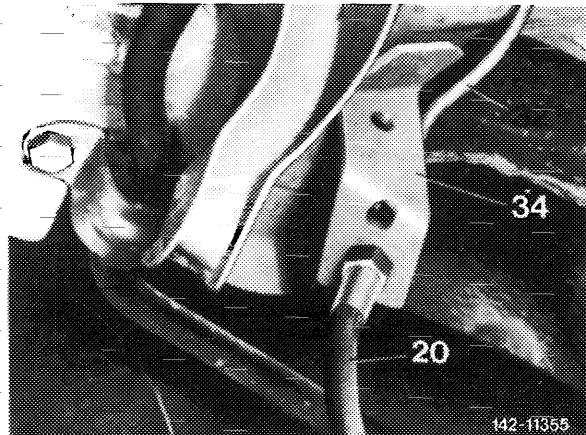
Removal

1 Pump brake fluid out of rear brake circuit through an opened bleeder plug.

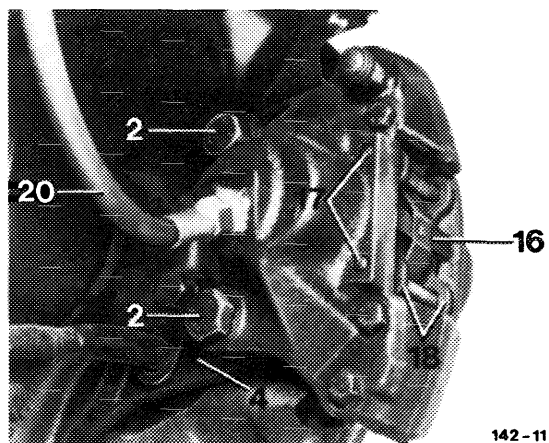
- 1 Caliper
- 2 Self-locking hex. bolt
- 4 Wheel carrier
- 5 Inside tapered roller bearing
- 6 Radial sealing ring
- 7 Sealing ring
- 8 Slot nut
- 9 Spacing sleeve
- 10 Brake cable control
- 11 Cover plate
- 12 Brake disc
- 13 Brake carrier
- 14 Fitted pin
- 15 Rear axle shaft flange
- 16 Outside tapered roller bearing
- 17 Dust cap
- 18 Radial sealing ring
- 19 Cover ring



2 Loosen brake hose (20) on holder (34) of underbody and screw out of caliper. Close all connections immediately with rubber plugs.



3 Unscrew hex. bolt (2) and remove caliper from wheel carrier (4).



Installation

Note: Calipers from different manufacturers may be installed on rear axle.

4 Position caliper against wheel carrier (4). Screw in self-locking hex. bolts (2) and tighten to 90 Nm.

Note: Self-locking hex. bolts M 12 x 30 may be used only once.

If the tightening torque of the new self-locking hex. bolts is very high, clean threads in steering knuckle from remaining glue of micro-encapsulated bolts by means of an M 12 x 1.5 tap.

5 Screw brake hose (20) into caliper and tighten.

6 Connect brake hose to brake line on holder of underbody. Make sure of perfect hose layout.

7 Bleed rear axle brake circuit (42—010).

Attention!

Check brake system for leaks!

Upon bleeding, actuate brake pedal several times energetically to obtain the correct clearance between brake disc and brake pad. Then perform leak test with engine running by actuating the brake pedal several times at approx. 200–300 N. The established pressure should hold out for some time, brake pedal should not permit additional depression. Check all connections for leaks. Top-up brake fluid in expansion tank of tandem main cylinder, if required.

