

42–220 Removal and installation of brake disc on front axle

Data

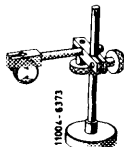
Thickness of brake disc	12.6
Wear limit	10.6
Brake disc dia.	278 ± 0.2
Fitted bore dia.	$\frac{80.05}{80.00}$
Lateral runout	max. 0.12
Tightening torques	Nm
Self-locking hex. socket bolts for attaching brake disc to front wheel hub	115
Self-locking fitted hex. bolt for attaching caliper to steering knuckle	115

Special tools

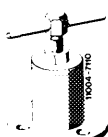
Pulling and mounting tool for wheel cap  116 589 22 33 00



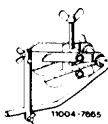
Dial gauge holder for adjusting wheel bearing play  116 589 12 21 00



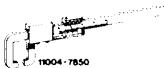
Puller for wheel hub  116 589 17 33 00



Dial gauge holder for measuring lateral runout of brake disc  001 589 63 21 00



Slide gauge for measuring thickness of brake disc  126 589 00 19 00



Conventional tool

Dial gauge A 1 DIN 878

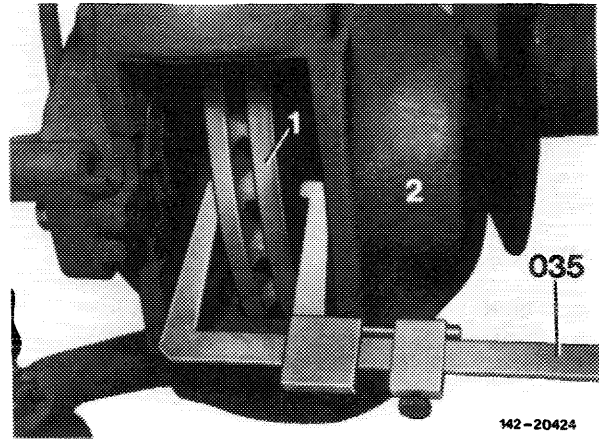
e.g. made by Mahr, D-7300 Esslingen
order No. 810

Note

When checking brake disc, proceed as follows:

- a) Measure thickness of brake disc between cover plate and caliper, or with brake pads removed, in inspection hole by means of slide gauge.
- b) Check visually.

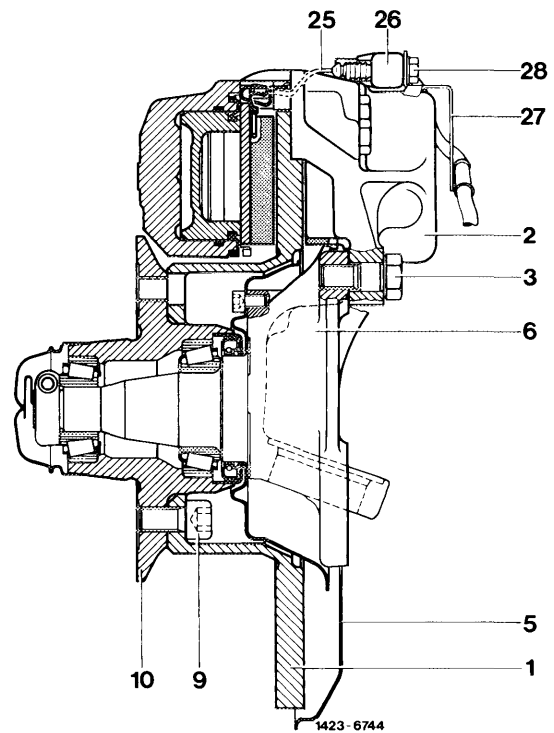
If cracks are rather large (not measurable), if score marks are deeper than 0.5 mm and when wear limit is attained, replace brake disc.



Removal

1 Unscrew fitted hex. bolts (3) and remove caliper (2) from steering knuckle (6).

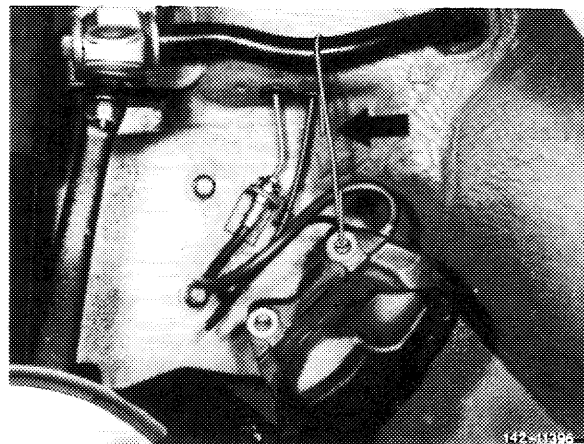
- | | |
|----|-------------------------------|
| 1 | Brake disc |
| 2 | Caliper |
| 3 | Self-locking fitted hex. bolt |
| 5 | Cover plate |
| 6 | Steering knuckle |
| 9 | Self-locking hex. socket bolt |
| 10 | Front wheel hub |
| 25 | Clip sensor |
| 26 | Plug connection |
| 27 | Cable holder |
| 28 | Hex. bolt |



2 Attach caliper and brake hose to torsion bar by means of a suitable hook.

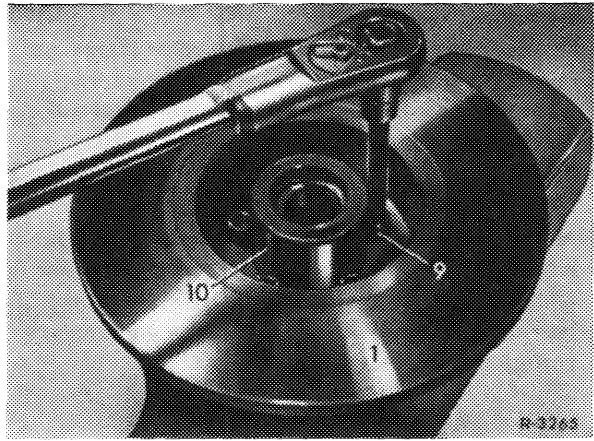
Note: The hook must be self-made. The brake hose may not be put under tensile stress.

3 Remove front wheel hub (33-310).



4 Screw three hex. bolts M 12 x 1.5 into front wheel hub. Then clamp front wheel hub into a vise using aluminum jaws.

5 Unscrew self-locking hex. socket bolts (9) holding brake disc (1) to front wheel hub (10).

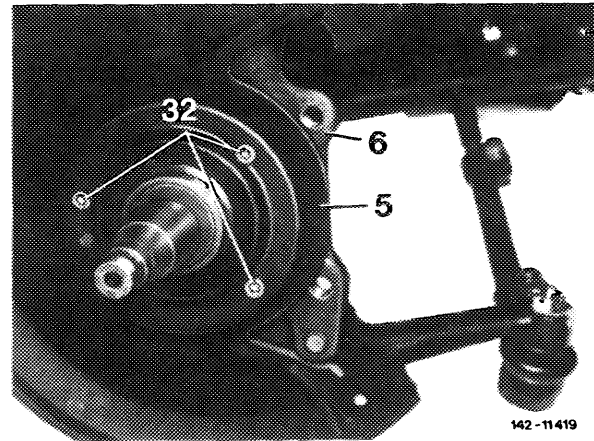


Installation

Note: Prior to installing brake disc, remove rust, if any, on flange of brake disc and front wheel hub. Make sure that there is no burr on seat of brake disc.

Check fastening of cover plate.

Spare-part brake discs are protected against corrosion by means of nitro-cellulose paint. For this reason, clean brake discs with solvent prior to installation. Make sure that safety rules are observed.

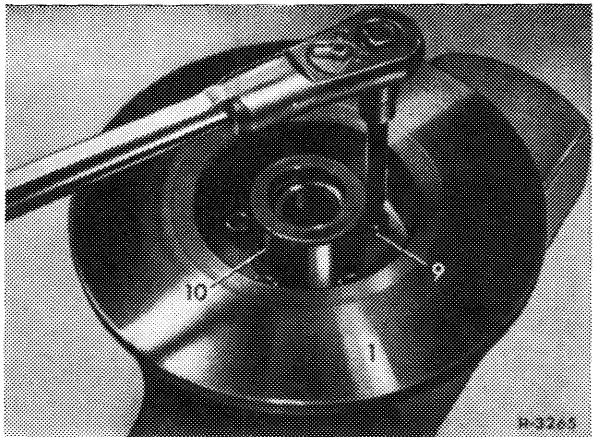


6 Attach brake disc (1) to front wheel hub (10) with new self-locking hex. socket bolts (9).

Tighten self-locking hex. socket bolts to 115 Nm.

Note: Self-locking hex. socket bolts may be used only once.

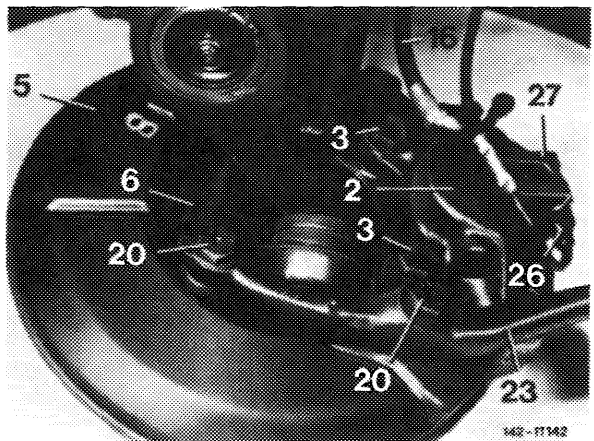
7 Install front wheel hub (33–310).



8 Attach caliper with new self-locking fitted hex. bolts (3) to steering knuckle. Make sure of perfect installation of brake hose.

Tighten fitted hex. bolts to 115 Nm (42–100).

Note: Self-locking fitted hex. bolts may be used only once.

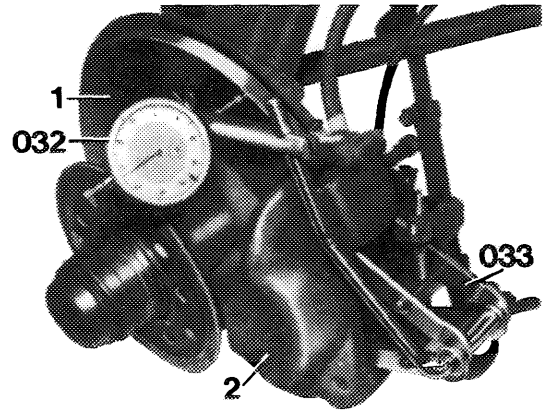


Attention!

Prior to moving-off, operate brake pedal energetically several times to establish the correct clearance between brake disc and brake pad. Then top-up brake fluid supply in expansion tank of tandem main cylinder.

Note: If during a trial run (mainly after driving around a bend) a varying pedal travel is observed, measure lateral runout of brake disc at OD. Simultaneously, check wheel bearing end play of front wheel hubs and adjust, if required (33–300).

If the lateral runout of the brake disc is too high, displace brake disc on front wheel hub. Renew brake disc, if required.



142-13631