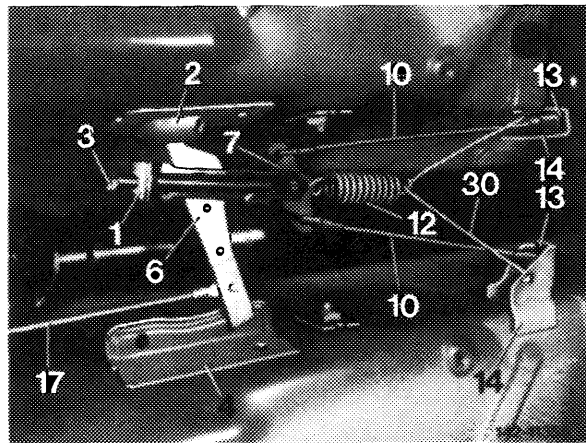
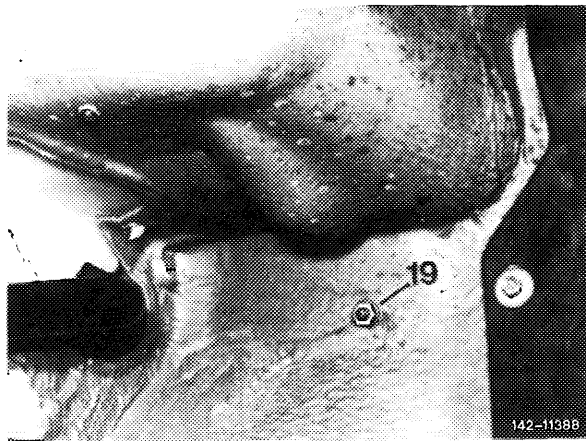


Removal

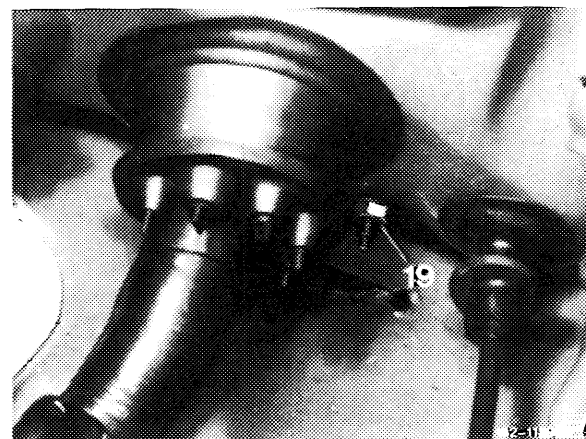
1 Disconnect restoring spring (12) on compensating lever (7) and screw back adjusting screw (3) on adjusting bracket (1).



2 Turn steering completely to the left and unscrew hex. nut (19) in lefthand wheelhouse.



3 Unscrew hex. nut (19) in engine compartment at front end.

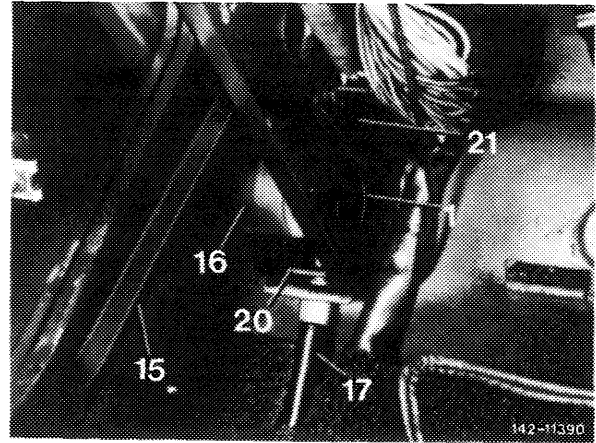


4 Remove cover below instrument panel.

5 Disconnect brake cable control (17) from pedal link (15). Remove spring clip (20), then brake cable control.

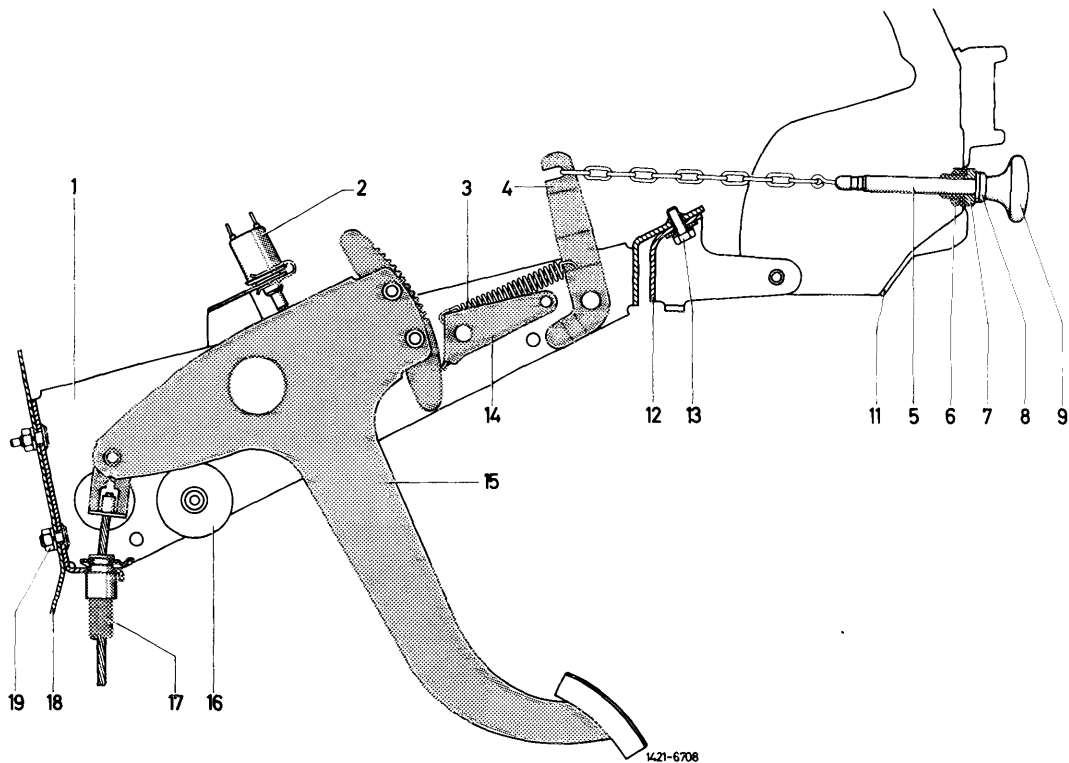
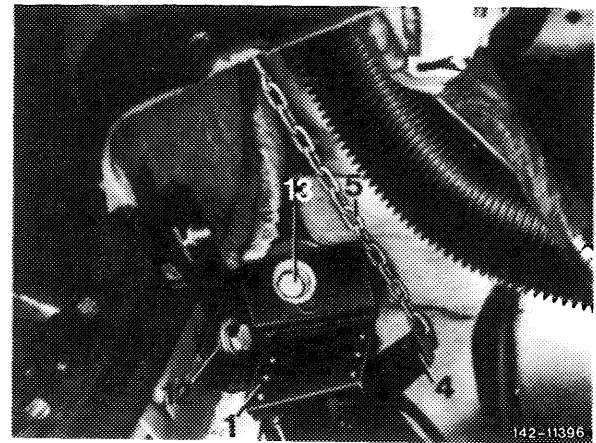
6 Remove plug connection (21) from carrier (1).

7 Loosen plug connection on switch for parking warning light.



8 Disconnect chain (5) on releasing lever (4).

9 Unscrew hex. bolt (13) from carrier (1) and remove complete pedal system.



- | | | |
|----------------------------|--------------------------------|---------------------------------------|
| 1 Carrier | 8 Stop buffer | 15 Pedal |
| 2 Switch for warning light | 9 Actuating knob | 16 Rubber stop |
| 3 Restoring spring | 11 Instrument panel | 17 Brake cable control |
| 4 Releasing lever | 12 Holder for instrument panel | 18 Front end |
| 5 Pull rod with chain | 13 Hex. bolt with washer | 19 Hex. nut with washer and snap ring |
| 6 Nut on rosette | 14 Detent | |
| 7 Rosette | | |

Installation

- 10 Attach brake cable control (17) into pedal link and insert spring clip (20) into cable guide.
- 11 Attach pedal system to lefthand wheel house, in engine compartment and to holder for instrument panel.
- 12 Attach chain (5) to releasing lever (4).
- 13 Attach plug connection to switch for warning light. Check warning light for function.
- 14 Attach plug connection (21) to carrier.
- 15 Insert lower cover.
- 16 Attach restoring spring to compensating lever.
- 17 Adjust parking brake (42–540).