

## 42–530 Removal and installation of brake shoes of parking brake

---

### Data

Brake shoe dia.	160–0.2
ID of brake disc	160 + 0.2
Brake shoe width	25

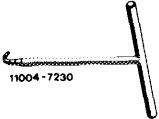
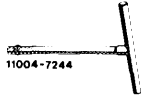
---

### Lubricants

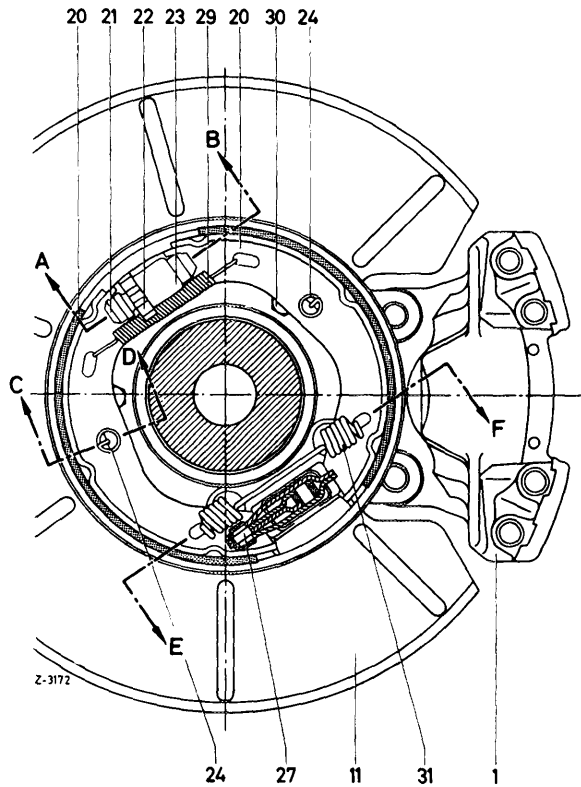
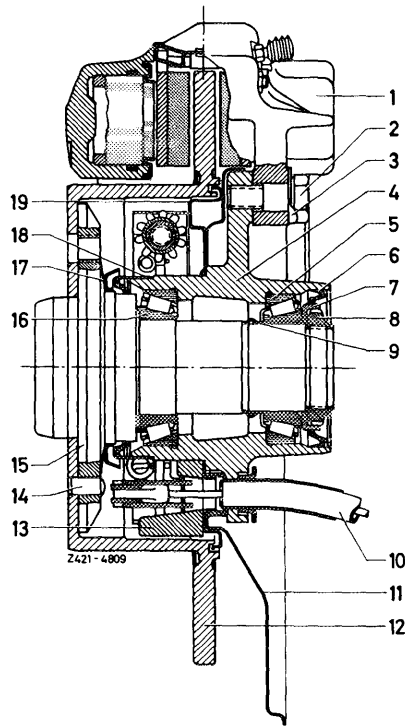
Molykote Paste U	Molykote Paste G Rapid	Liqui Moly Paste 36
------------------	------------------------	---------------------

---

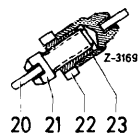
### Special tools

Remover and installer for return spring	 11004-7230	116 589 01 62 00
Installation tool for draw spring	 11004-7244	112 589 09 61 00

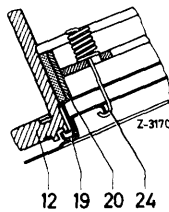
---



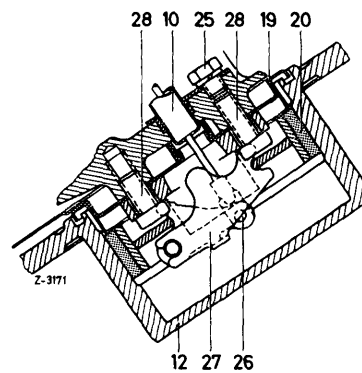
**Schnitt A - B**



**Schnitt C - D**



**Schnitt E - F**

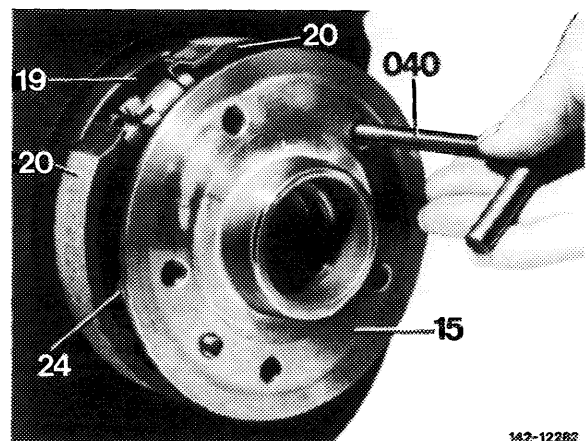


- |                                 |                                   |
|---------------------------------|-----------------------------------|
| 1 Caliper                       | 10 Brake cable control            |
| 2 Hex. bolt                     | 11 Cover plate                    |
| 3 Locking plate                 | 12 Brake disc                     |
| 4 Wheel carrier                 | 13 Brake carrier                  |
| 5 Inside tapered roller bearing | 14 Fitted pin                     |
| 6 Radial sealing ring, inner    | 15 Rear axle shaft flange         |
| 7 Sealing ring                  | 16 Outside tapered roller bearing |
| 8 Slot nut                      | 17 Dust cap                       |
| 9 Spacing sleeve                | 18 Radial sealing ring, outer     |

- |                             |                                |
|-----------------------------|--------------------------------|
| 19 Cover ring               | 26 Bolt                        |
| 20 Brake shoes              | 27 Expanding lock              |
| 21 Thrust piece             | 28 Hex. socket bolt            |
| 22 Adjusting wheel          | 29 Upper restoring spring      |
| 23 Thrust sleeve            | 30 Hex. bolt with snap ring    |
| 24 Draw spring              | 31 Lower restoring spring ring |
| 25 Hex. bolt with snap ring |                                |

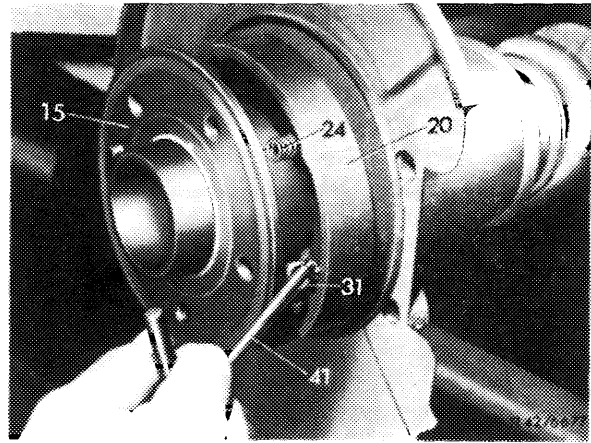
### Removal

- 1 Remove brake disc (42-228).
- 2 Turn rear axle shaft flange (15) in such a manner that one threaded hole faces spring (24). Then slightly compress spring with installation tool (040), turn tool by approx. 90°, then disconnect spring from cover ring and remove.
- 3 Remove spring on other brake shoe likewise.

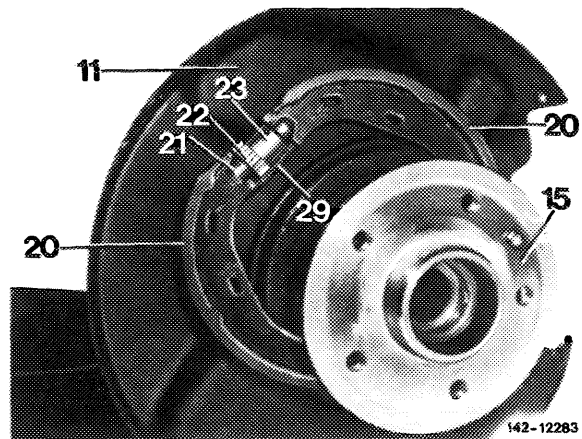


142-12282

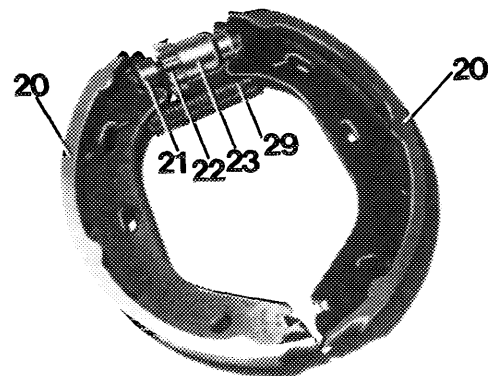
4 Disconnect restoring spring (31) with remover and installer (41) from brake shoe (20).



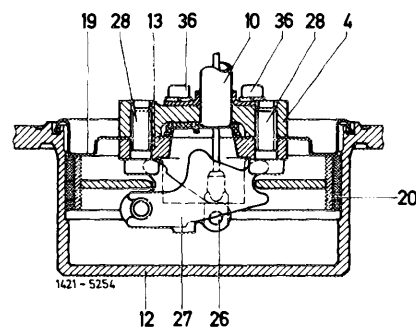
5 Pull both brake shoes (20) apart until they can be removed over rear axle shaft flange (15).



6 Disconnect restoring spring (29) from brake shoe (20) and remove adjusting device (21 to 23).



7 Push bolt (26) out of expanding lock (27) and remove expanding lock from brake cable control (10).



- 4 Wheel carrier
- 10 Brake cable control
- 12 Brake disc
- 13 Brake carrier
- 19 Cover ring
- 20 Brake shoes

- 26 Bolt
- 27 Expanding lock
- 28 Hex. socket bolt
- 36 Hex. socket bolt with snap ring

## Installation

8 Coat all bearings and sliding surfaces on expanding lock with specified lubricant (refer to table), attach brake cable control (10) to expanding lock (27) by means of bolt (26). Then push expanding lock toward cover ring (19).

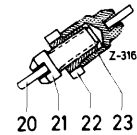
9 Check tightening torque of both hex. socket screws for fastening brake carrier (13) (tightening torque 50 Nm).

**Note:** Self-locking hex. socket screws are installed starting October 1978. **Hex. socket screws may be used only once.** For tightening and loosening, use a 7 mm Allen wrench.

10 Coat threads of thrust piece (21) and cylindrical portion of adjusting wheel (22) with specified lubricant (refer to table). Assemble adjusting device and turn completely back.

- 20 Brake shoes
- 21 Thrust piece
- 22 Adjusting wheel
- 23 Pressure sleeve

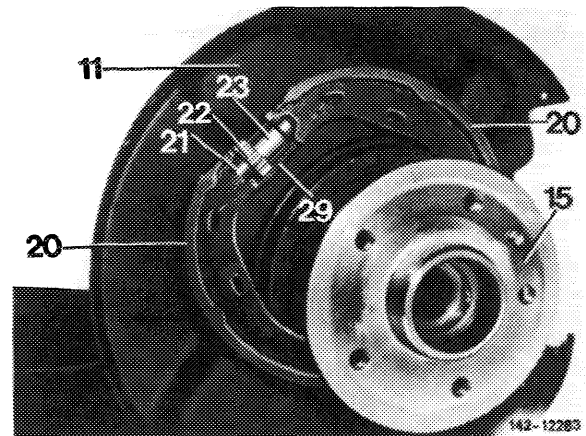
Schnitt A - B



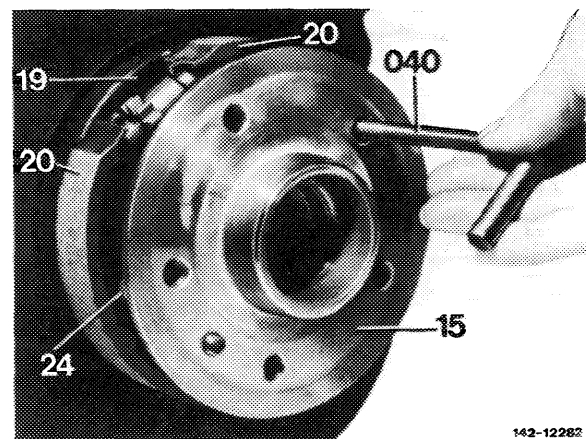
11 Insert adjusting device (21 to 23) into both brake shoes in such a manner that the adjusting wheel (22) is facing forward.

12 Attach restoring spring (29) to both brake shoes.

13 Pull brake shoes (20) apart, introduce over rear axle shaft flange (15) and attach to expanding lock.



14 Insert spring (24) laterally into brake shoes (20). Introduce installation tool (040) through a threaded hole of rear axle shaft flange (15), then compress spring slightly, turn by 90° and attach to cover ring (19). Make sure that the spring is correctly attached.



15 Attach spring (31) with small eye to brake shoes.

**Note:** The eyes of the restoring spring vary. For large eye refer to arrow.

16 Attach remover and installer (41) into large eye of restoring spring (31), then attach restoring spring to other brake shoes (20).

17 Install brake disc (42–228).

18 Adjust parking brake (42–540).

