

Data

Total ratio of parking brake up to expanding lock limit	1 : 35.6
Number of detents on detent bracket	12
Number of detents required for locking parking brake at an average physical energy of approx. 300 N (30 kp)	4–6
Number of detents until effect of parking brake begins	1–2

Note

Readjust parking brake as soon as the pedal can be depressed by more than 4 detents (of a total of 12) without obtaining a braking effect.

Adjustment

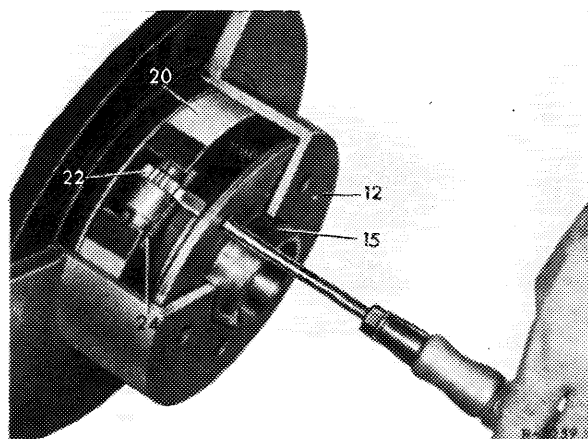
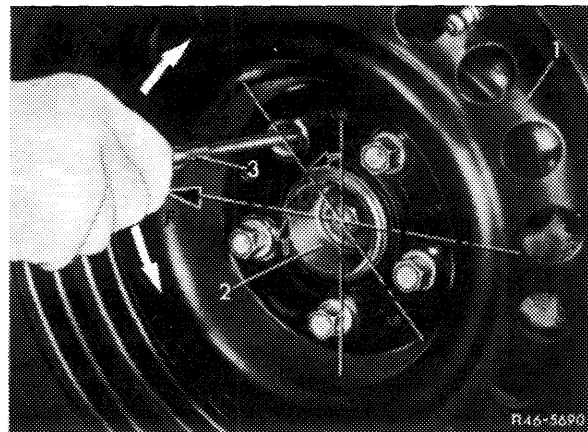
- 1 Unscrew one spherical collar bolt each at rear axle left and right.
- 2 Check up vehicle and first turn one wheel in such a manner that the bolt hole from which the spherical collar screw has been pulled out points approx. 45° in forward and upward direction.
- 3 Insert a screwdriver (size 4.5 mm) through hole of rim, of brake disc (12) and rear axle shaft flange (15) into adjusting wheel of adjusting device (22) and turn adjusting wheel by pertinent movements in such a manner that the wheel can no longer be turned. Then turn adjusting wheel back by approx. 2–3 teeth, e.g. until the wheel can be rotated freely.

Attention!

Adjusting direction of screw driver for applying brake shoes:

At the left: from bottom to top.

At the right: from top to bottom.



4 Following adjustment, perform the following checkup: Depress pedal of parking brake down to first detent. In this position, the brake shoes of the parking brake should be lightly applied.

Attention!

Do not adjust adjusting screw (3) on intermediate lever when readjusting parking brake, since it serves only for compensation of cable lengths.

Basic adjustment

Basic adjustments are required when, e.g. one of the brake cable controls or the rear axle are replaced.

- 5 Completely loosen adjustment screw (3) on adjusting bracket.
- 6 Adjust brake shoes of parking brake (refer to item 1–4).
- 7 Screw adjusting screw into adjusting arm until pedal of parking brake can be depressed 4–6 teeth at a mean force of approx. 300 N.

Attention!

The lug on the adjusting screw (3) should always be vertical.

