

Note: These repair instructions apply only to models 107, 123 and 126.

Oil types/filling capacities and oil level checkup

ATF (automatic transmission fluid) or manual transmission oil	refer to specifications for service products	Page 236.2
	refer to specifications for service products	Page 237
	107, 123	1.4
Filling capacity approx. liters	126	1.2

Oil level checkup: With oil at operating temperature (approx. 80 °C) the oil level in supply tank should reach up to punched-in or cast-in mark (approx. 20 mm below edge of tank). With cold oil and at ambient temperature oil level should be 6–8 mm below mark. Use only perfectly clean oil for refilling, since already minimum particles of dirt may lead to trouble in hydraulic system.

Tightening torques

Nm


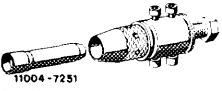
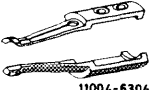
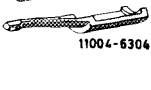
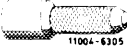
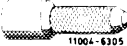
High-pressure expanding hose to power steering pump

45–50

Connecting pipe for return flow hose

45–50

Special tools

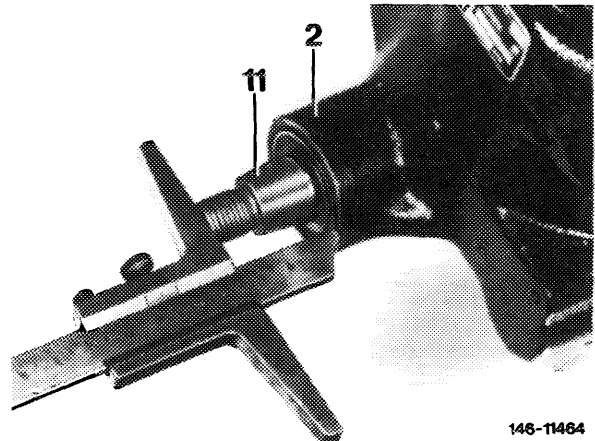
Puller for pulley		108 589 02 33 00
Puller for radial sealing ring (baisc unit)		116 589 24 33 00
Claw 33 mm dia. for Vickers VT 27, ZF and Vickers VT 49 2nd version		116 589 06 34 00
Claw 30 mm dia. for Vickers VT 49 1st version		116 589 05 34 00
Installation mandrel 33 mm dia. for Vickers VT 27, ZF and Vickers VT 49 2nd version		116 589 14 15 00
Installation mandrel 30 mm dia. for Vickers VT 49 1st version		116 589 13 15 00

Removal

- 1 Remove power steering pump.
- 2 Remove Woodruff key on drive shaft.

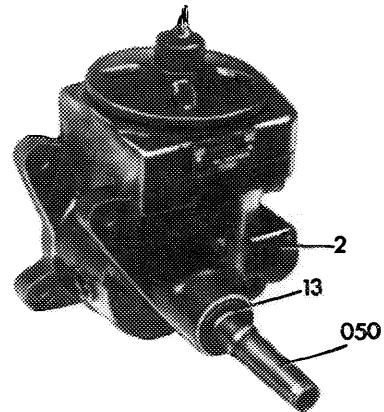
3 On Vickers power steering pump VT 49 measure outlet end dimension of drive shaft in relation to pump flange.

Note: The dimension of drive shaft must be obtained because the drive shaft must not be forced into pump housing when pulling off the radial sealing ring. To check, measure again after removing sealing ring. Note that both measured values must be the same. If the dimension is larger during 2nd measurement, disassemble power steering pump and recondition.



146-11464

- 4 Screw guide sleeve (050) on drive shaft.



146-10141

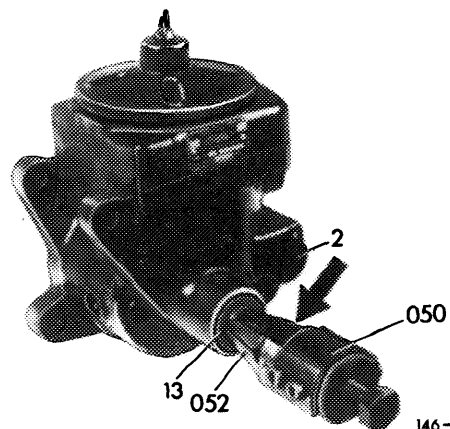
- 5 Screw back hex. screw of puller (050) and slip device on drive shaft, while punching with claws (051) through sealing lips of radial sealing ring (13).

Note: For power steering pumps, the puller requires the following claws:

Vickers VT 27, ZF, Vickers VT 49 2nd version
= 33 mm dia.

Vickers VT 49 1st version = 30 mm dia.

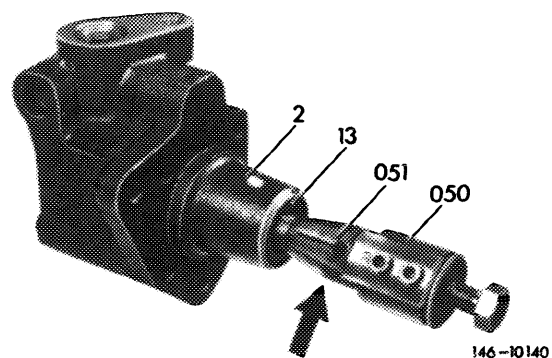
The respective claws must be attached to puller. The claw diameter is punched in.



146-10142

6 Turn clamping cone (arrow) of puller (050) up to stop in clockwise direction and pull sealing ring out of case.

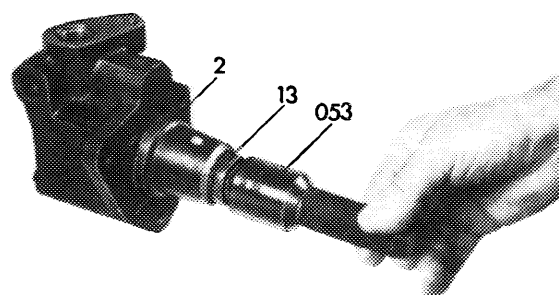
7 On Vickers power steering pump VT 49, measure axial play of drive shaft (refer to note following item 3).



Installation

8 Slip radial sealing ring (13) over guide sleeve (050) on drive shaft and knock into case by means of respective installation mandrel (053).

Note: For Vickers power steering pump VT 27, ZF and Vickers VT 49 2nd version the installation mandrel with 33 mm dia. will be required, and for VT 49 pump 1st version the installation mandrel with 30 mm dia.



9 Insert Woodruff key into drive shaft.

10 Install power steering pump.