

46–760 Removal and installation of mounting bracket for power steering pump

Tightening torques	Nm
Hex screws M 8	25
Hex screws M 10	50
Hex socket screw 123.020, 123.023	50
Hex screw (chain locking screw) model 123.020, 123.023	90

Removal

All models

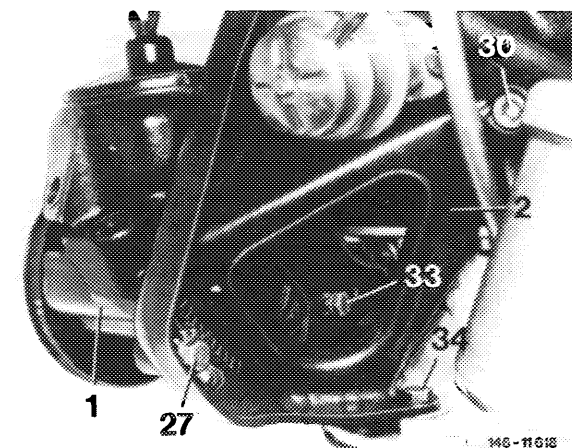
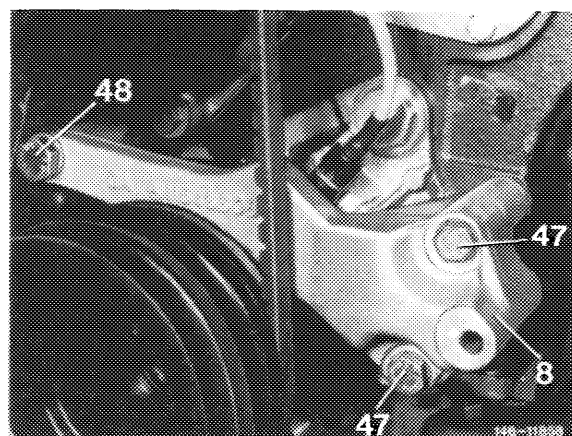
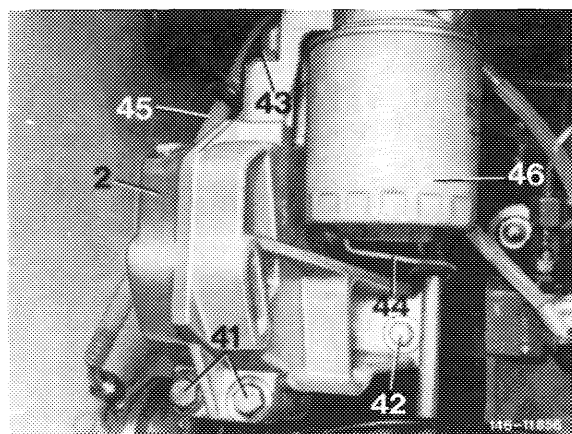
- 1 Remove power steering pump (46–710).

Model 123.1

- 2 Unscrew hex screws for fastening fuel filter.
- 3 Unscrew hex screws (43) for fastening guide tube for oil dipstick.
- 4 Unscrew hex screws (41) and (42), as well as hex screws for fastening mounting bracket out of cylinder head and remove mounting bracket (2).

Models 123.020, 123.023

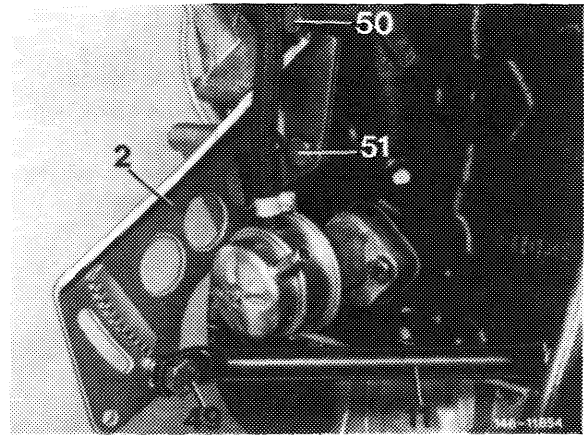
- 5 Unscrew hex screws (48) and (47) at front end of cylinder crankcase and remove holder (8).
- 6 Unscrew chain locking screw and hex socket screw (30).
- 7 Unscrew hex screw (34) from oil pan top. Unscrew hex nuts from combination screws at face end attachment of mounting bracket. Remove mounting bracket.



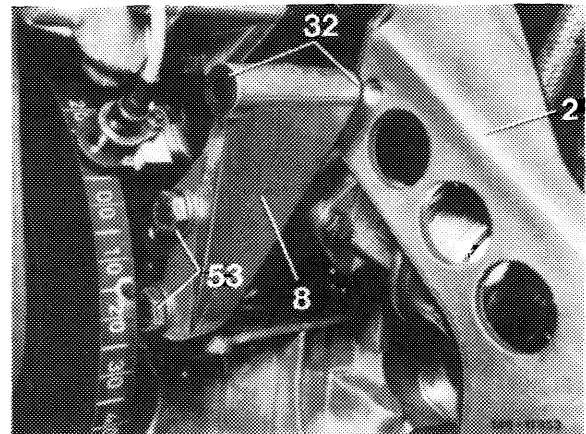
Models 123.026, 123.03

8 Unscrew hex screws (50) and (51) from cylinder crankcase.

9 Loosen strut (11) on mounting bracket and remove mounting bracket.



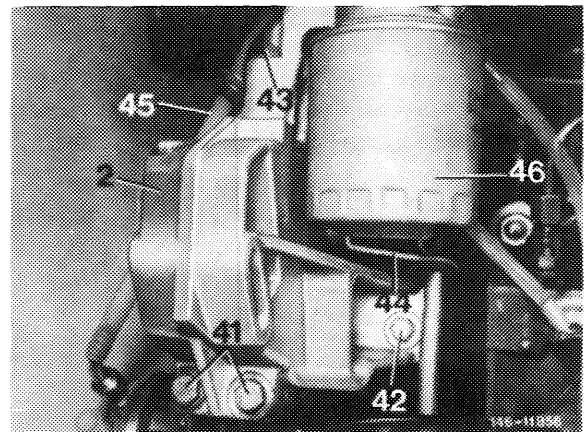
10 Holder (8) can be removed only after removing pulley including vibration damper.



Installation

Model 123.1

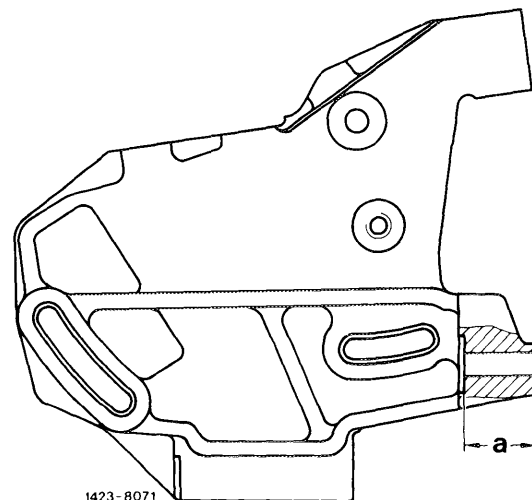
11 Attach mounting bracket to the cylinder crankcase and fuel filter as well as guide tube for oil dipstick to mounting bracket. Watch out for perfect installation of vacuum line.



Note: When installing a new carrier, observe the following:

Dimension "a" carrier 1st version = 33.5 mm
Length of hex. bolt (42) = 45 mm.

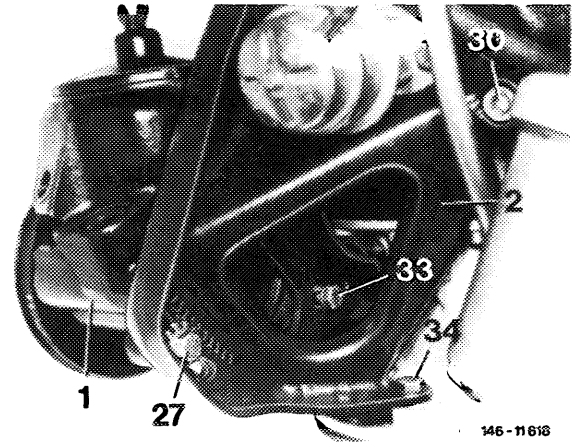
Dimension "a" carrier 2nd version = 29 mm
Length of hex. bolt (42) = 40 mm



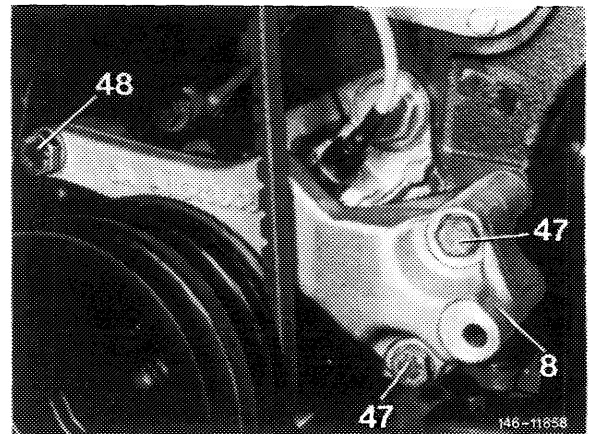
Models 123.020, 123.023

12 Attach mounting bracket laterally to cylinder crankcase, to oil pan top and to face end on oil pan.

Note: Install timing chain locking screw with sealing compound, e.g. Hylomar, and tighten to 90 Nm.

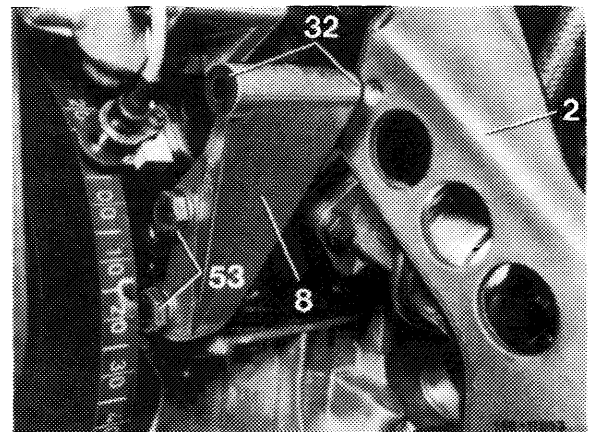


13 Attach holder (8) on the face end of cylinder crankcase.



Models 123.026, 123.03

14 Check plastic bushings (32) in holder and renew bushings, if required. Attach mounting bracket laterally to cylinder crankcase and to strut.



All models

15 Install power steering pump (46-710).