

Standard version

Headlamp flasher: With ignition switched on only.

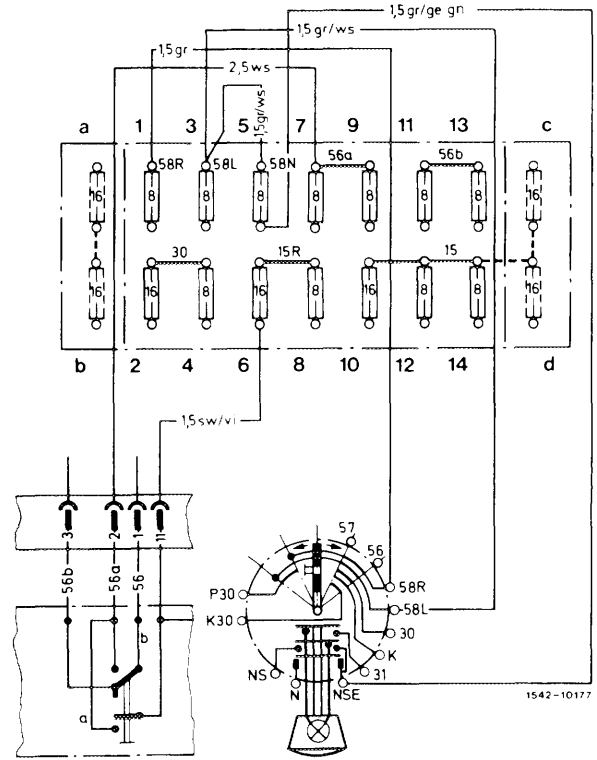
Fog lamp: Switched on in combination with parking lamp, high beam and low beam.

Backup lamp: Only with ignition switched on and reverse gear engaged.

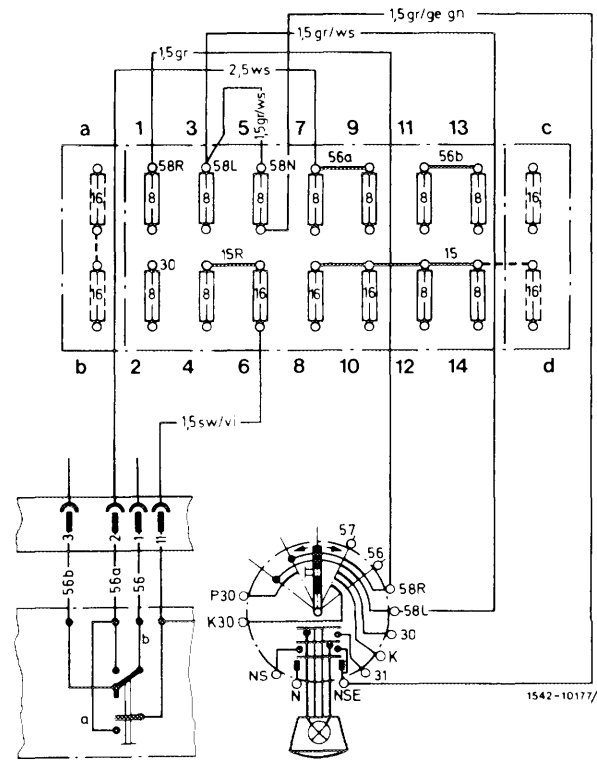
Standing lamp: Switched on separately left and right with ignition switched off.

These connections are in accordance with standard version.

1st version

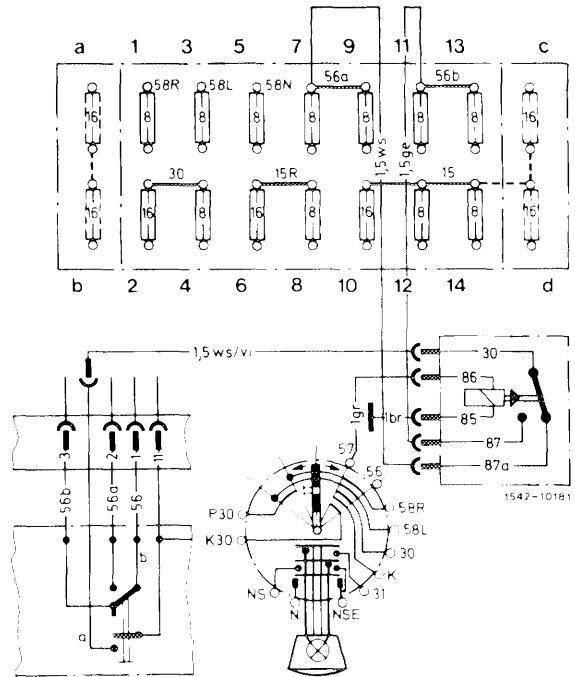


2nd version



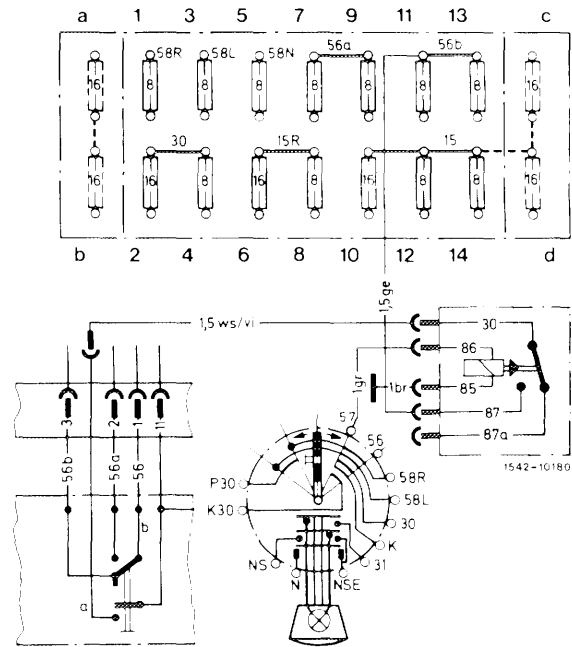
**Headlamp flasher: France, Italy version,
special version 10.439**

Headlamp flasher: With lamp switched off and ignition switched on similar to series; with parking lamp headlamp flasher with low beam (dimmer).



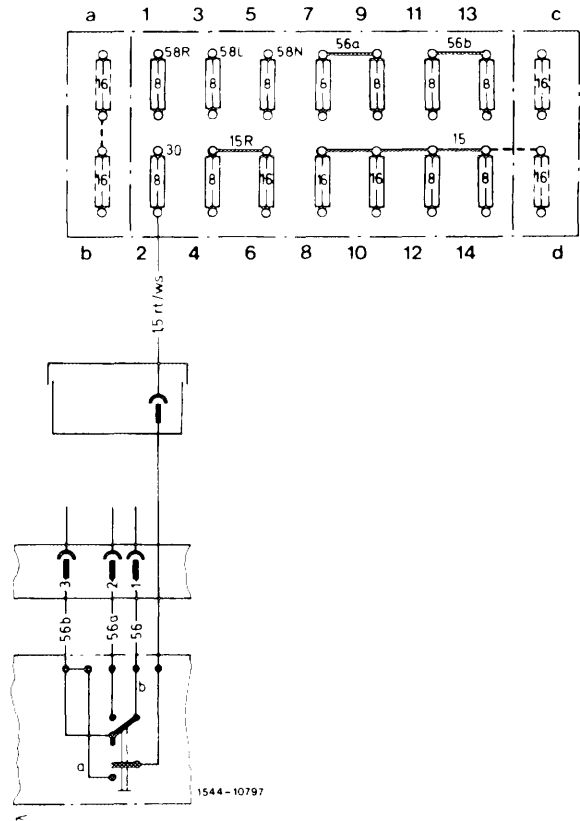
Headlamp flasher: Portugal version

Headlamp flasher: With high beam with ignition switched on; with low beam with parking lamp switched on.



1st version
Special version 10.427

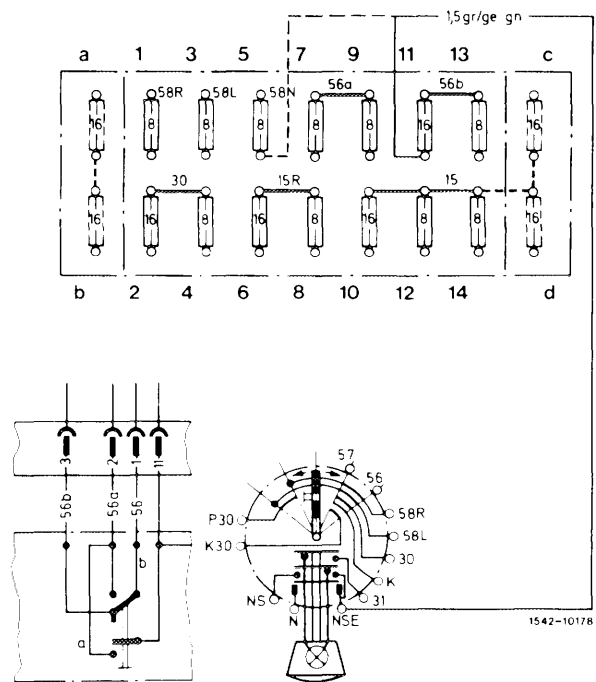
Headlamp flasher: With low beam only.



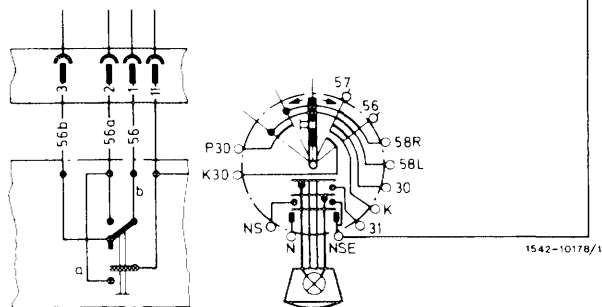
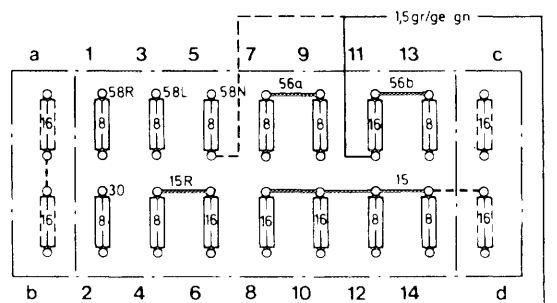
2nd version
Special version 10.439

Fog lamp:  version,
special version 10.940

Fog lamp: Switches only in connection with low beam – This connection is included in USA main harness.



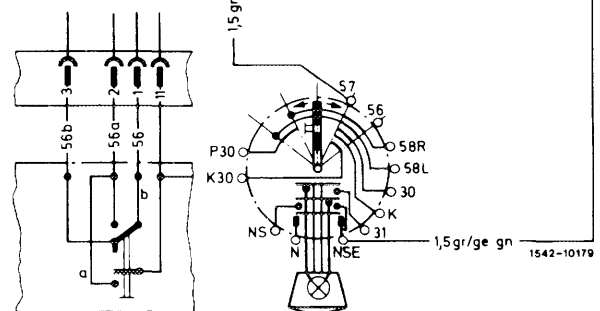
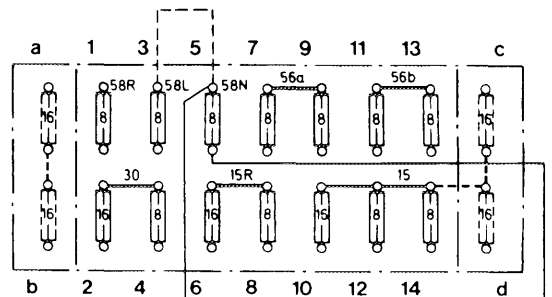
1st version



2nd version

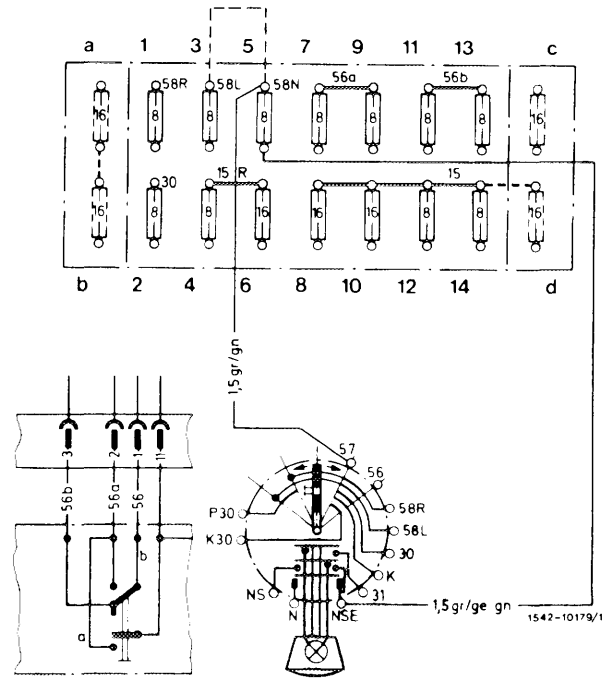
Fog lamp: Australia, France, Norway, Sweden, Switzerland version, special version 10.580

Fog lamp: Switches only in connection with parking lamp.



1st version

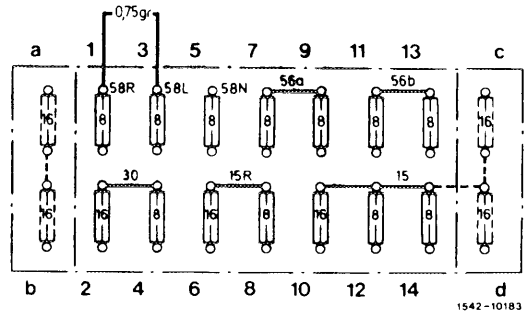
2nd version
(except France)



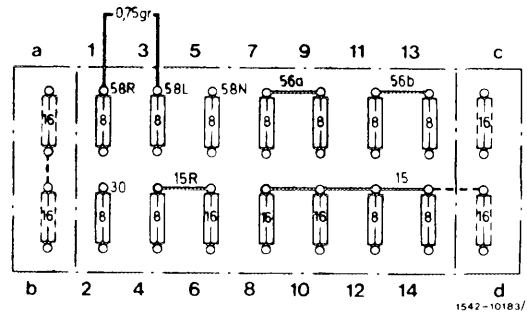
Standing lamp: Japan version

Standing lamp: Can be switched-on on both sides only (installed by general importer).

1st version



2nd version

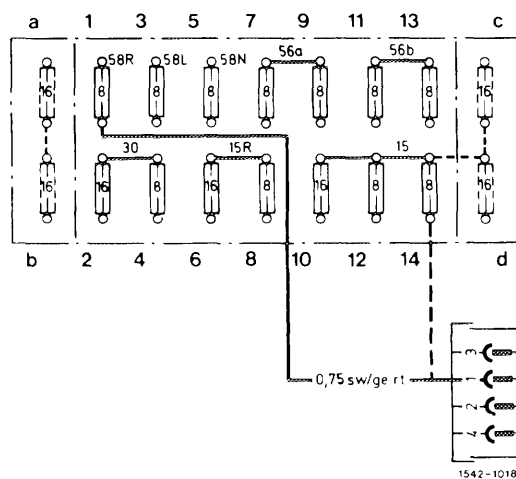


**Standing lamp: Norway version,
special version 011.128**

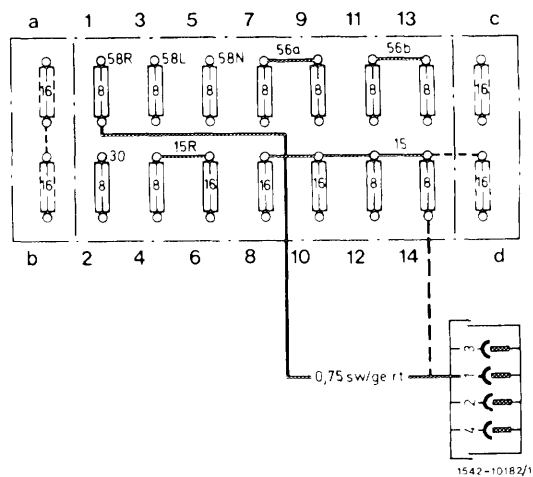
Standing lamp: Both standing lamp positions are idle positions. Switch on parking lamp as standing lamp.

**Backup lamp: Italy version,
special version 11.076**

Backup lamp: With lamps switched on and reverse gear engaged only.



1st version



2nd version