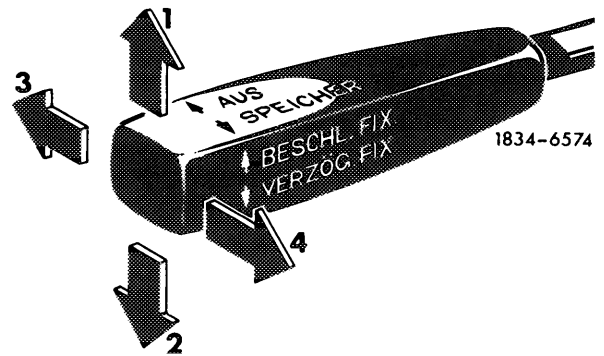


## 54–515 Checking switch

- 1 Check brake light for function.
- 2 Pull off 12-pole coupling on control unit, remove lefthand cover under instrument panel for this purpose.
- 3 Switch on ignition and complete test with voltmeter as follows.

Terminal on coupling of control unit	Position of switch	Nominal value
– to 12 + to 8	Rest position	> 11 V
– to 12 + to 8	3 (off)	0 V
– to 12 + to 5	Rest position	> 11 V
– to 12 + to 6	Actuate brake	> 11 V
– to 12 + to 9	1 (accelerate)	> 11 V
– to 12 + to 4	2 (decelerate)	> 11 V
– to 12 + to 10	4 (resume)	> 11 V



- 4 If the voltmeter does not indicate in rest position on terminal 12/8, check connection of line harness on stop light switch (5).
- 5 If connection is in order, renew switch (1) if indication is negative.

### Wiring diagram

- |                |                     |
|----------------|---------------------|
| 1 Switch       | 3 Sensor            |
| SP = resume    | 4 Actuator          |
| V = decelerate | 5 Stop light switch |
| A = off        | 6 Stop light        |
| B = accelerate | a Terminal 15       |
| 2 Control unit |                     |

