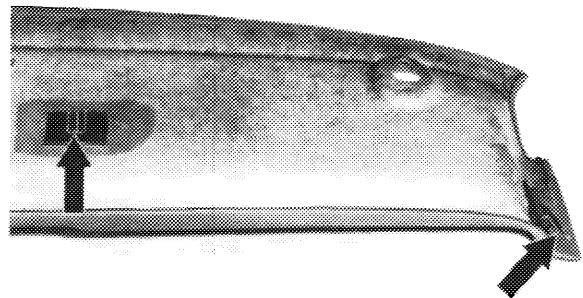


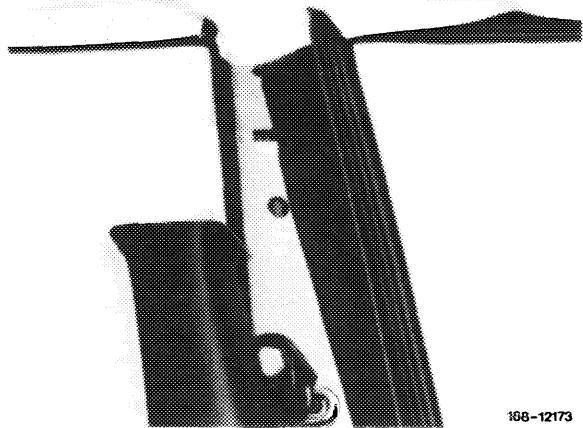
Removal

- 1 Remove paneling at front on roof frame (68-400).
- 2 Remove handle from roof frame.



168-12493

- 3 Unscrew paneling for center pillar left and right and take off.
- 4 Take off edge protection in head lining area.



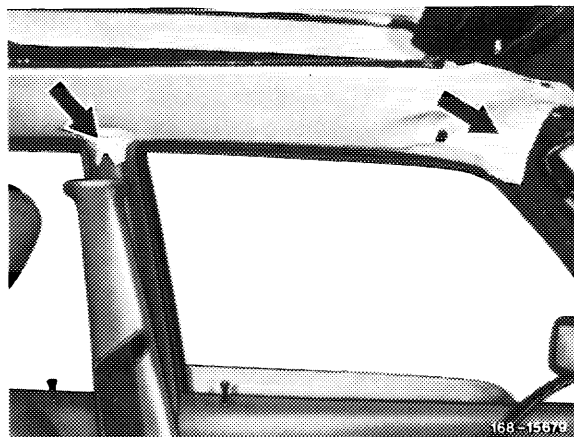
168-12173

- 5 Unscrew paneling at rear on roof frame and pull out of roof frame (arrows) and out of rubber frame of lateral glass panes in rear compartment in rearward direction (68-447).
- 6 Take off head lining at rear on roof frame.

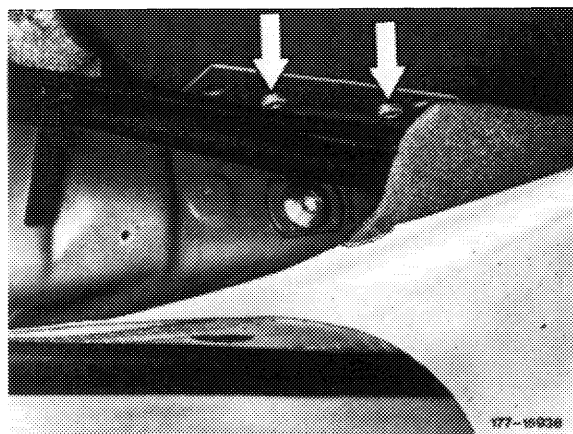


168-15678

7 On vehicles without sliding roof, take off head lining in door area and loosen at glued spots to give an access to fastening screws of roof railing.



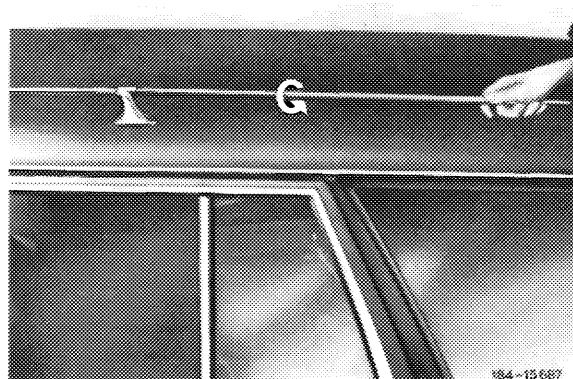
8 Unscrew fastening screws for rear holder of roof railing and pull holder from tubing of roof railing toward the rear.



9 Unscrew rear rod of roof railing from front rod.

10 Pull front rod of roof railing from front holder.

11 Unscrew front and center holder of roof railing.



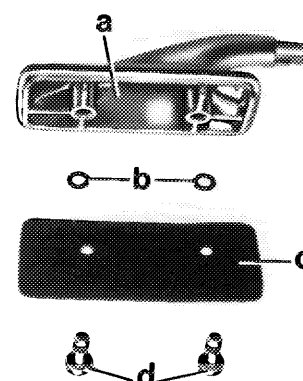
Installation

Attention!

Replace micro-encapsulated screws (d) of roof railing each time after unscrewing or loosening screws.

Deburr threaded bores in holders (a) manually by means of a drill (approx. 12 mm dia.).

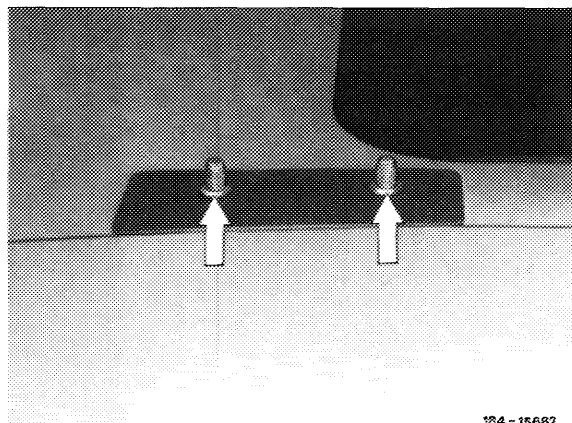
a Front holder c Seal
b O-rings d Screws



184-15686

12 Insert screws for front holder of roof railing from inside through roof paneling and slip-on sealing.

13 Slip one O-ring on each screw over sealing (arrows).

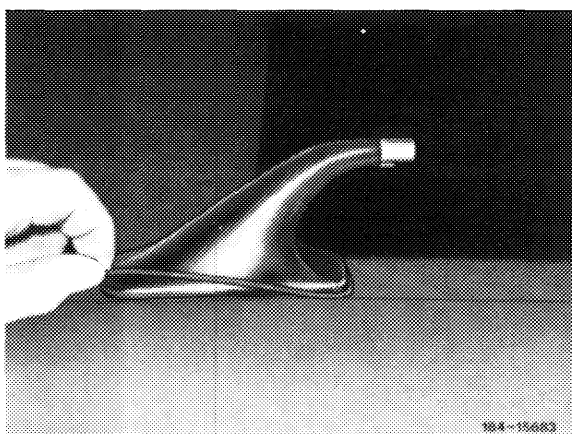


124 - 15687

14 Install front holder of roof railing and tighten slightly.

15 Clamp sealing ring under front holder.

16 Install center holder of roof railing similar to front holder.



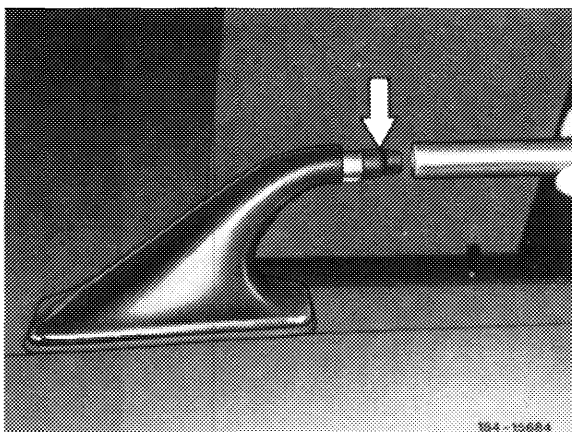
124 - 15683

17 Wind two layers of plastic insulating tape around pin of front holder.

18 Push front rod of roof railing on front holder.

19 Plug rubber buffer on rear rod of roof railing.

20 Turn rear rod of roof railing into front rod until rear holder can be mounted between rod and holder without play.

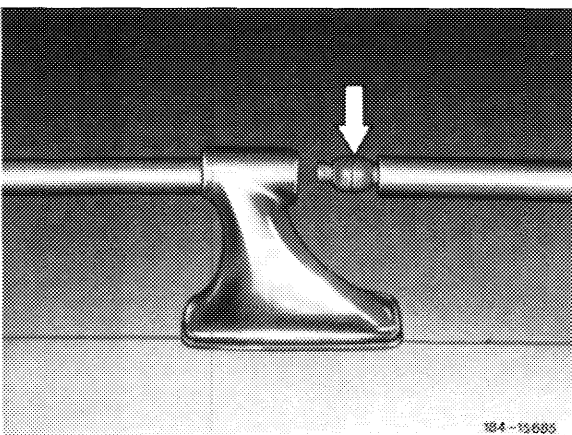


124 - 15684

21 Wind plastic insulating tape around pin of rear holder similar to front holder and install likewise.

22 Tighten all fastening screws of roof railing **with a torque wrench** to 13 Nm (1.3 kpm).

23 For further installation proceed vice versa.



124 - 15685