

80–200 Removal and installation, as well as adjustment of vacuum switch of driver's door

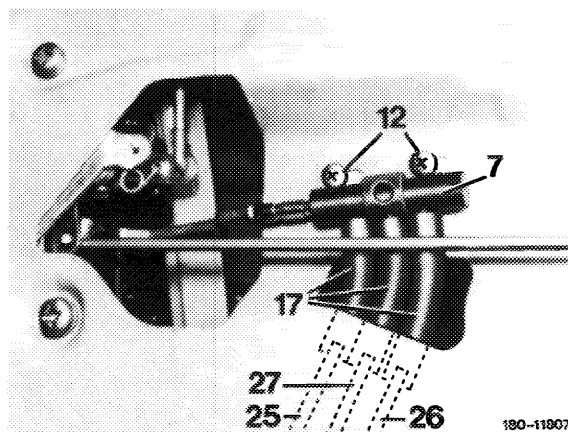
Color code of vacuum lines for central interlock

Vacuum line	color code
Suction line to vacuum switch (27)	yellow
Interlocking line (25)	yellow-red
Unlocking line (26)	yellow-green

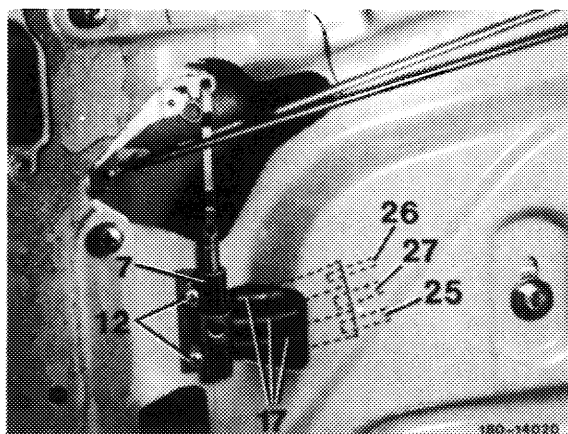
Removal

- 1 Remove door lining.
- 2 Pull connections (17) together with interlocking line (25), unlocking line (26) and suction line (27) from vacuum switch (7).
- 3 Unscrew oval head screws (12) from vacuum switch (7).
- 4 Disconnect vacuum switch from door lock.

Layout sedans and T-sedans

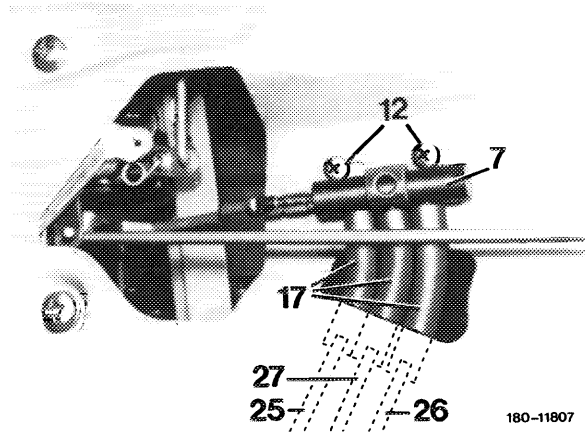


Layout in coupe



Installation

- 5 Connect vacuum switch to door lock.
- 6 Attach vacuum switch (7) with oval head screws (12) in such a manner that switch will be hard to move within its oblong holes.
- 7 Slip connections (17) with interlocking line (25) unlocking line (26) and suction line (27) on vacuum switch (7).

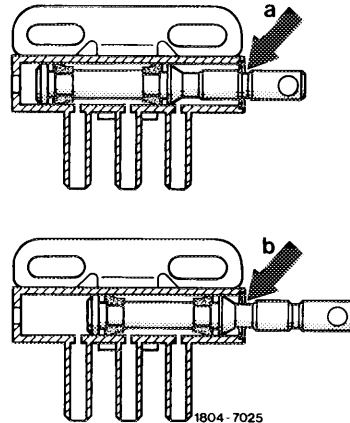


- 8 Run engine for a short moment, insert door key into lock and open and close.

Note: Central interlock should already respond before the key is at its respective end position.

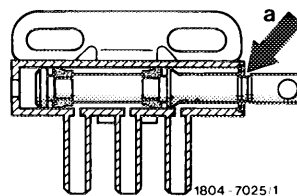
Version A (no longer installed):

Adjust plastic vacuum switch in such a manner that in unlocked condition the outer edge of the switch is in alignment with center of outer (refer to arrow a) or in locked condition with center of inner adjusting groove (refer to arrow b).



Version B:

Adjust plastic vacuum switch in such a manner that the outer edge of the switch in unlocked condition (in sedans) or in locked condition (in coupes) is in alignment with center of adjusting groove (refer to arrow a). This plastic vacuum switch replaces all the former versions.



Attention!

If the adjusting range is inadequate, extend oblong holes (slots) in holder by filing.

9 Tighten oval head screws (12) of vacuum switch (7).

10 Install door lining.

