

80–210 Removal and installation of vacuum element of front passenger's door

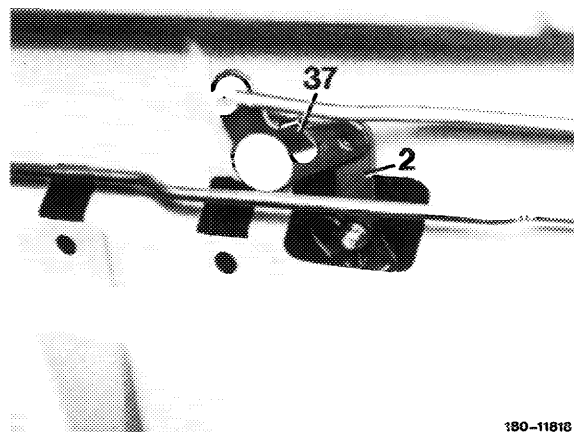
Color code of vacuum lines for central interlock

Vacuum line	color code
Interlocking line (25)	yellow-red
Unlocking line (26)	yellow-green

Removal

- 1 Remove door lining.
- 2 Disconnect safety clip (37) and remove.

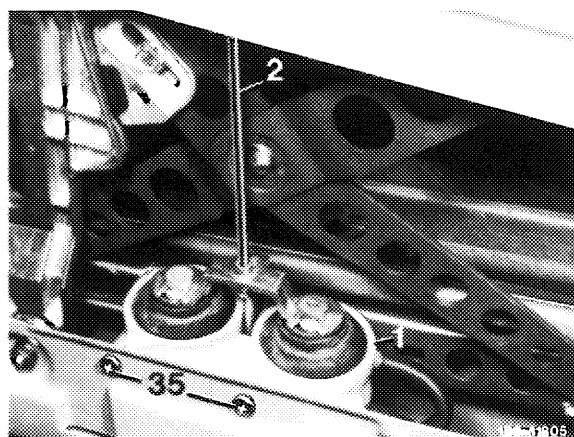
2 Control rod
37 Safety clip



180-11818

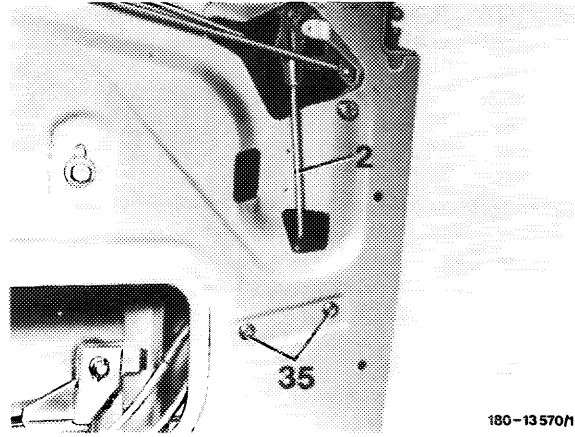
- 3 Unscrew oval head screws (35) from vacuum element (1).
- 4 Remove vacuum element (1) with control rod (2).

Layout sedans and T-sedans

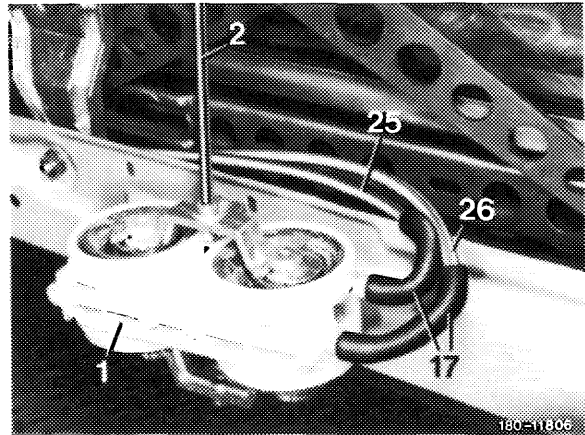


180-11805

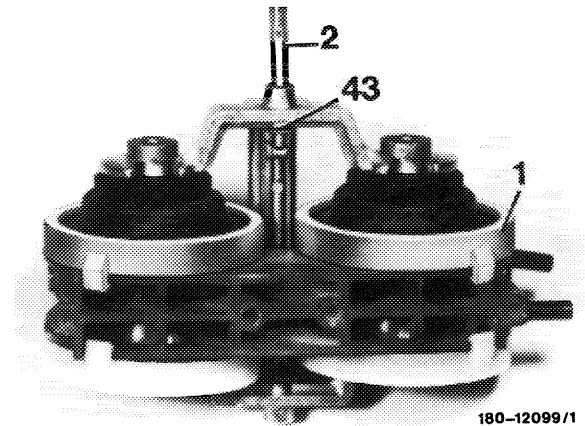
Layout in coupe



5 Pull connections (17) with interlocking line (25) and unlocking line (26) from vacuum element (1).



6 Loosen lock washer (43) of shift rod (2) on vacuum element (1) and pull out shift rod.



Installation

7 For installation proceed vice versa, with the vacuum connections facing the driving direction.