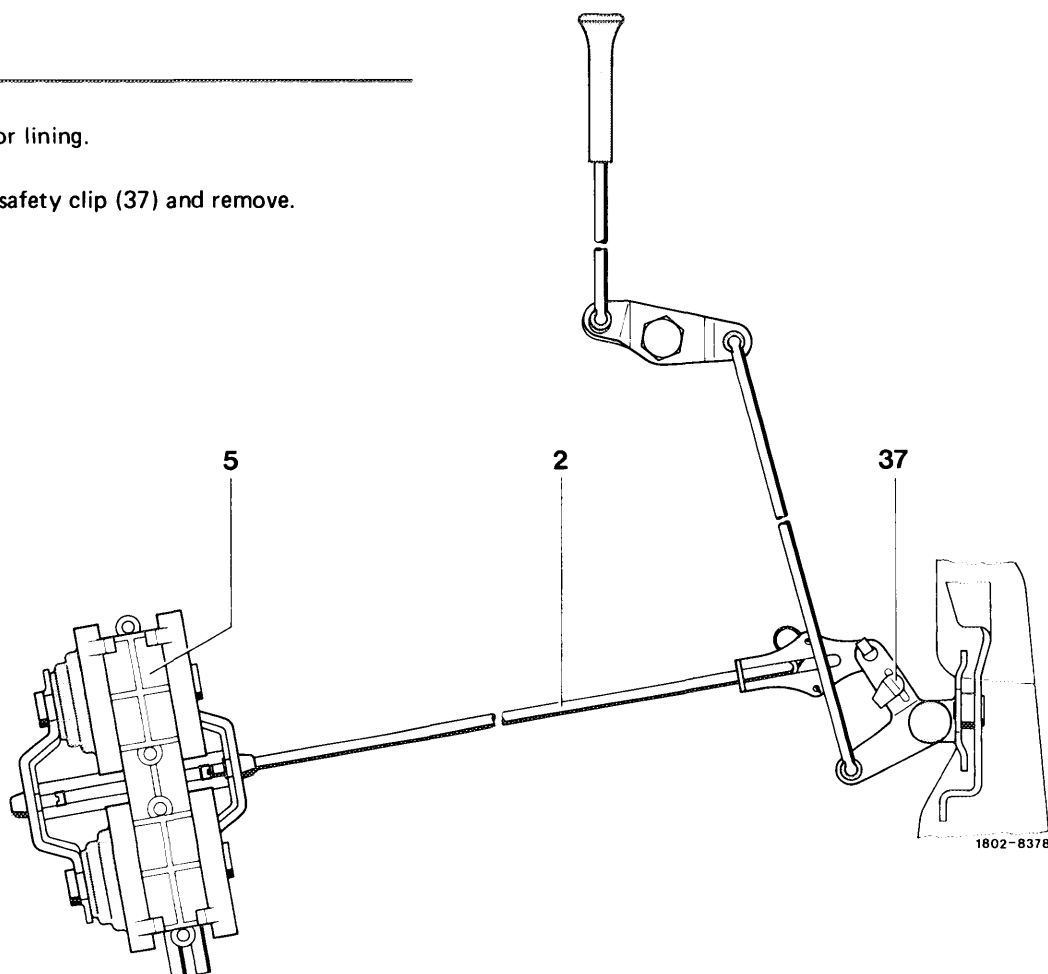


Color code of vacuum lines for central interlock

Vacuum line	color code
Interlocking line (25)	yellow-red
Unlocking line (26)	yellow-green

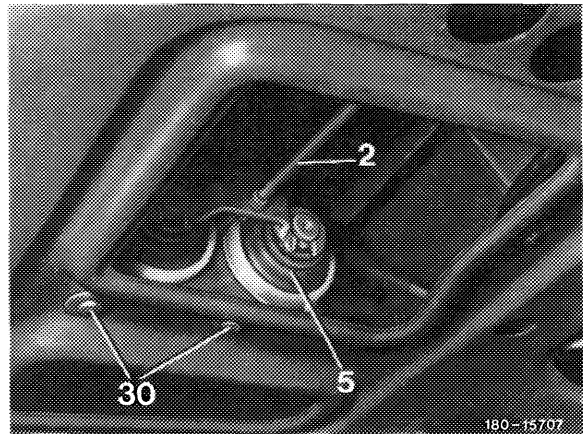
Removal

- 1 Remove door lining.
- 2 Disconnect safety clip (37) and remove.

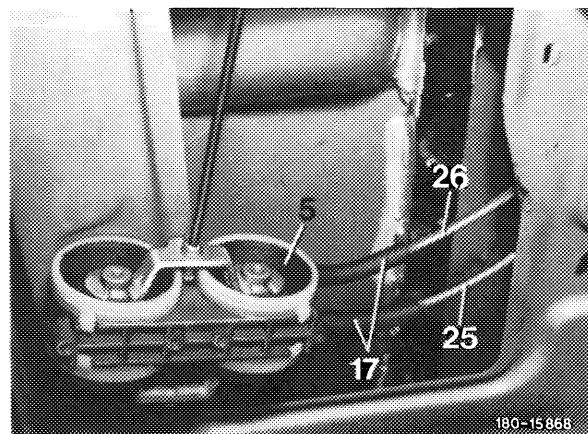


3 Unscrew oval head screws (30) for vacuum element.

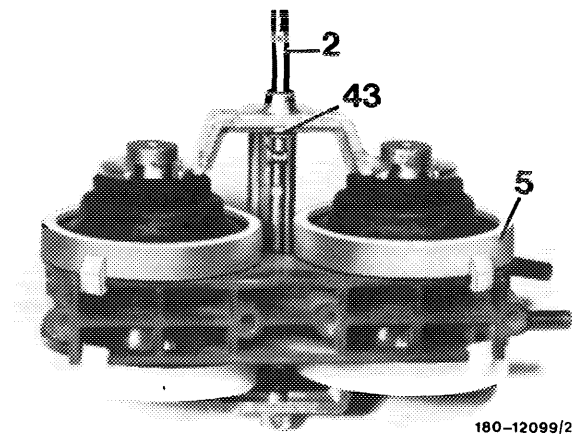
4 Remove vacuum element (5) with control rod (2).



5 Pull connection (17) with interlocking line (25) and unlocking line (26) from vacuum line (5).



6 Pull off lock washer (43) of control rod (2) on vacuum element (5) and pull out control rod.



Installation

7 For installation proceed vice versa.

Attention!

Slip interlocking line (25) on lower connection and unlocking line (26) on upper connection.