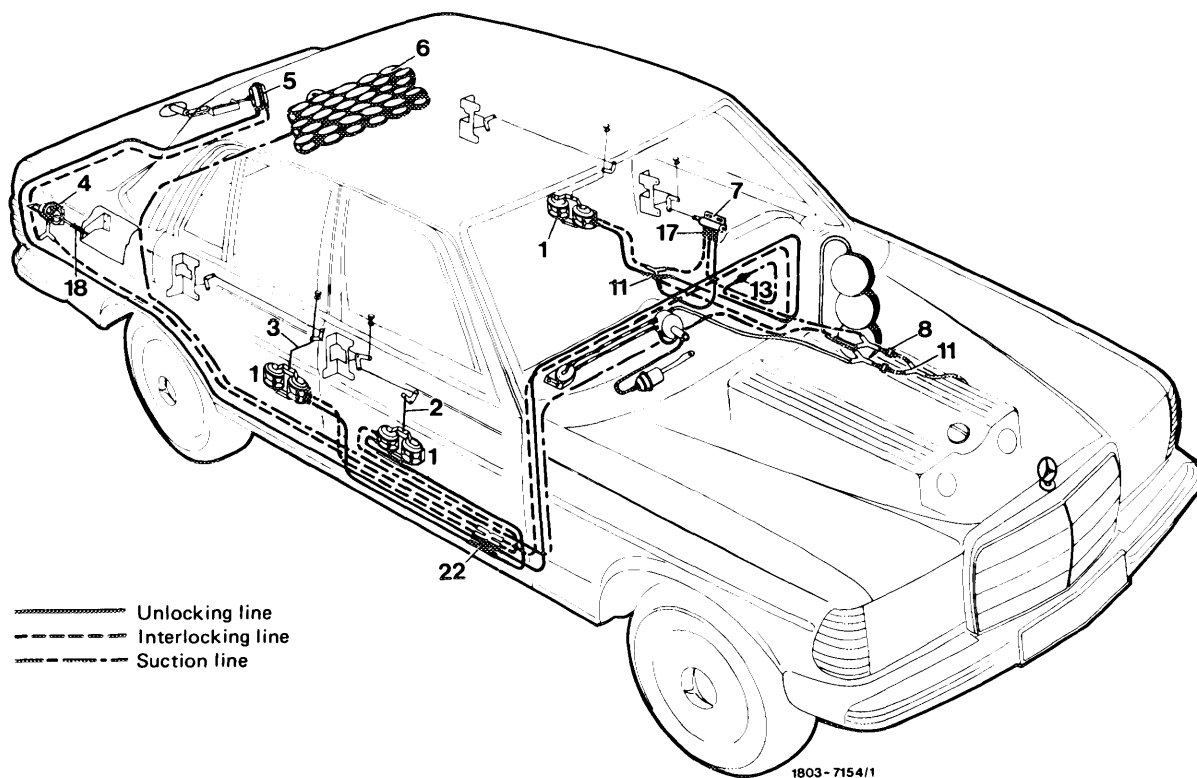


80–900 Functional diagram central interlock

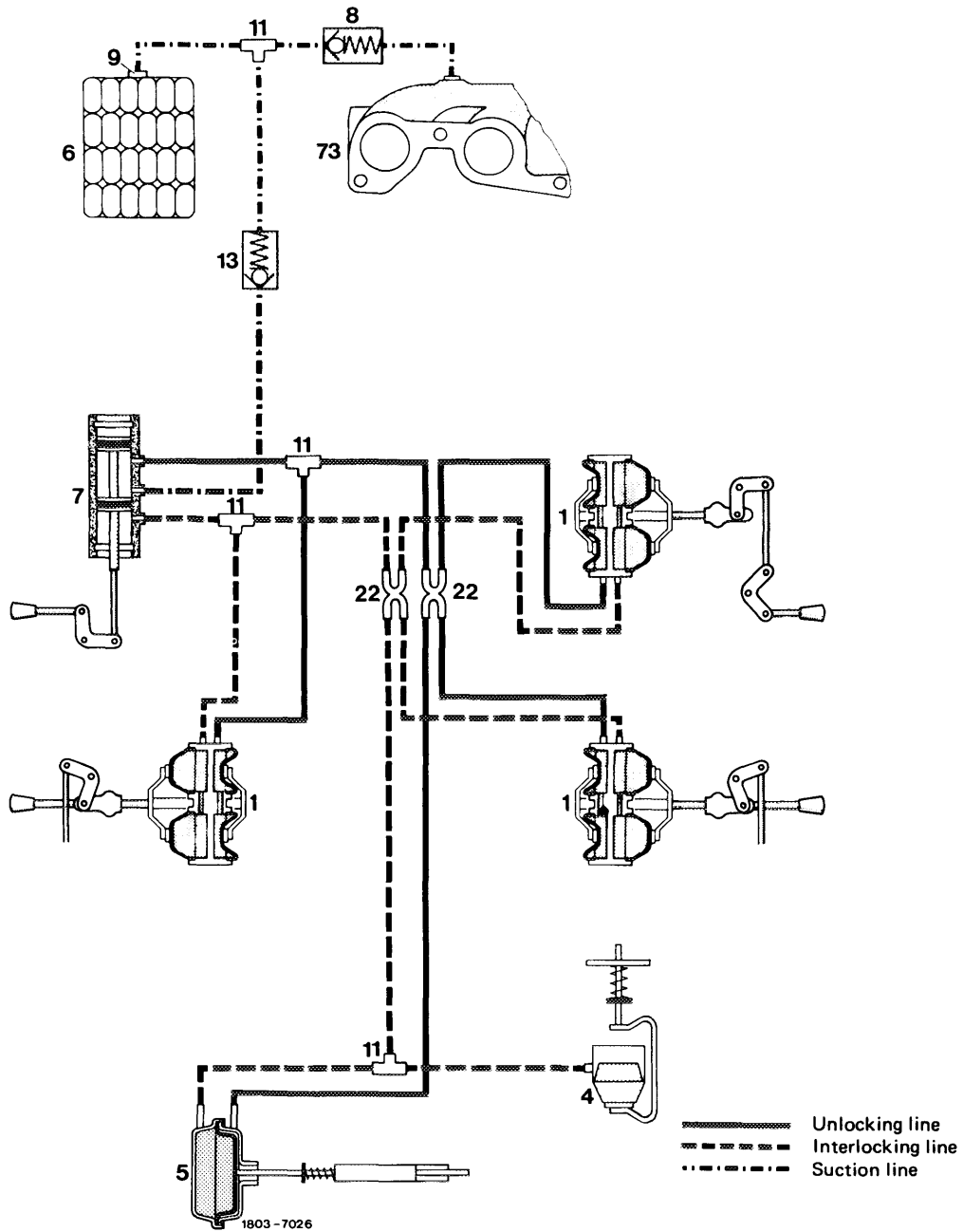
A. Line layout models 123.1, 123.02/03



- 1 Vacuum element (driver's and rear doors)
- 2 Control rod (front passenger door)
- 3 Control rod (rear doors)
- 4 Vacuum element (flap for tank filler neck)
- 5 Vacuum element (trunk lid)
- 6 Vacuum supply tank
- 7 Vacuum switch
- 8 Check valve

- 11 Three-way distributor
- 13 Check valve
- 17 Connection
- 18 Compression spring
- 22 Four-way distributor

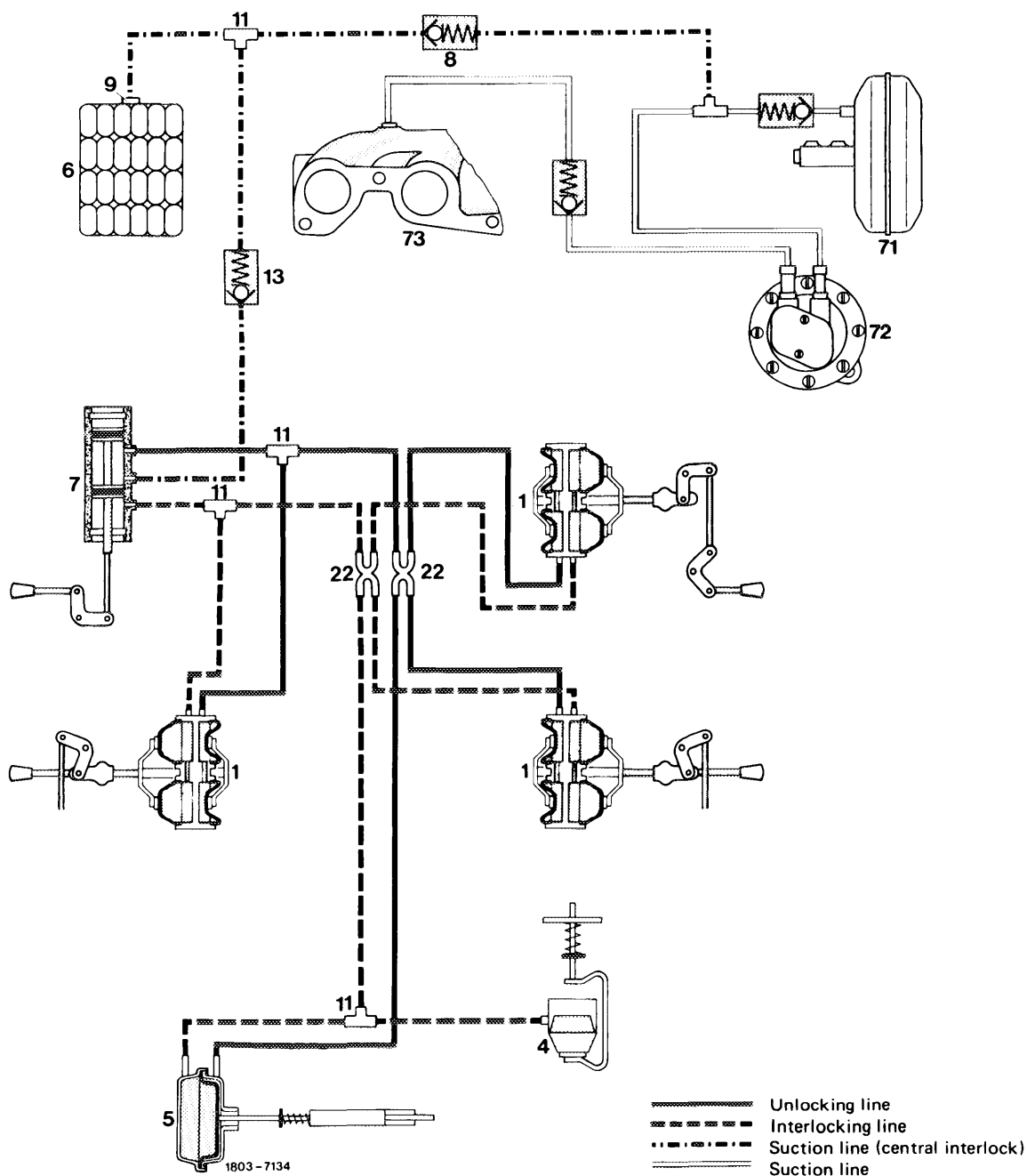
B. Circuit diagram models 123.02/03



- 1 Vacuum element (driver's and rear doors)
- 4 Vacuum element (flap for tank filler neck)
- 5 Vacuum element (trunk lid)
- 6 Vacuum supply tank
- 7 Vacuum switch
- 8 Check valve

- 9 Seal
- 11 Three-way distributor
- 13 Check valve
- 22 Four-way distributor
- 73 Suction pipe

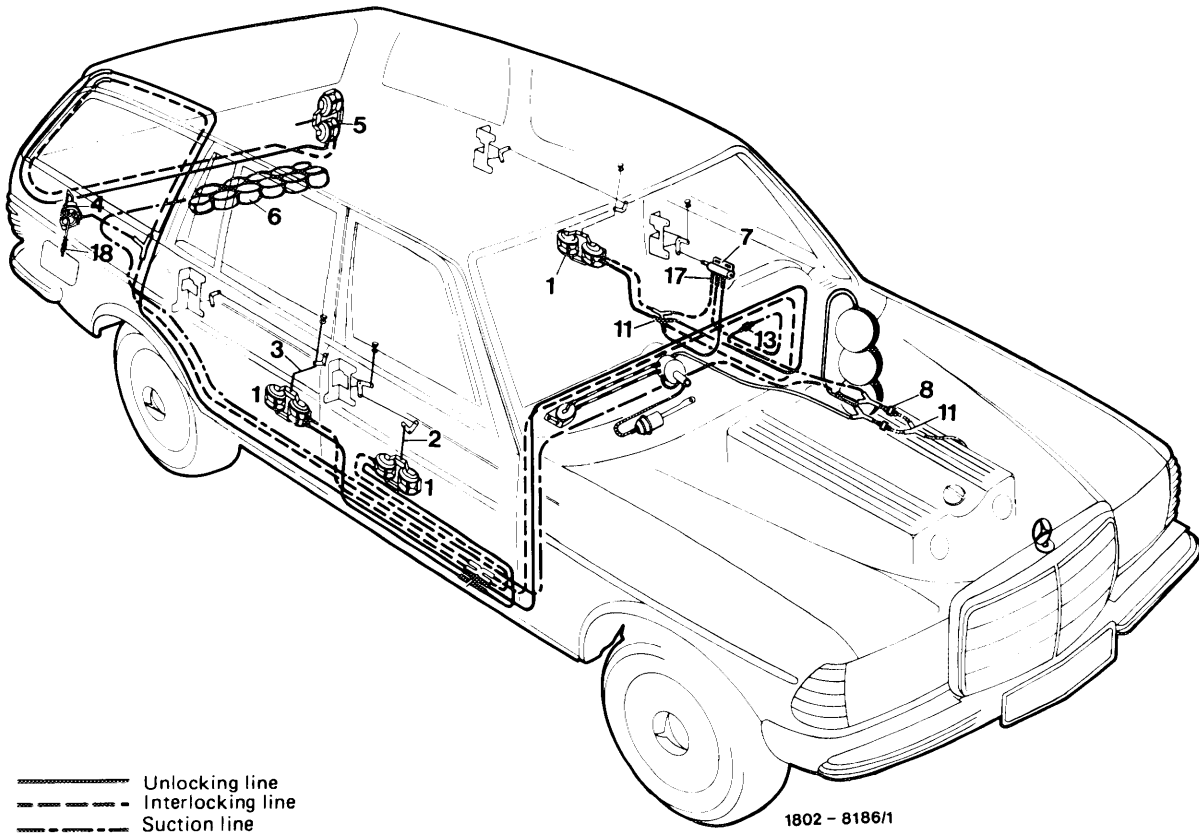
C. Circuit diagram model 123.1



- 1 Vacuum element (driver's and rear doors)
- 4 Vacuum element (flap for tank filler neck)
- 5 Vacuum element (trunk lid)
- 6 Vacuum supply tank
- 7 Vacuum switch
- 8 Check valve
- 9 Seal

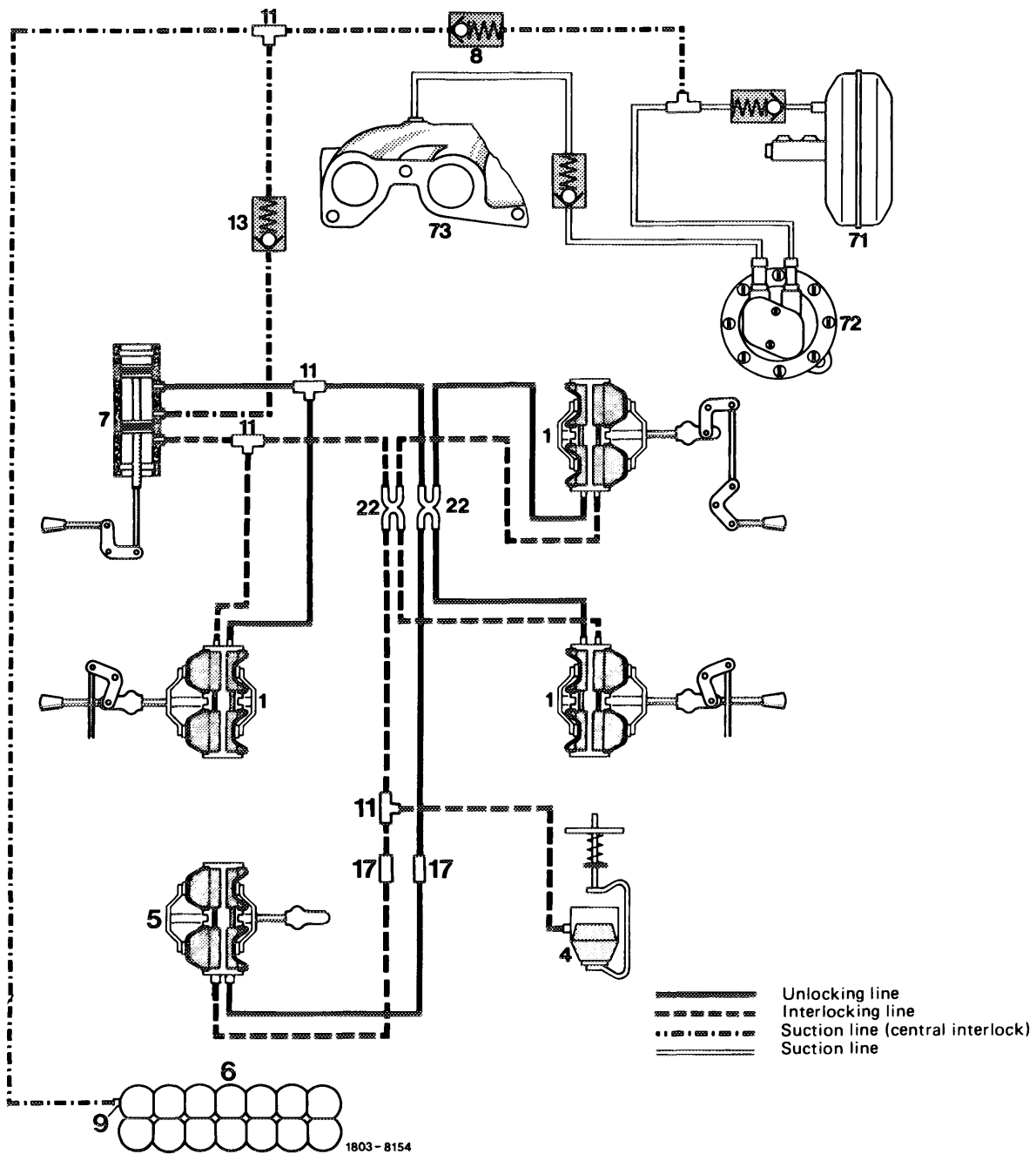
- 11 Three-way distributor
- 13 Check valve
- 22 Four-way distributor
- 71 Brake unit
- 72 Vacuum pump
- 73 Suction pipe

F. Line installation models 123.08/09, 123.183/190



- |  |                          |
|--|--------------------------|
| 1 Vacuum element (driver's and rear doors)   | 7 Vacuum switch          |
| 2 Control rod (front passenger door)         | 8 Check valve            |
| 3 Control rod (rear doors)                   | 11 Three-way distributor |
| 4 Vacuum element (flap for tank filler neck) | 13 Check valve           |
| 5 Vacuum element (rear door)                 | 17 Connection            |
| 6 Vacuum reservoir                           | 18 Compression spring    |

H. Wiring diagram models 123.183/190



- |  |                          |
|--|--------------------------|
| 1 Vacuum element (driver's and rear doors)   | 11 Three-way distributor |
| 4 Vacuum element (flap for tank filler neck) | 13 Check valve           |
| 5 Vacuum element (rear door)                 | 17 Connection            |
| 6 Vacuum reservoir                           | 22 Four-way distributor  |
| 7 Vacuum switch                              | 71 Braking unit          |
| 8 Check valve                                | 72 Vacuum pump           |
| 9 Sealing                                    | 73 Intake pipe           |