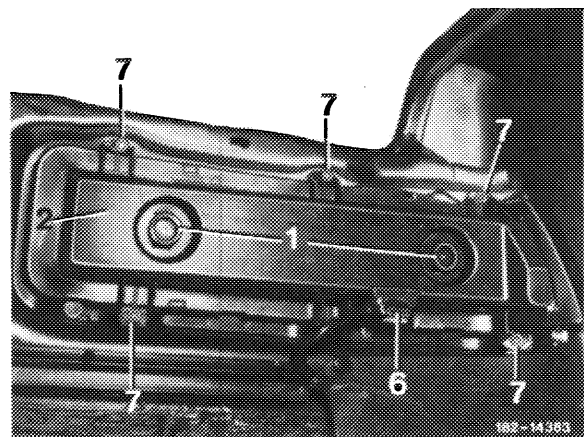


A. Sedan and coupe

Removal

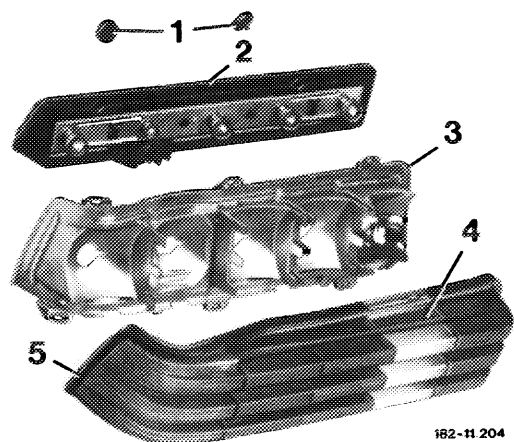
- 1 Unscrew knurled nuts (1) and remove lamp carrier (2) after pulling off coupler (6).
- 2 Unscrew fastening nuts (7).



- 3 Remove housing (3) in inward direction, light window (4) with seal (5) in outward direction.

Installation

- 4 For installation proceed vice versa.



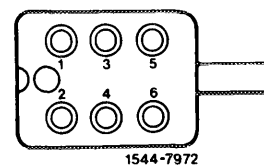
Layout of couplers

Left

- 1 grey/green
- 2 brown
- 3 black/white
- 4 grey/yellow
- 5 black/red
- 6 grey/black

Right

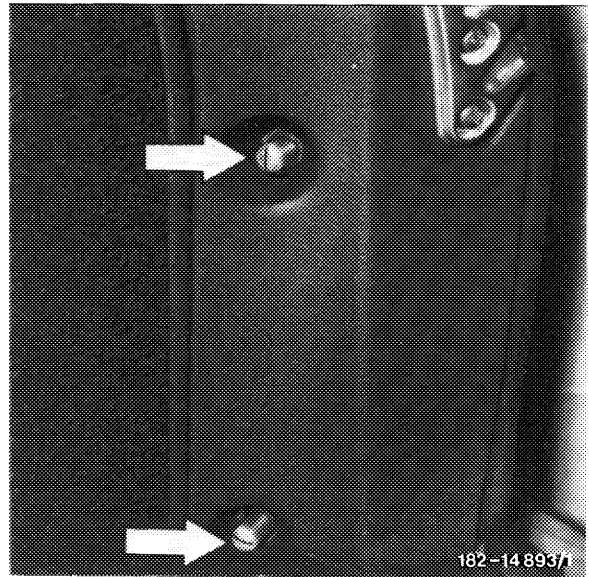
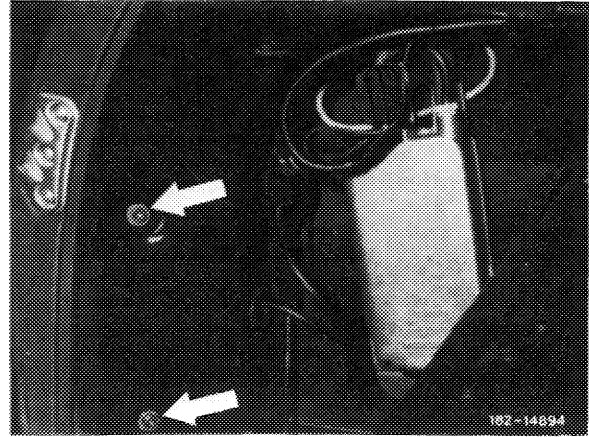
- vacant
 brown
 black/green
 grey/yellow
 black/red
 grey/red



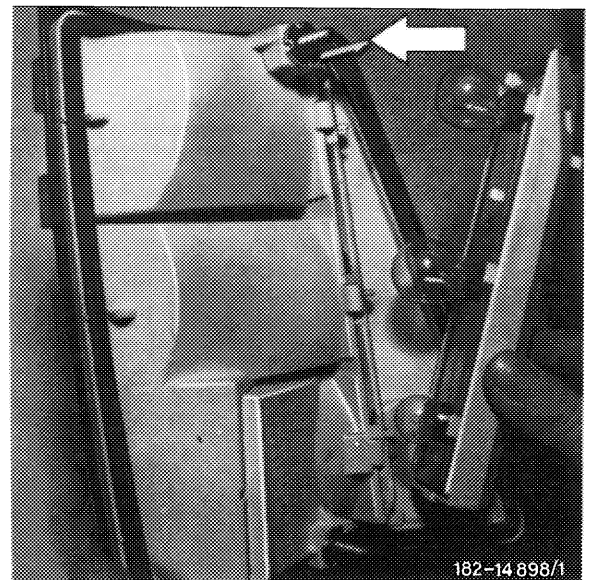
B. T-sedan

Removal

1 Unscrew fastening nuts and pull out tail lamp unit toward the rear.



2 Remove lamp carrier in upward direction, slightly lifting detent lever for this purpose.



Installation

3 For installation proceed vice versa.

Layout of couplers

Left

- 1 black/white
- 2 brown
- 3 black/red
- 4 grey/black

Right

- black/green
- brown
- black/red
- grey/black

