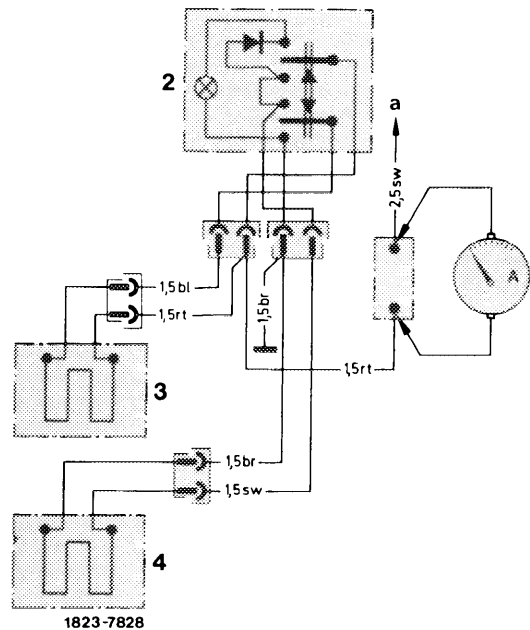
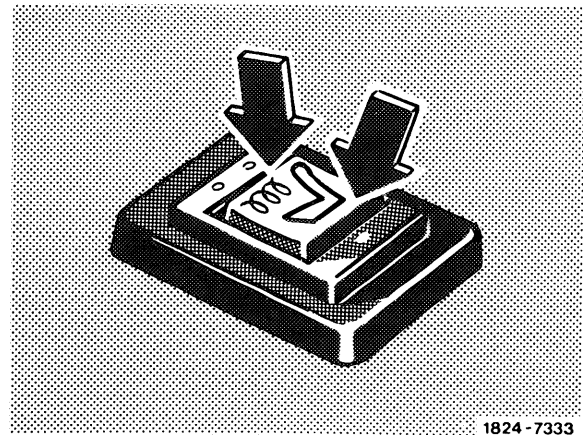


Testing power input

- 1 Remove fuse of seat to be tested.
- 2 Connect ammeter to terminals of fuse capsule.
- 3 Switch on ignition.



- 4 Set pushbutton switch to stage ●. Power input per seat (seat pad and backrest) should amount to approx. 1.3 A at 12 V battery voltage after a cut-in period of at least 20 s.
- 5 Set pushbutton switch to stage ●●. The power input per seat should now amount to approx. 5 A at 12 V battery voltage after a cut-in period of min. 20 s.
- 6 If values are considerably deviating, test heating pads or connection of pushbutton switch, couplers having the same color must be plugged together.



Testing heating pad

- 7 Separate plug connections harness/heating pad, for this purpose set front seat completely back or remove rear seat cushion.
- 8 Test heating pad with ohmmeter for a break or short and renew, if required (82–996).