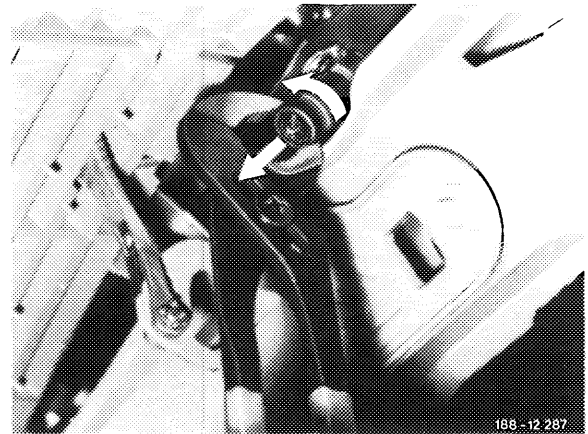


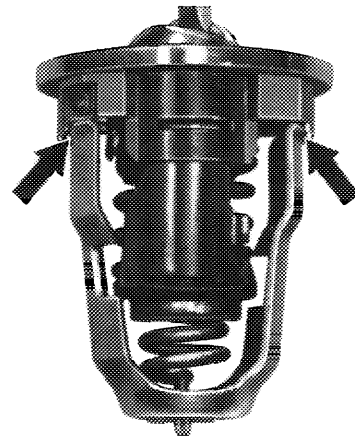
Removal

1 Pull spring clip energetically down with water pump pliers and turn to the left by 90°.



2 Make sure that the spring clip enters into the two grooves of the rosette.

3 Pull Mercedes star out of radiator shell in upward direction.



Installation

4 Insert Mercedes star into radiator shell and turn spring clip with water pump pliers by 90° in clockwise direction.