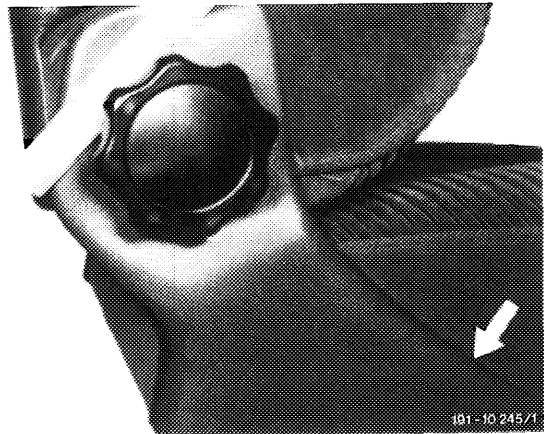


Removal

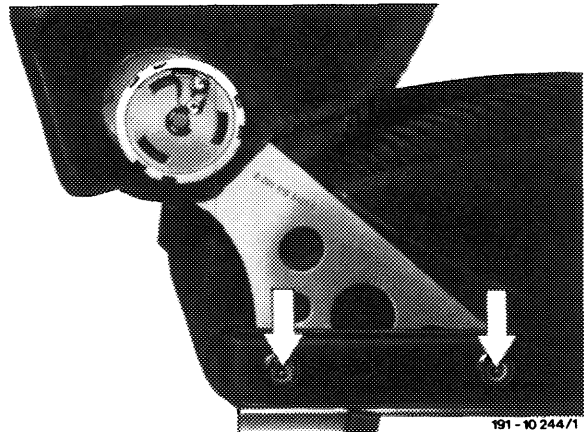
1 Remove front seat (91–100 or 91–110).

2 Remove hand wheel by means of a wedge.

3 Lift covering on reclining seat fitting front (arrow) and push from fitting.

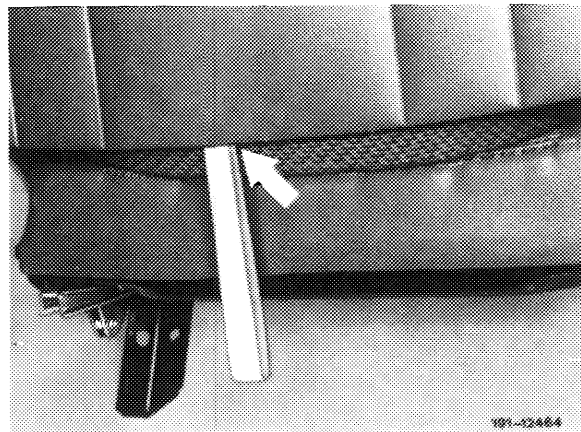


4 Remove screws on both sides of front seat cushion frame.

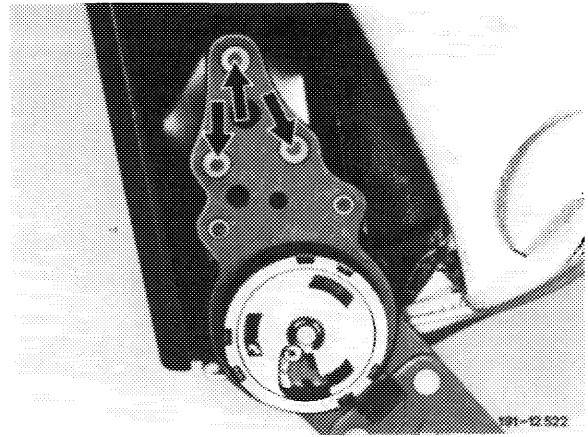


5 Remove covering at back of front seat backrest.

6 Remove covering at front seat backrest left and right starting from the top.



7 Pull out the three rivets on seat fitting.



Installation

8 Drill out existing rivet holes on front seat backrest and on new seat fitting with 8.2 mm dia. drill.

Note: The rivet heads welded inside to front seat backrest need not be removed.

9 Install connecting shaft between lefthand and righthand seat fitting.

10 Attach front seat backrest to seat fitting with screws M8x20 and nuts.

Note: Use screw locking compound Omnifit 80 L, part no. 002 989 09 71.

11 For further installation proceed vice versa.

