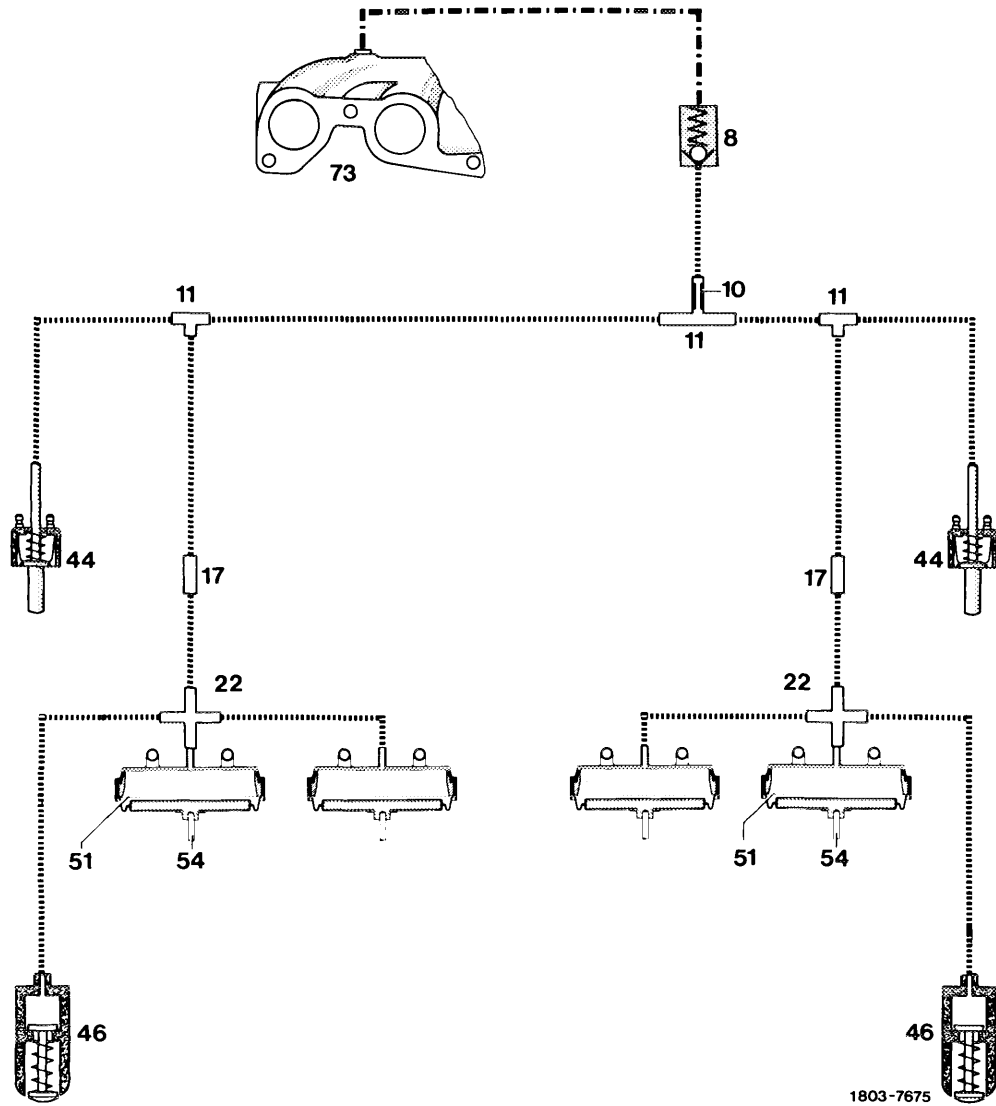


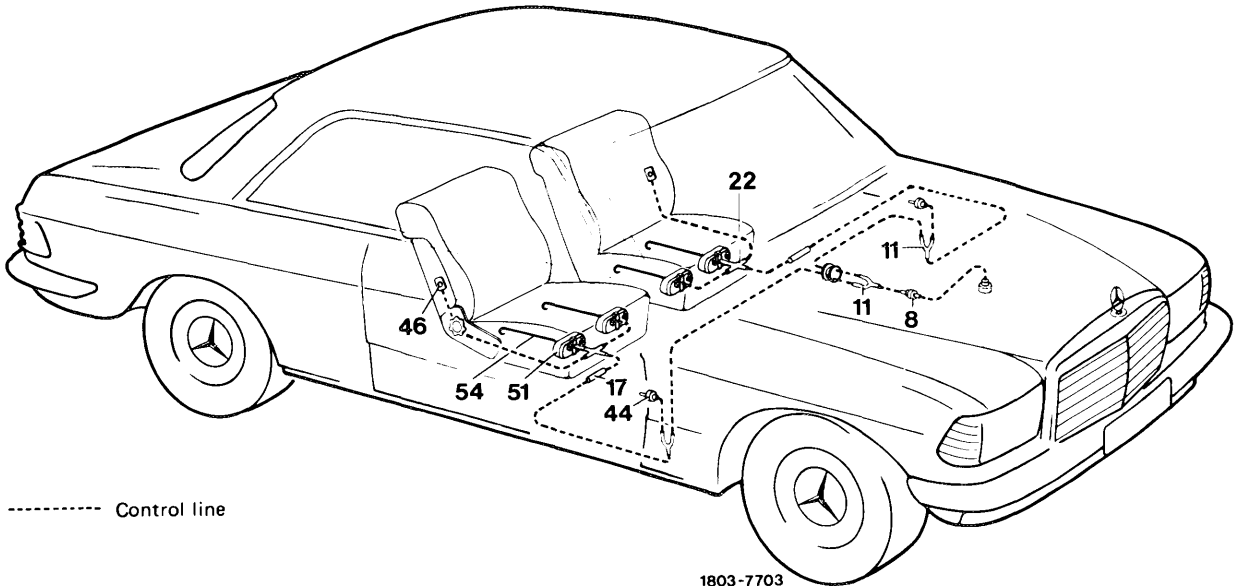
91-162 Function schematic seat back locking system (coupe)



1803-7675

----- Suction line  
 ..... Control line

- |                       |                                       |
|-----------------------|---------------------------------------|
| 8 Check valve         | 44 Door contact vacuum switch         |
| 10 Restrictor         | 46 Vacuum switch (driver's seat back) |
| 11 Distribution piece | 51 Vacuum element (seat)              |
| 17 Connection piece   | 54 Operating rod                      |
| 22 Distribution piece | 73 Intake manifold                    |



----- Control line

1803-7703