

Data

Version Thermostatic valve with outer pressure compensation

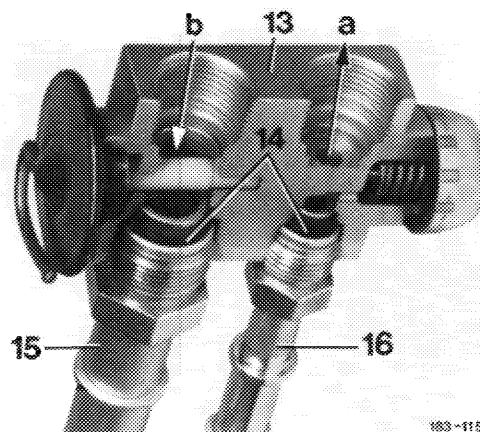
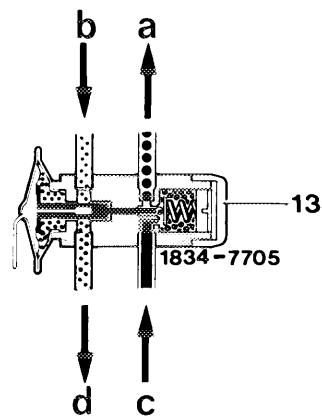
Tightening torques	Nm	(kpm)
Pressure hose to expansion valve 5/8"	15-18	(1.5-1.8)
Suction hose to expansion valve 7/8"	29-37	(2.9-3.7)
Evaporator pipe lines 3/4"	24-28	(2.4-2.8)
Evaporator pipe line 7/8"	29-37	(2.9-3.7)

Note

If heavy contamination is shown up in expansion valve, replace receiver dehydrator and expansion valve (83-530).

Injection valve (diagram)

- a To evaporator
- b From evaporator
- c From receiver dehydrator
- d To compressor
- 13 Injection valve
- 14 O-ring
- 15 O-ring fitting for hose line from injection valve to refrigerant compressor
- 16 O-ring fitting for hose line from receiver dehydrator to injection valve



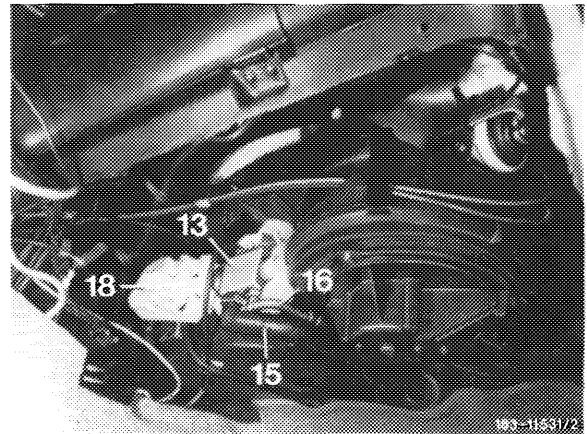
Injection valve (section)

183-11532/1

Removal

- 1 Drain air-conditioning system (83–516).
- 2 Remove cover at right under instrument panel (68–150).

- 3 Open insulating housing (18) by half.
- 4 Unscrew hose and pipe lines on injection valve (13).
- 5 Remove injection valve and close connections with plug.



Installation

- 6 Moisten threads with cold-flowing oil and check O-rings (14).
- 7 Screw injection valve (13) to evaporator pipes.
- 8 Connect refrigerant line (15 and 16) to injection valve.
- 9 Evacuate air-conditioning system, refill and check for function and leaks (83–510, 512 and 514).
- 10 Attach housing (18) carefully to injection valve.
- 11 Install cover under instrument panel.

