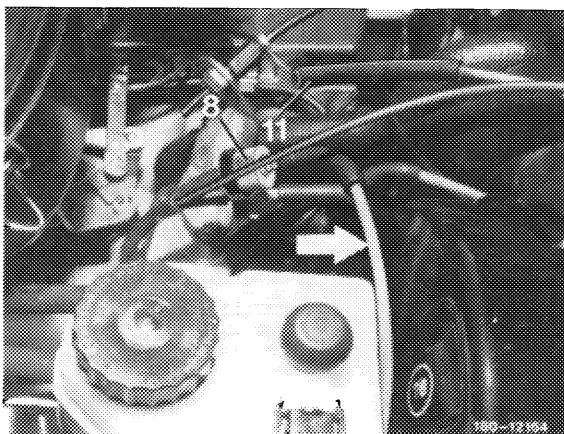


Note

These tests are omitted for diesel models.

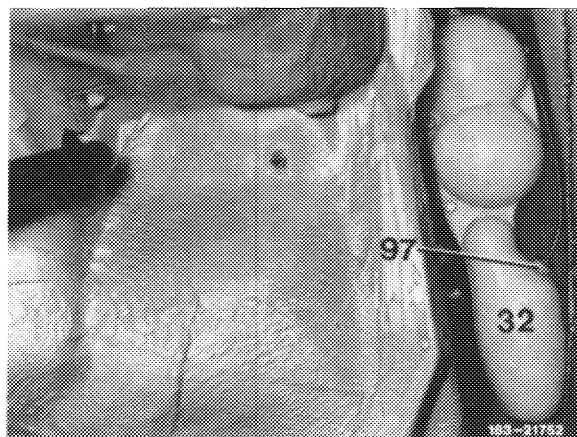
a) Testing check valve

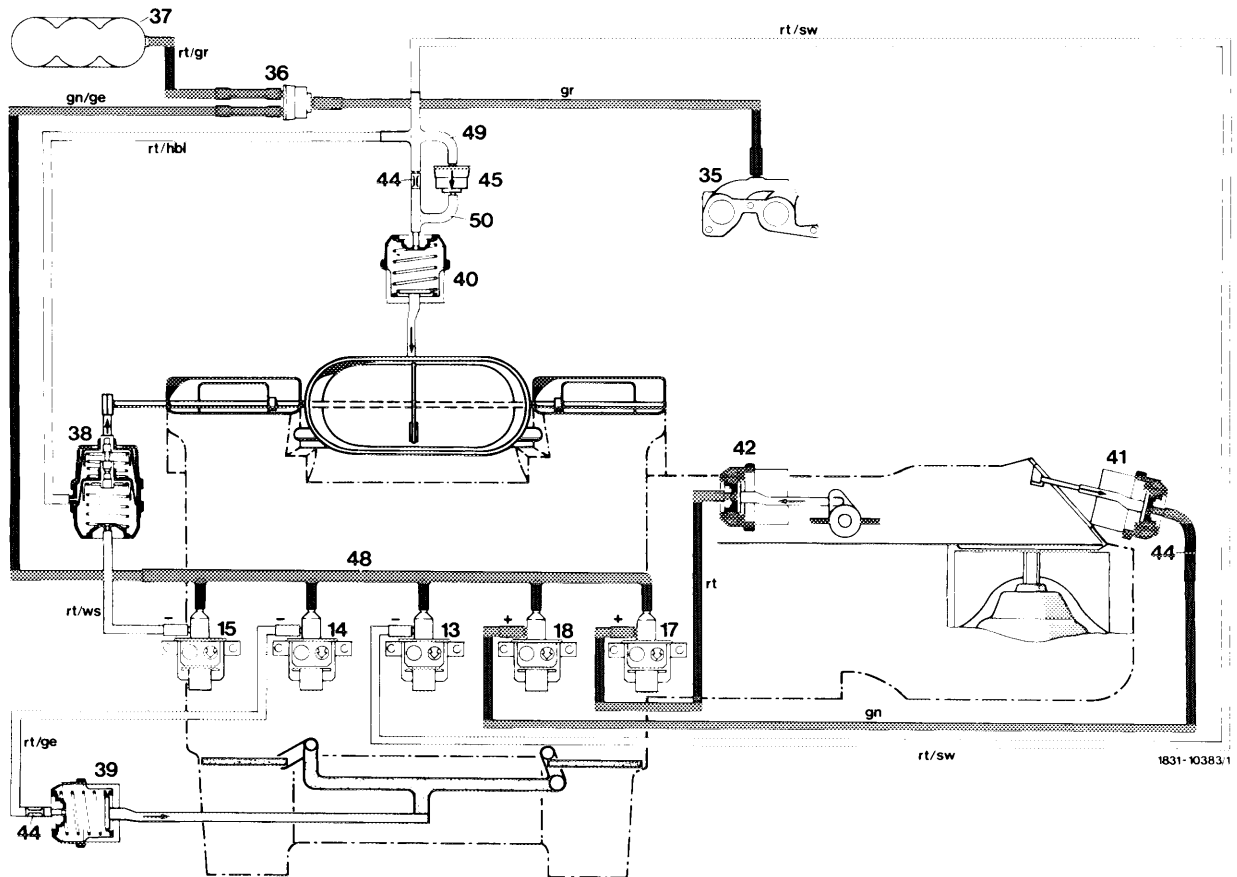
- 1 Pull vacuum line color code green-yellow from check valve (8) and close this connection with a blind plug.
- 2 Pull vacuum line color red-grey from check valve (8) and connect vacuum line from tester (refer to arrow) to check valve, evacuate and read pressure gage readout.
- 3 If gage shows a pressure increase, replace check valve (8).



b) Testing vacuum reservoir

- 4 Pull vacuum line color code red/grey from connection.
- 5 Connect vacuum line from tester to red/grey line and evacuate.
- 6 If readout on pressure gage changes, replace gasket of vacuum reservoir (97) and also replace vacuum reservoir (32), if required.





Vacuum function diagram automatic climate control

Function selection "a" (defrosting)

- 13 Switchover valve for center nozzle flap
- 14 Switchover valve for legroom flaps
- 15 Switchover valve for defroster nozzle flaps
- 17 Switchover valve for main air flap
- 18 Switchover valve for fresh air-recirculating air flap
- 35 Vacuum connection on intake manifold
- 36 Check valve
- 37 Vacuum reservoir
- 38 2-stage vacuum element for defroster nozzle flaps (flaps "open")
- 39 Vacuum element for legroom flaps (flaps "closed")
- 40 Vacuum element for center nozzle flap (flap "closed")
- 41 Vacuum element for fresh air-recirculating air flap (position "fresh air")
- 42 Vacuum element for main air flap (flap "open")
- 44 Throttle (orifice)
- 45 Check valve (arrow = flow direction)
- 48 6-point distributor
- 49 4-point distributor
- 50 3-point distributor

Color code of

- vacuum lines
- ge = yellow
- gn = green
- gr = gray
- rt = red
- ws = white
- hbl = light blue
- sw = black