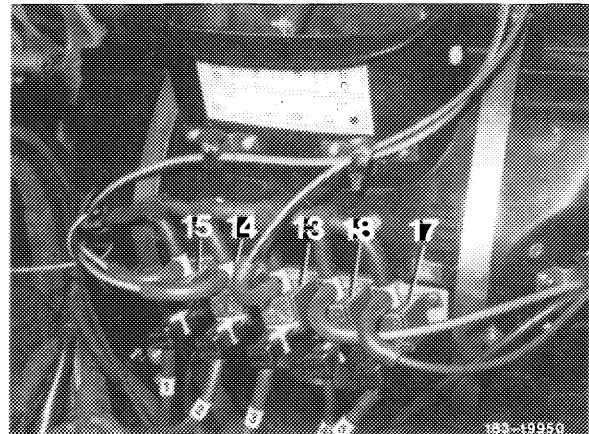
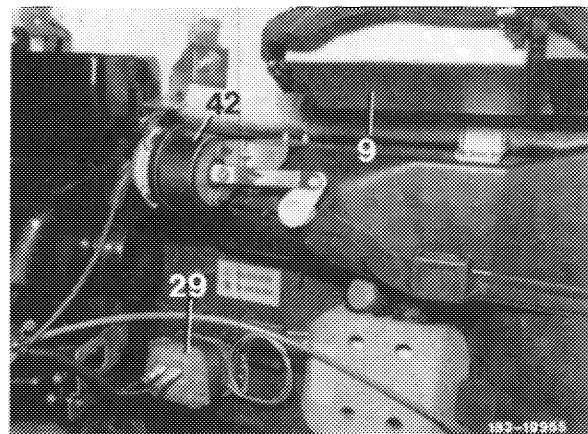


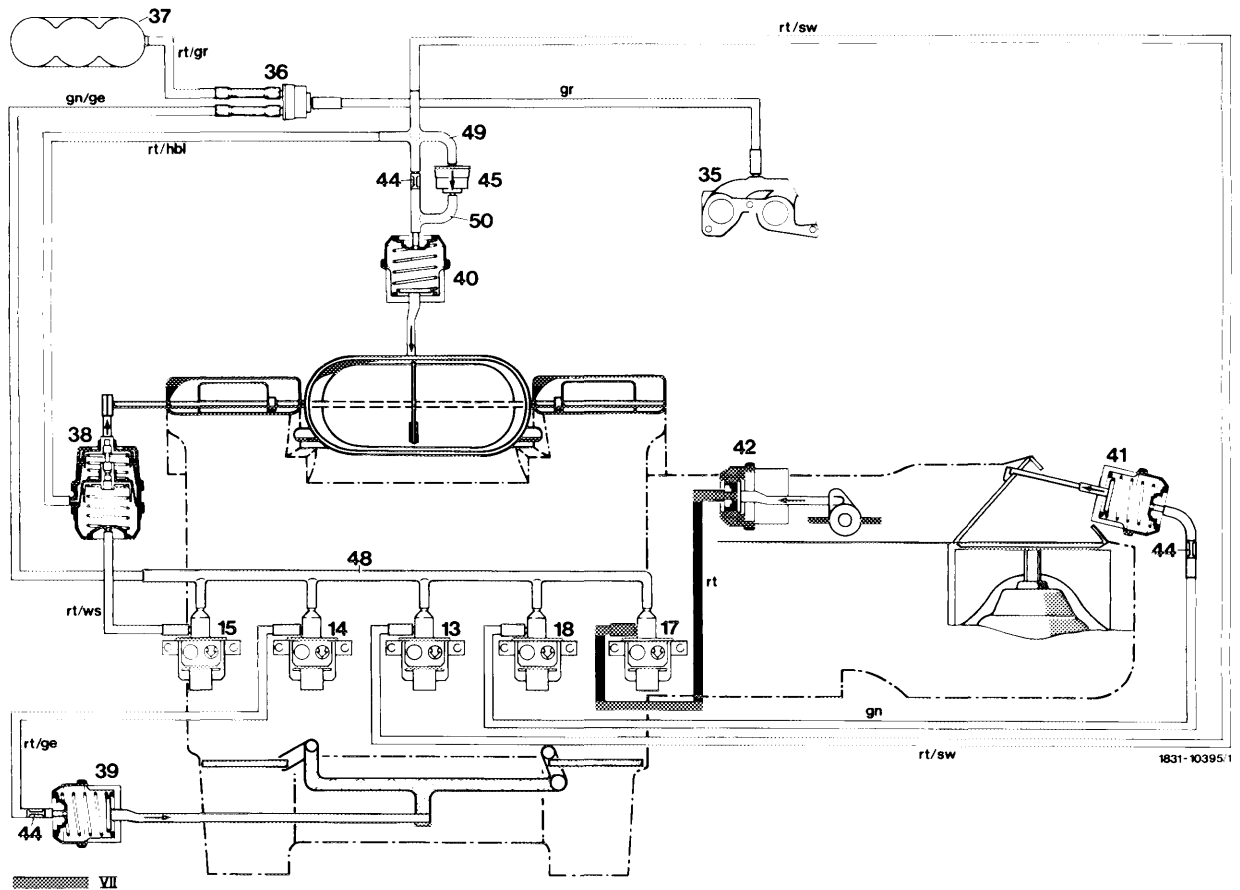
83–624 Testing vacuum circuit VII

- 1 Remove glove box (68–140).
- 2 Remove optional switch.
- 3 Remove cover for optional switch.
- 4 Pull red vacuum line from switchover valve (17) and connect tester.
- 5 Evacuate vacuum circuit VII while paying attention to function of main air flap. In the event of a pressure increase on pressure gage, replace vacuum element (42) (83–665).



- 6 Install cover for optional switch.
- 7 Install optional switch.
- 8 Install glove box.





- 13 Switchover valve for center nozzle flap
- 14 Switchover valve for legroom flaps
- 15 Switchover valve for defroster nozzle flaps
- 17 Switchover valve for main air flap
- 18 Switchover valve for fresh air-recirculating air flap
- 35 Vacuum connection on intake manifold
- 36 Check valve
- 37 Vacuum reservoir
- 38 2-stage vacuum element for defroster nozzle flaps (flaps "open")
- 39 Vacuum element for legroom flaps (flaps "closed")
- 40 Vacuum element for center nozzle flap (flap "closed")
- 41 Vacuum element for fresh air-recirculating air flap (position "recirculating air")
- 42 Vacuum element for main air flap (flap "open")
- 44 Throttle (orifice)
- 45 Check valve (arrow = flow direction)
- 48 6-point distributor
- 49 4-point distributor
- 50 3-point distributor

Color code of
vacuum lines
ge = yellow
gn = green
gr = gray
rt = red
ws = white
hbl = light blue
sw = black