

83–631 Reconditioning of heating water pump

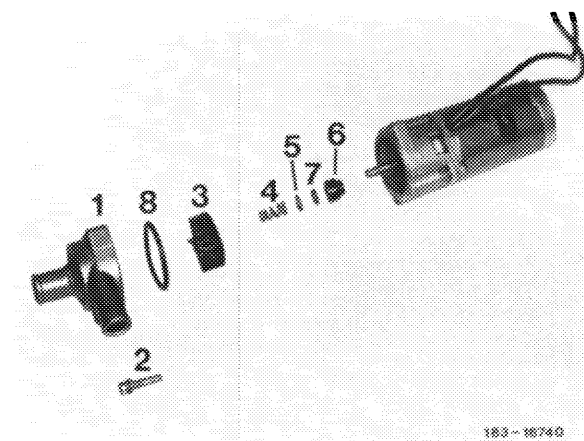
1 Remove heating water pump (83–630).

Note: A special repair kit (part no. 000 586 05 83) is available for reconditioning of heating water pump.

2 Unscrew screws (2) with a screwdriver and lift water pump housing (1) from drive motor.

3 Push off pump wheel (3) with a screwdriver.

4 Pull spring (4) from shaft and lift off washer (5) together with O-ring holder (6) and O-ring (7).



5 Mount new O-ring holder (6) on drive shaft with counterbore pointing in upward direction.

6 Mount installation sleeve for O-ring (7) included in repair kit on drive shaft and mount O-ring (7).

7 Mount washer (5) and spring (4). Make sure that the outer spring end is correctly seated in bore laterally in O-ring holder.

8 Push pump wheel (3) on drive shaft and mount new O-ring (8).

9 Place water pump housing (1) on drive motor and attach with screws (2).

10 Install heating water pump (83–630).

11 Check automatic climate control for function.