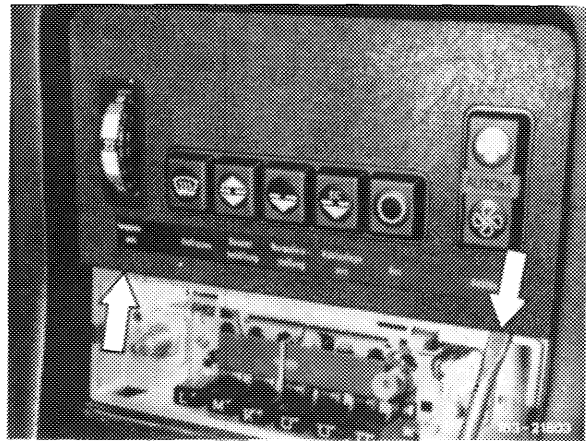
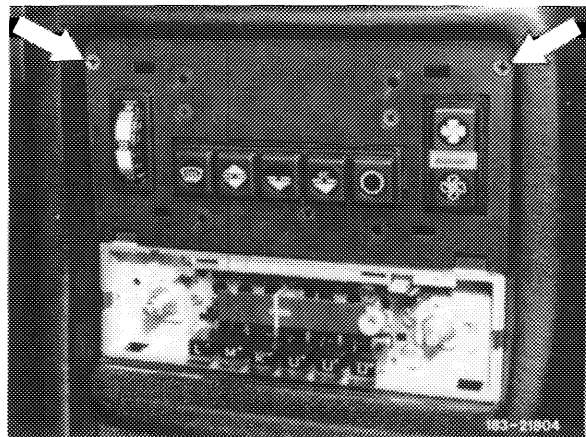


A. Removing control unit

- 1 Disconnect battery.
- 2 Pull control knobs from radio.
- 3 Remove radio molding.
- 4 Unclip molding for control unit (arrow and screwdriver).

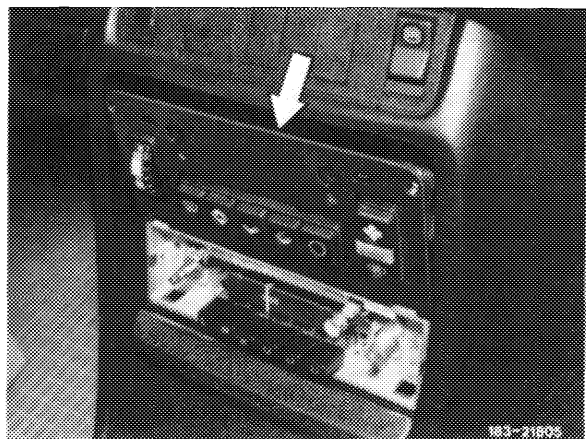


- 5 Unscrew both screws left and right top (arrow).

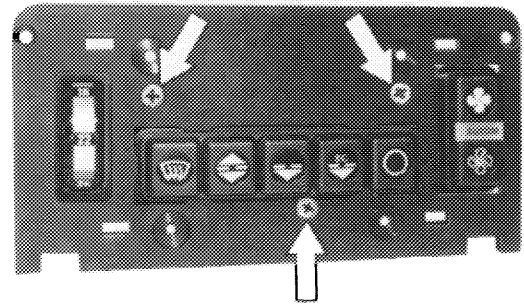


- 6 Slightly pull out holder for control unit at top (arrow) and then lift out in upward direction.

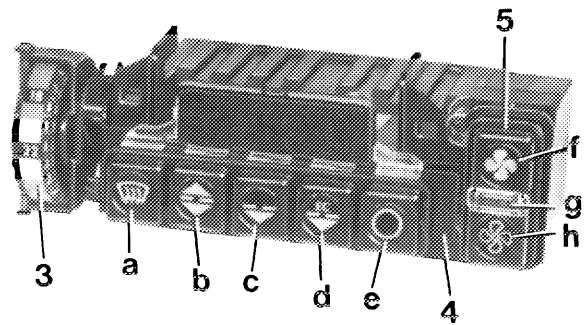
- 7 Pull off 12-point couplings left and right, as well as sockets for instrument lights.



8 Unscrew three screws (arrow) and remove control unit.



183-21806



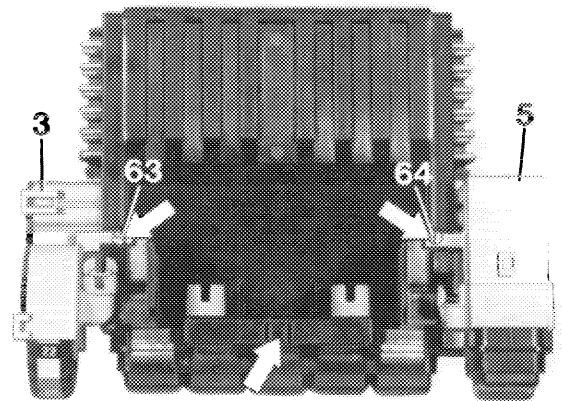
Control unit

183-17660/1

B. Removal and installation of temperature dial

Removal

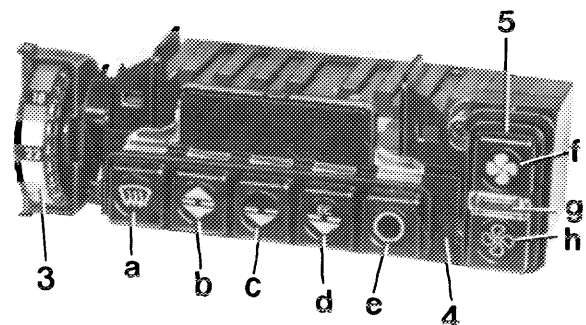
1 Force out clip (63) and the one underneath, pull temperature dial (3) from control unit.



183-19326

Installation

2 Plug temperature dial (3) to control unit and fit both clips.

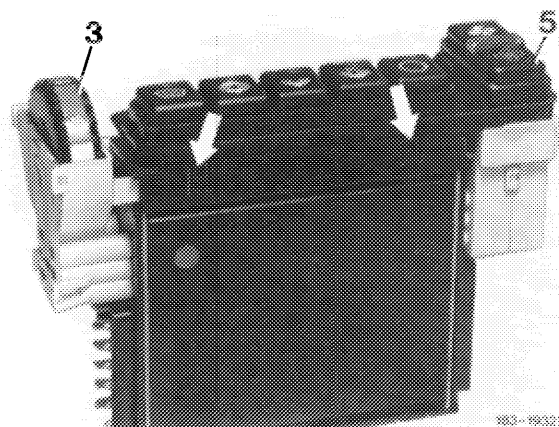


183-17660/1

C. Removal and installation of blower switch

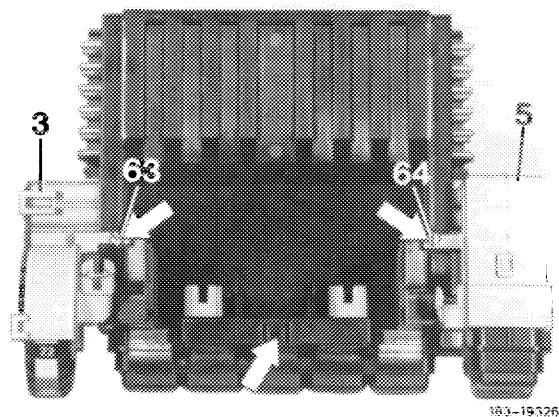
Removal

- 1 Remove plastic cover (refer to arrow) from control unit, starting at blower switch (5), so that pushbuttons are falling out individually. Push out clip (64).
- 2 Unclip blower switch (5) from control unit and pull off.



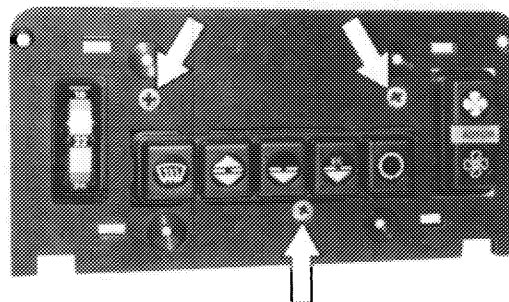
Installation

- 3 Press blower switch (5) with clip (64) against control unit, mount plastic cover. Put back push-buttons under slight pressure with a rotating motion (pay attention to sequence and position of symbols).

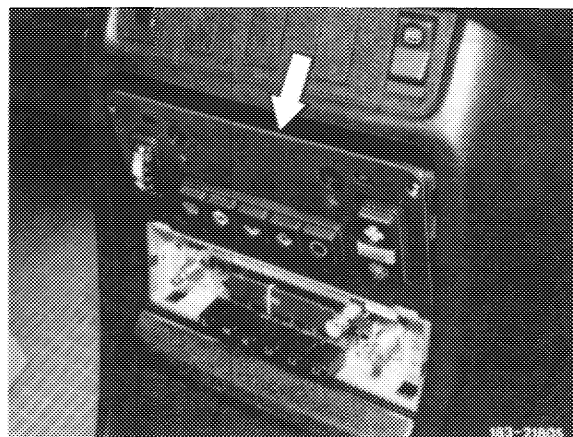


D. Installing control unit

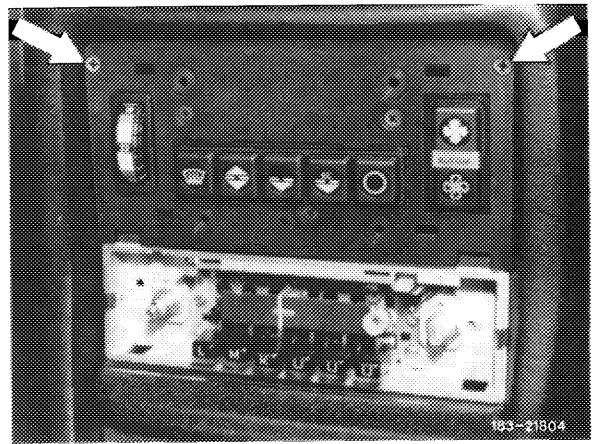
- 1 Place control unit into holder and tighten with three screws (arrow).
- 2 Plug on 12-pole couplings left and right, as well as lamp sockets for instrument lights.



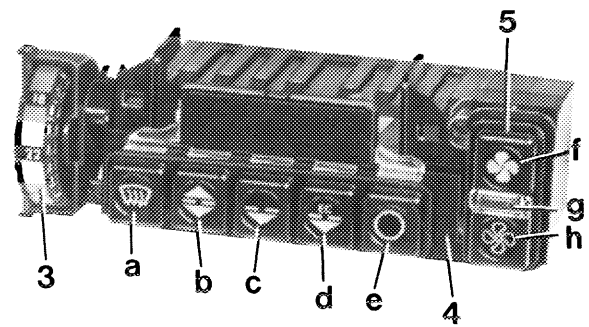
- 3 Insert holder for control unit from above into cutout and press on (arrow).



- 4 Fasten both screws left and right at top (arrow).
- 5 Clip-in molding for control unit.
- 6 Press-on radio molding.
- 7 Plug-on control knobs of radio.



- 8 Connect battery.
- 9 Check automatic climate control for function.



Control unit

183-17660/1