

INDEX

INDEX - Alphabetical Listing of Electrical Circuits

	SCHEMATIC	COMPONENT LOCATION
Air Conditioning	122	201
Automatic Antenna	127	202
Auxiliary Fan	122	201
Charging System	108	202
Cigar Lighter	127	202
Clock	119	206
Cruise Control	112	205
Fuse Information	102	
Gauges	118	206
Ground Distribution	129	
Heated Seats	128	203
Heater	122	201
Horns	125	203
Lights		
—Backup	115	201
—Center Console	117	201
—Courtesy	116	202
—Fog Lights	109	202
—Glove Box	115	201
—Hazard	114	205
—Headlights	109	202

	SCHEMATIC	COMPONENT LOCATION
Lights (continued)		
—Instrument Cluster	119	206
—License	111	203
—Marker	111	203
—Park	110	203
—Stop	112	205
—Tail	110	203
—Turn Signal	114	205
—Trunk	111	203
Power Distribution	104	204
Power Windows	126	204
Pre-Glow System	106	204
Radio	127	202
Rear Defogger	124	204
Sliding Roof	125	203
Start/Stop (Ignition Switch)	107	205
Transmission Kickdown	115	201
Warning Indicators	118	206
Warning System	120	206
Wiper/Washer	121	206

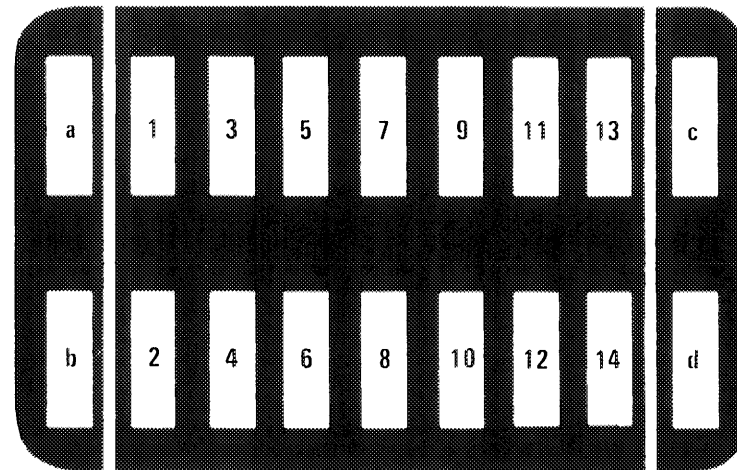
FUSE-CIRCUIT LIST

Fuse		Circuits Protected	Page
No.	Amps (Color)		
1	8(WT)	Center Console Illumination	117
		Instrument Cluster Illumination	119
		Lights: Marker/License	111
		Lights: Park/Tail (RH)	110
		Warning System	120
2	8(WT)	Automatic Antenna	127
		Clock	119
		Courtesy Lights	116
		Hazard Lights	114
		Trunk Light	111
		Warning System	120
3	8(WT)	Lights: Park/Tail (LH)	110
4	8(WT) 16(PK)*	Cigar Lighter	127
		Glove Box Light	115
		Radio	128
		*With Heated Seats (Front)	
5		Not Used	
6	16(PK)	Headlights	109
		Wiper/Washer	121
7	8(WT)	Headlights (RH High Beam)	109
8	16(PK)	Air Conditioning/Heater	124
			128
9	8(WT)	Headlights (LH High Beam)	109
10	16(PK) 25(BU)*	Rear Defogger	
		*With Heated Seats (Rear)	122
11	16(PK)	Headlights (RH Low Beam)/Fog Lights	109

Fuse		Circuits Protected	Page
No.	Amps (Color)		
12	8(WT)	Auxiliary Fan	122
		Lights: Turn Signal/Hazard	114
		Power Windows	126
		Stoplights/Cruise Control	112
		Warning Indicators/Gauges	118
13	8(WT)	Headlights (LH Low Beam)	109
14	8(WT)	Backup Lights/Transmission Kickdown	115
		Horns	125
		Warning System	120
a	16(PK)	Power Windows	126
b	16(PK)	Power Windows	126
c	16(PK)	Auxiliary Fan	122
d	16(PK)	Sliding Roof	125
	2(GLASS)	Radio (Part of Radio)	127
	80	Pre-Glow System (Part of Pre-Glow Relay)	106

102
240
D

FUSE BOX



FUSE BOX

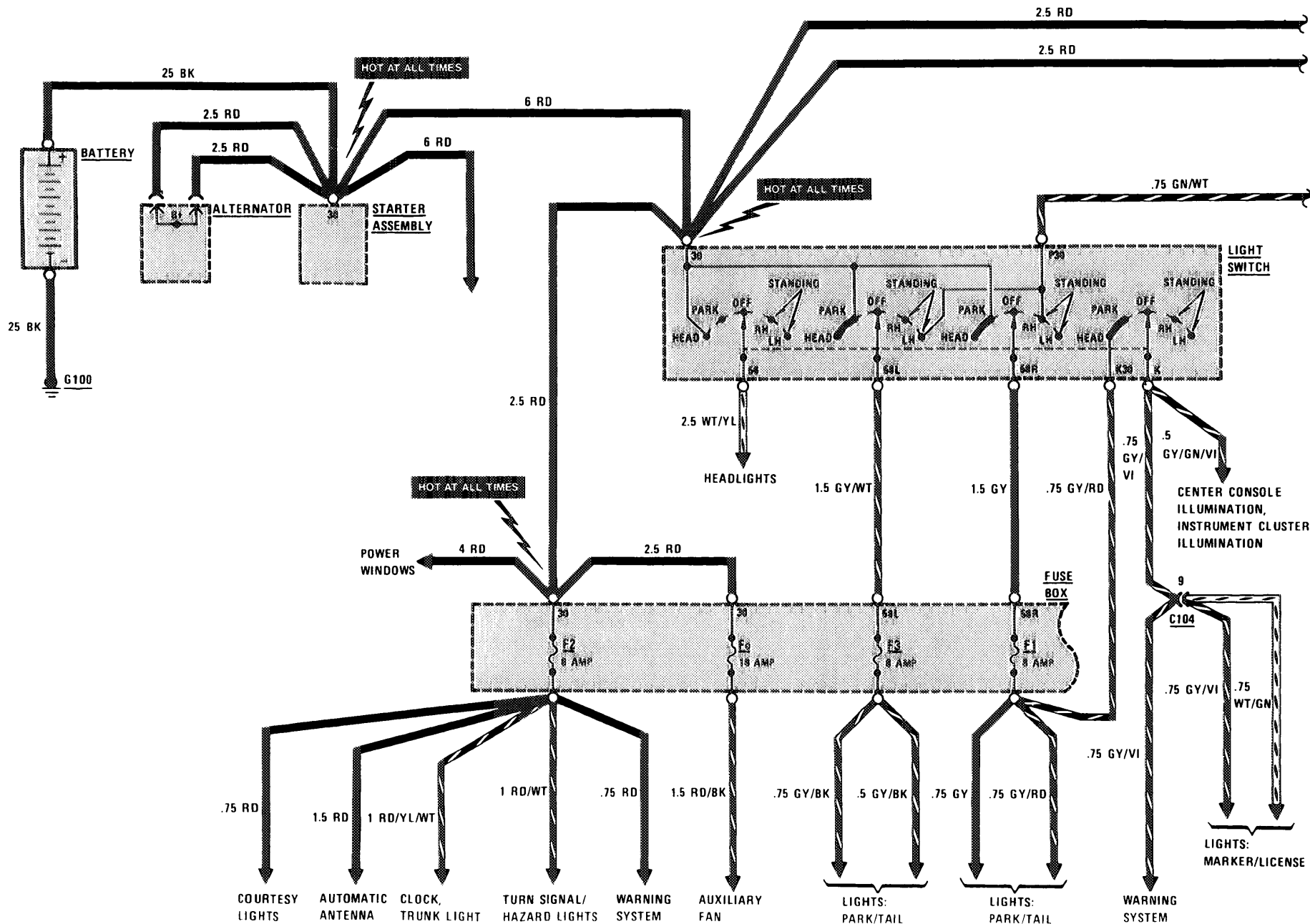
(AS MOUNTED NEAR BRAKE BOOSTER)

RELAY CODE	RELAY USE
10	Window Relay
12	A/C Relay
6	Auxiliary Fan Relay

POWER DISTRIBUTION

(For Component Locations See Page 204)

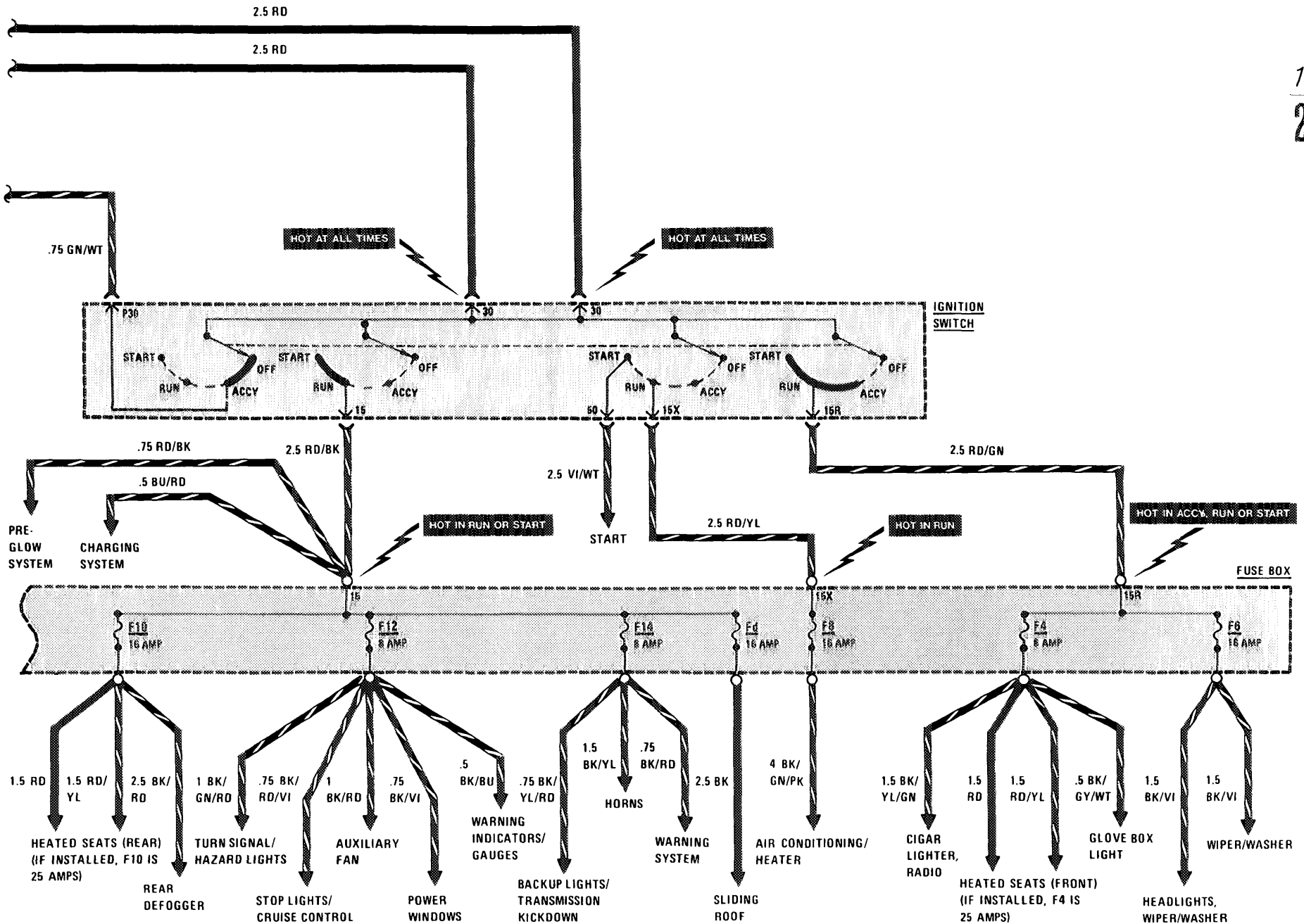
104
240
0



POWER DISTRIBUTION

(For Component Locations See Page 204)

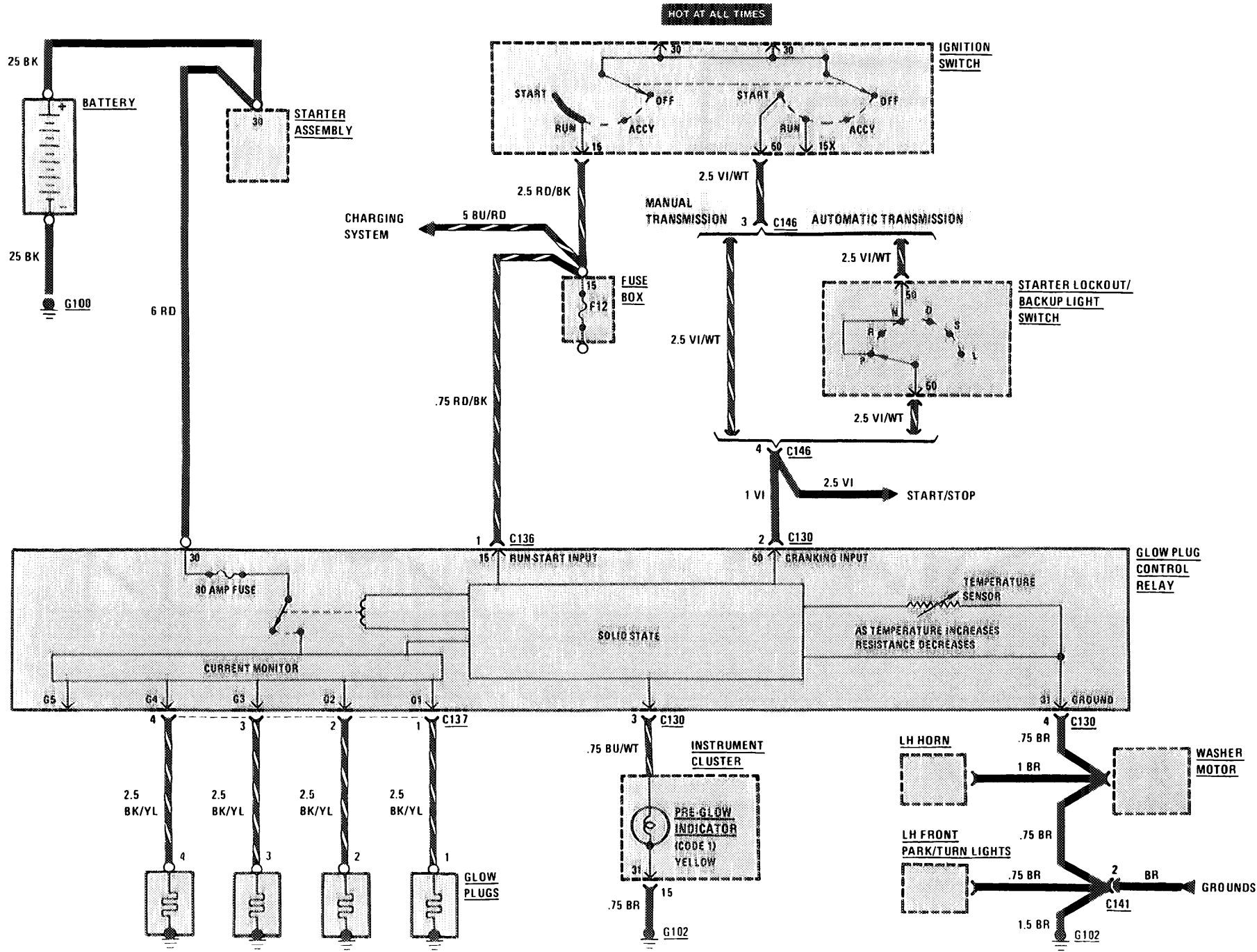
105
240
D



PRE-GLOW SYSTEM

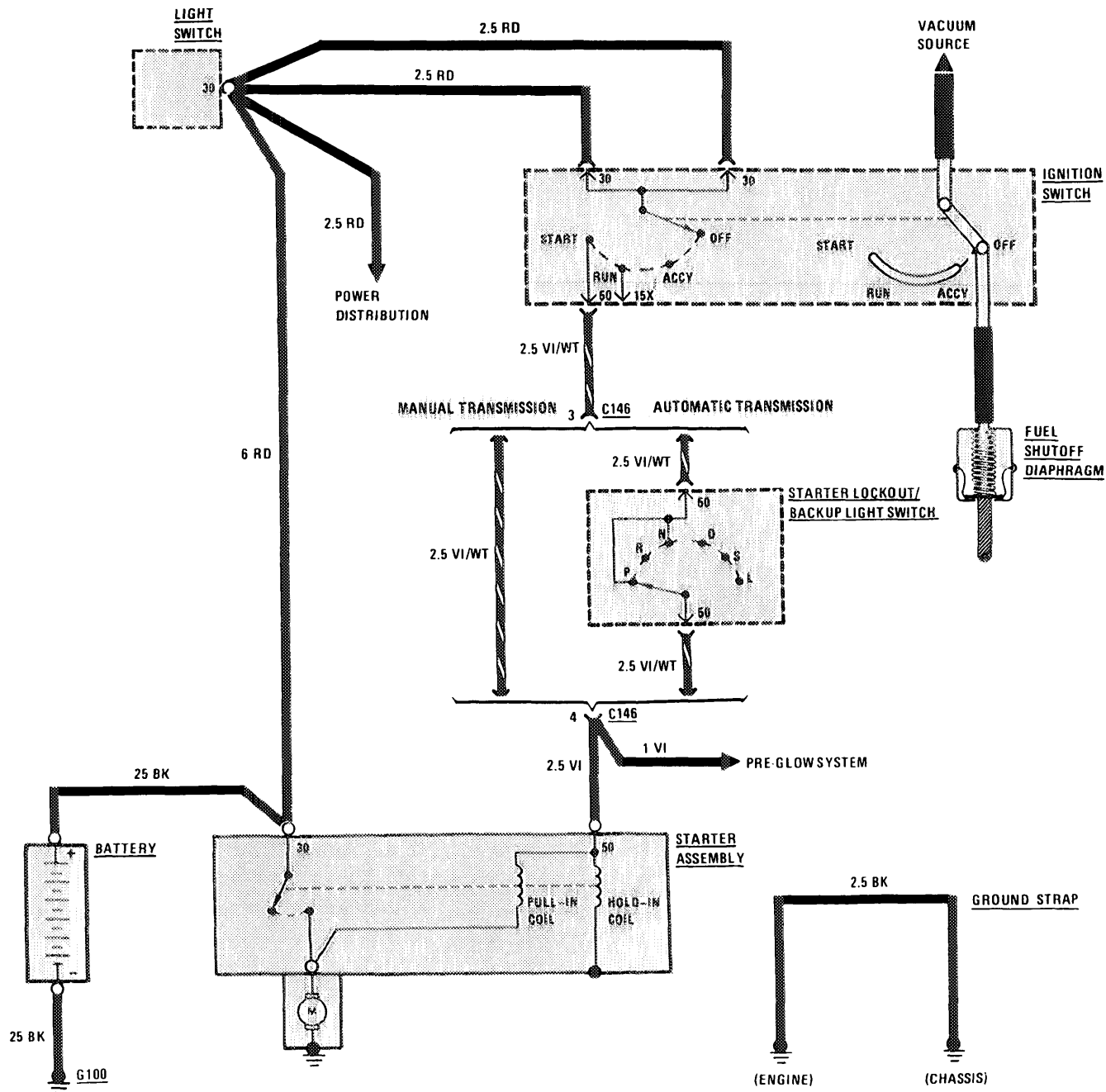
(For Component Locations See Page 204)

106
240
0



START/STOP (IGNITION SWITCH)

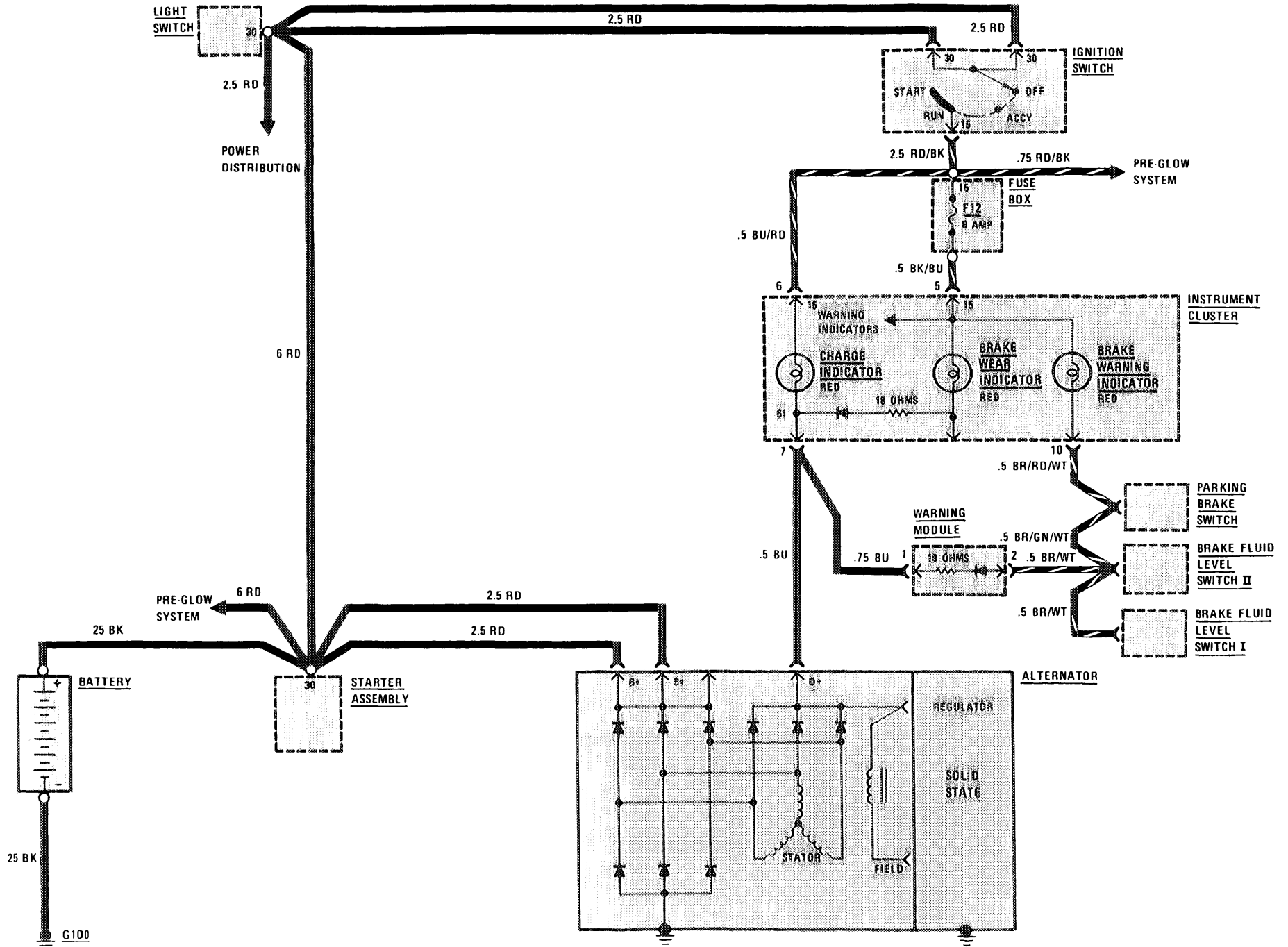
(For Component Locations See Page 205)



CHARGING SYSTEM

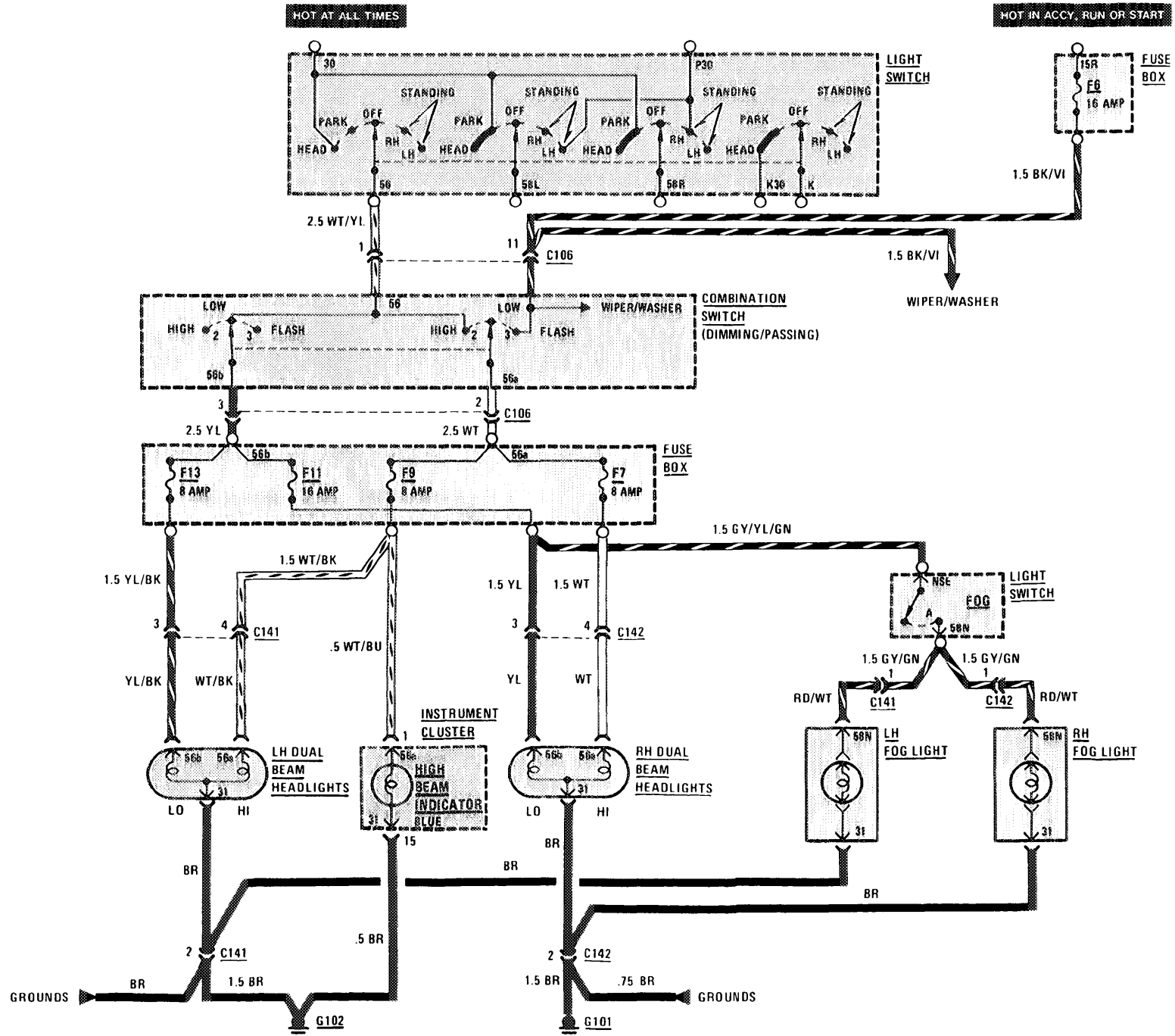
(For Component Locations See Page 202)

108
240
0



HEADLIGHTS/FOG LIGHTS

(For Component Locations See Page 202)

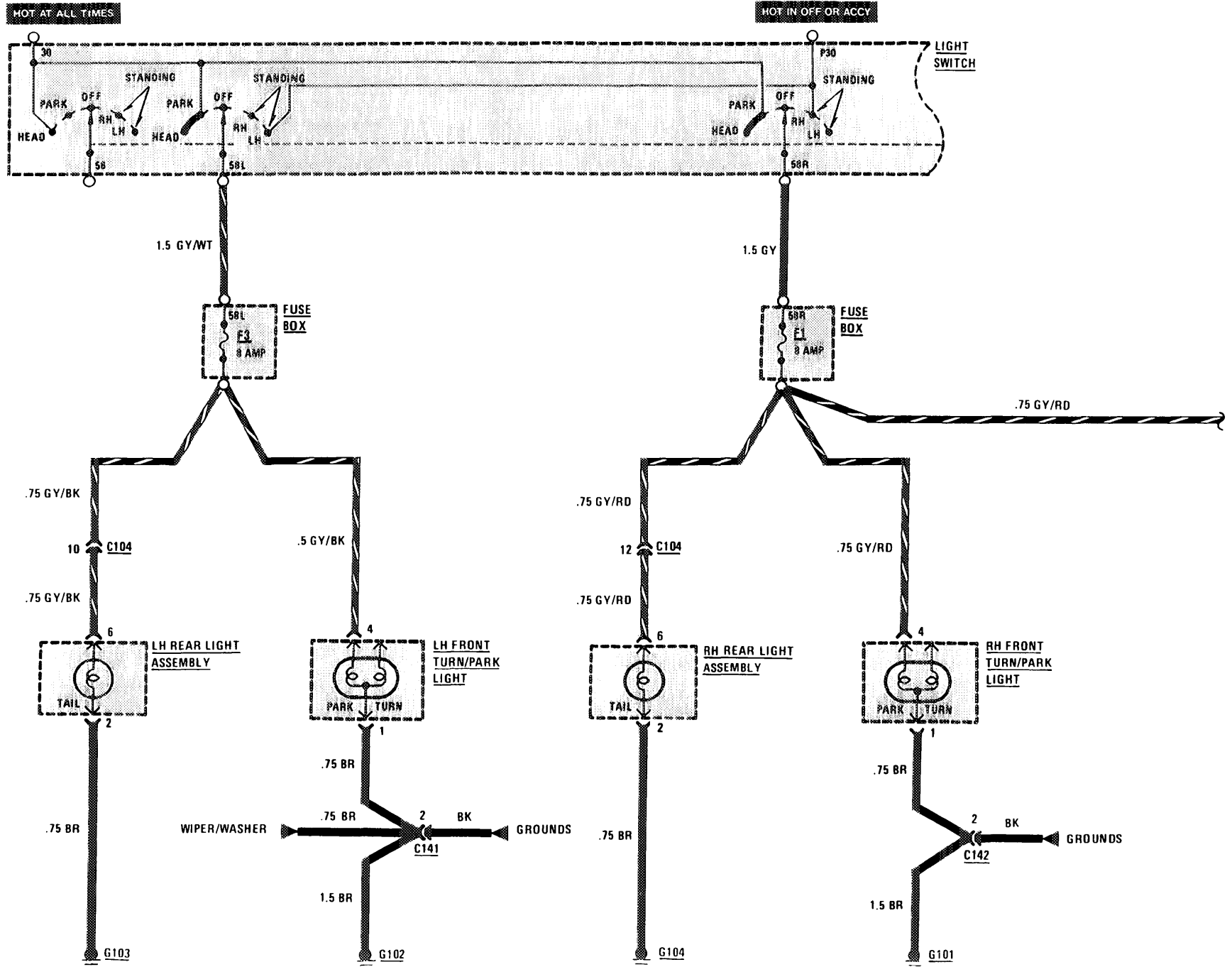


109
240
D

LIGHTS: PARK/TAIL

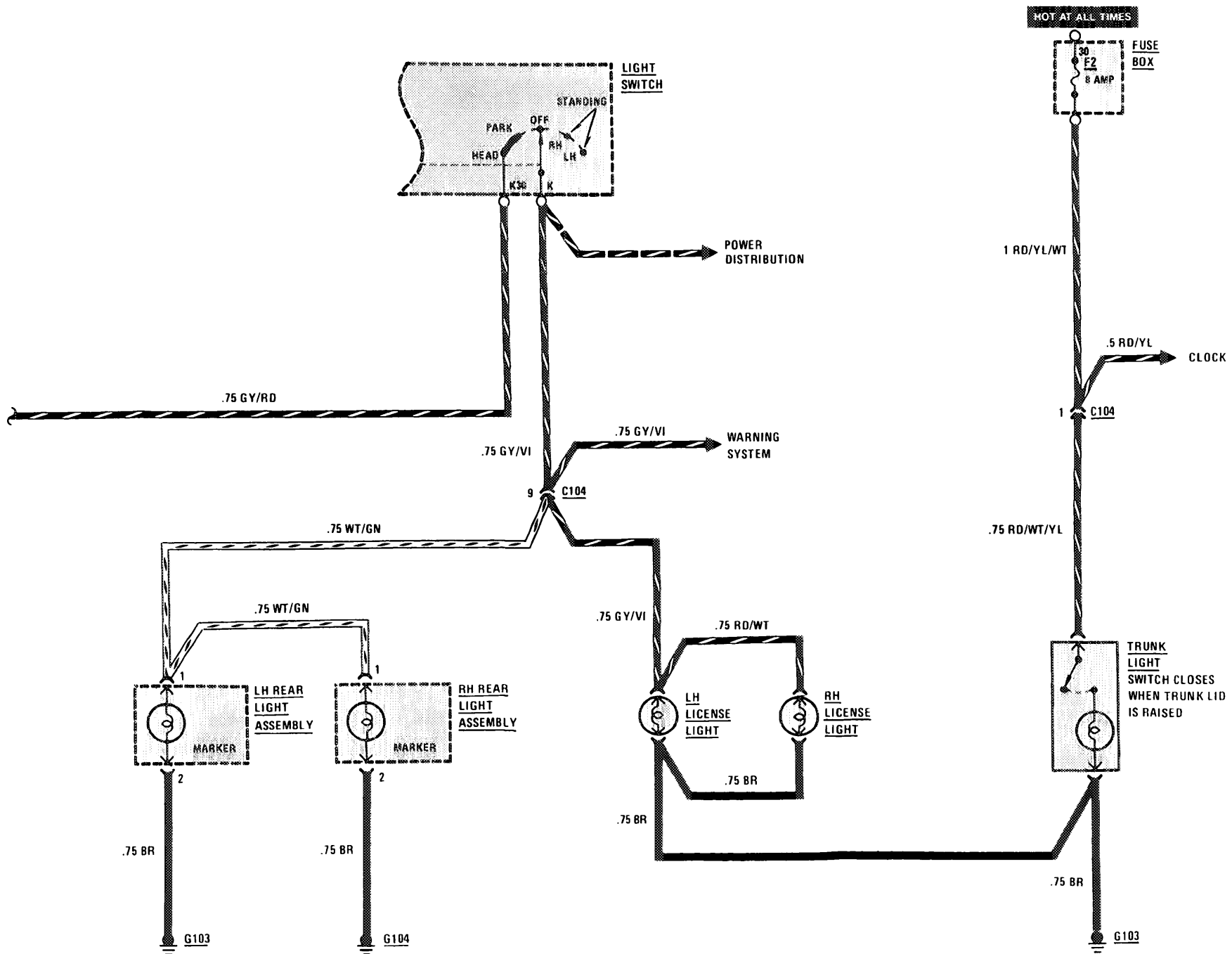
(For Component Locations See Page 203)

110
240
0



LIGHTS: MARKER/LICENSE/TRUNK

(For Component Locations See Page 203)



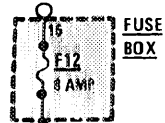
111
240
D

STOPLIGHTS/CRUISE CONTROL

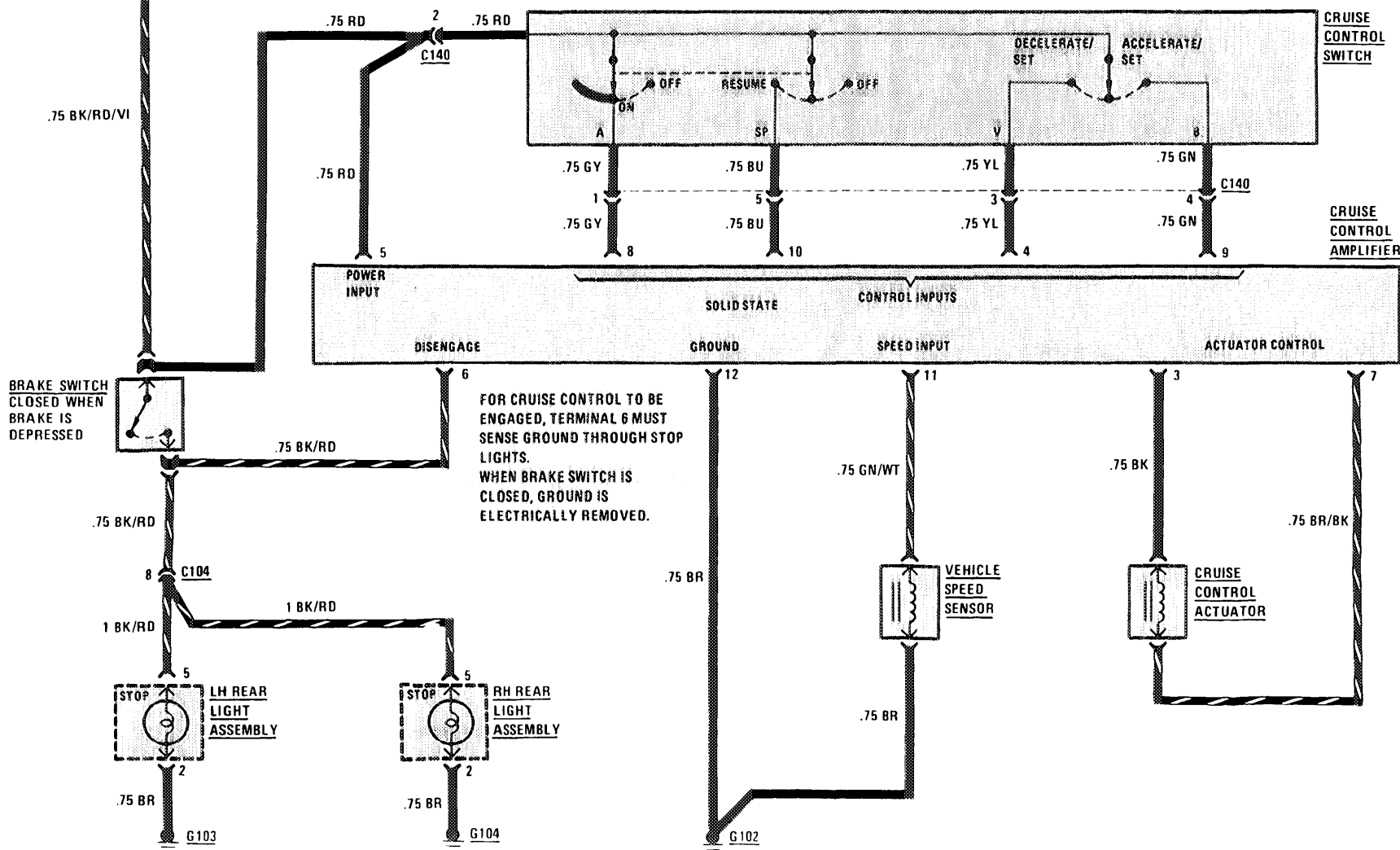
(For Component Locations See Page 205)

112
240
0

HOT IN RUN OR START



AUTOMATIC TRANSMISSION

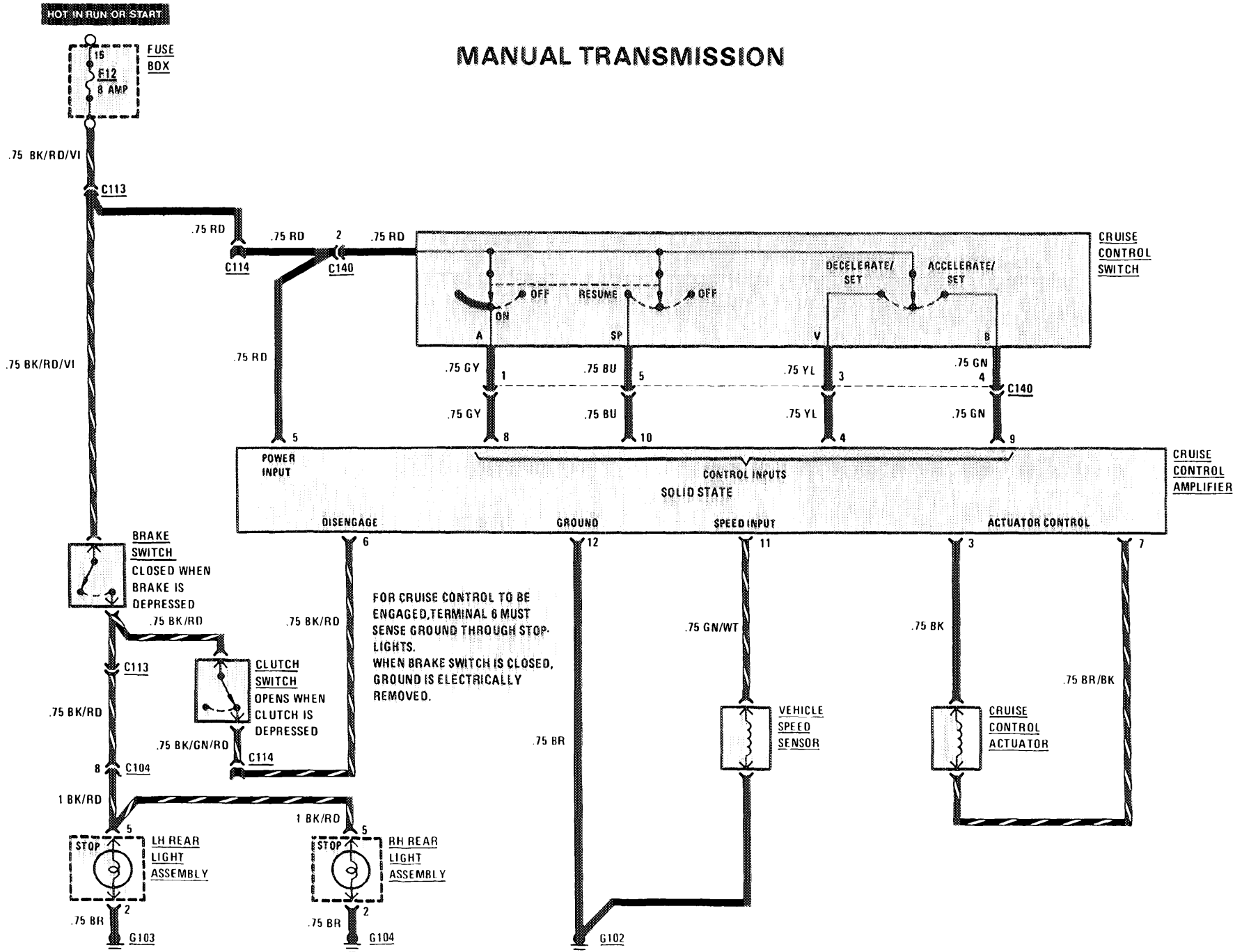


FOR CRUISE CONTROL TO BE ENGAGED, TERMINAL 6 MUST SENSE GROUND THROUGH STOP LIGHTS. WHEN BRAKE SWITCH IS CLOSED, GROUND IS ELECTRICALLY REMOVED.

STOPLIGHTS/CRUISE CONTROL (MANUAL TRANSMISSION)

(For Component Locations See Page 205)

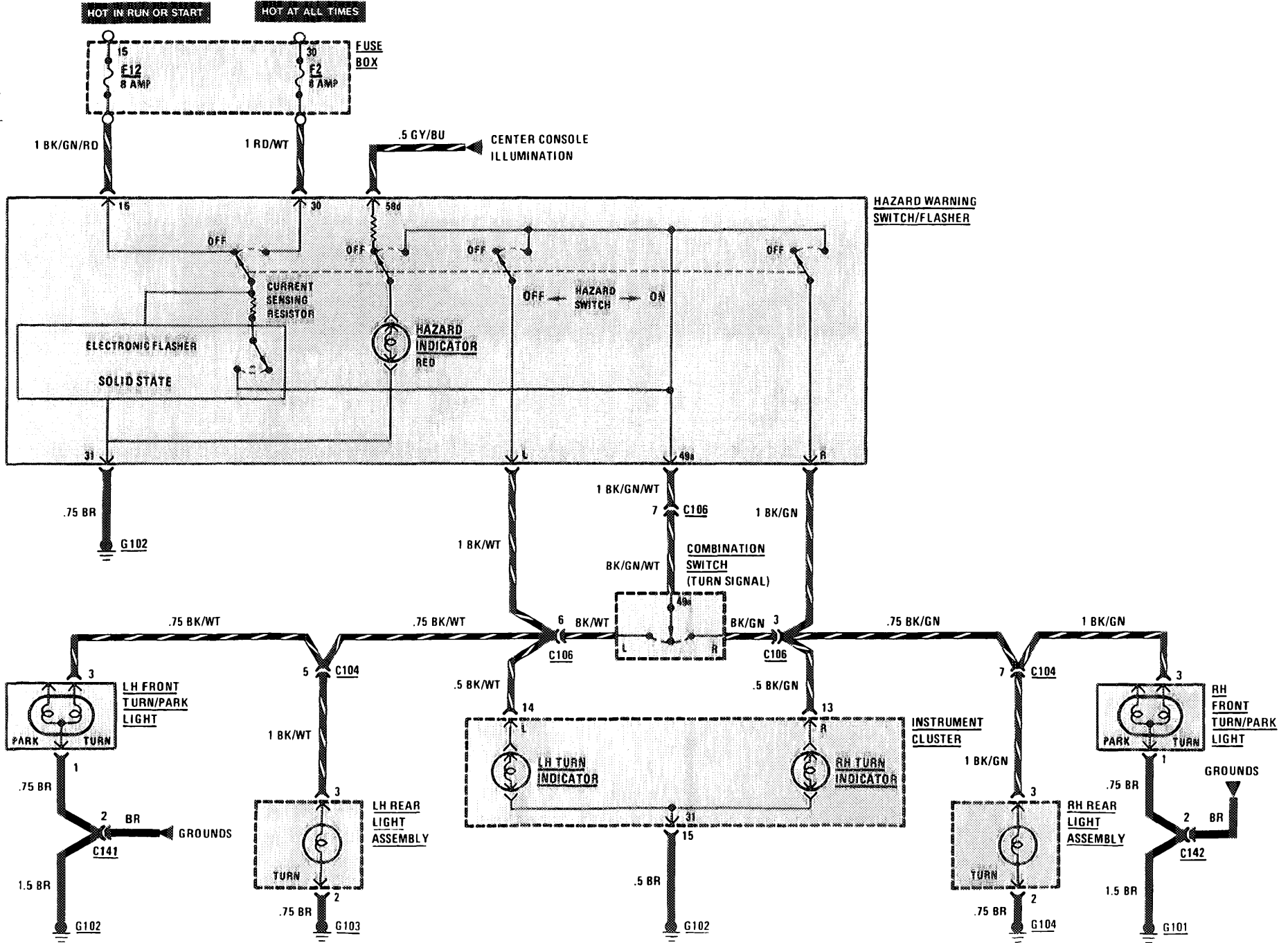
MANUAL TRANSMISSION



TURN SIGNAL/HAZARD LIGHTS

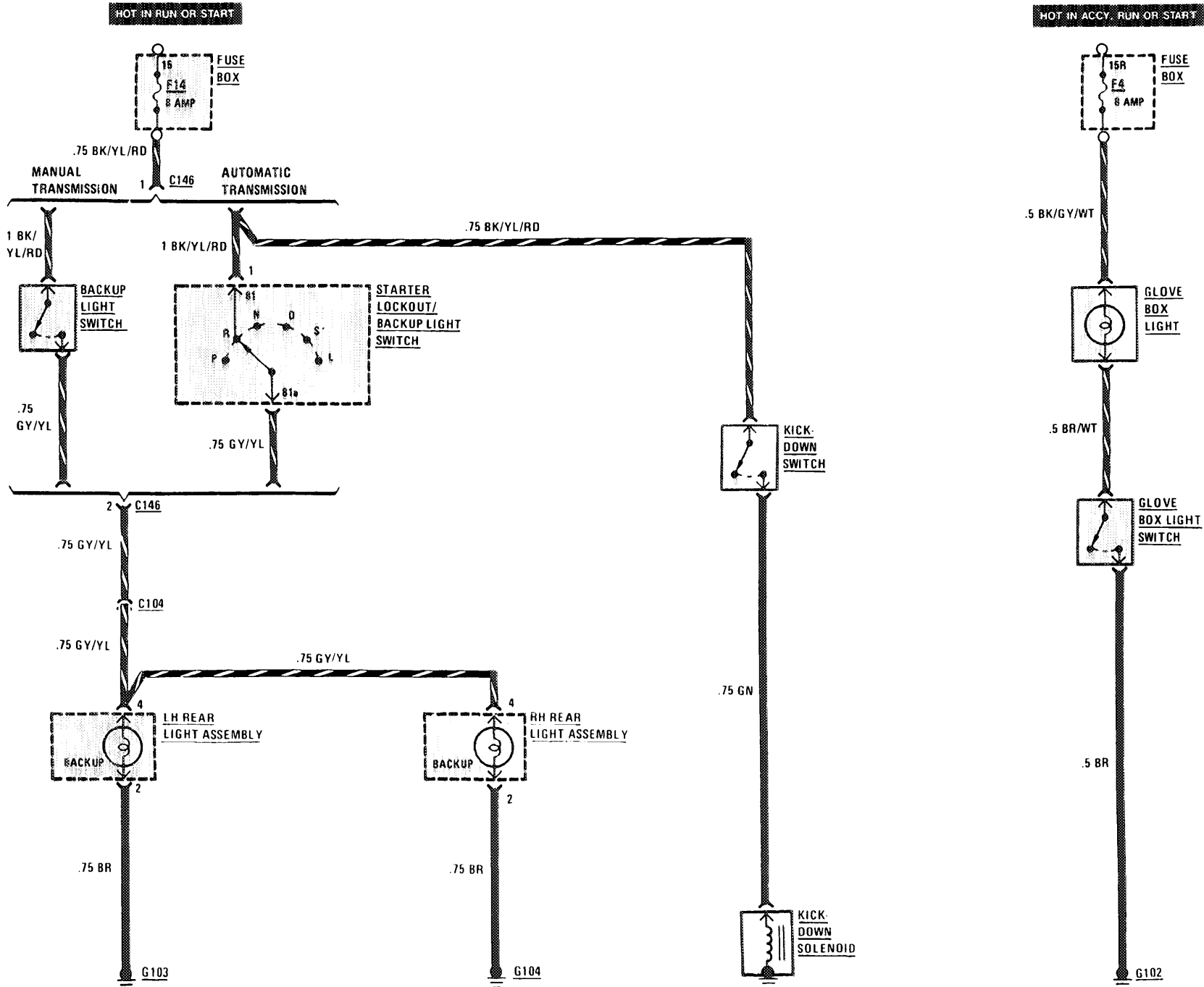
(For Component Locations See Page 205)

114
240
0



BACKUP LIGHTS / TRANSMISSION KICKDOWN / GLOVE BOX LIGHT

(For Component Locations See Page 201)

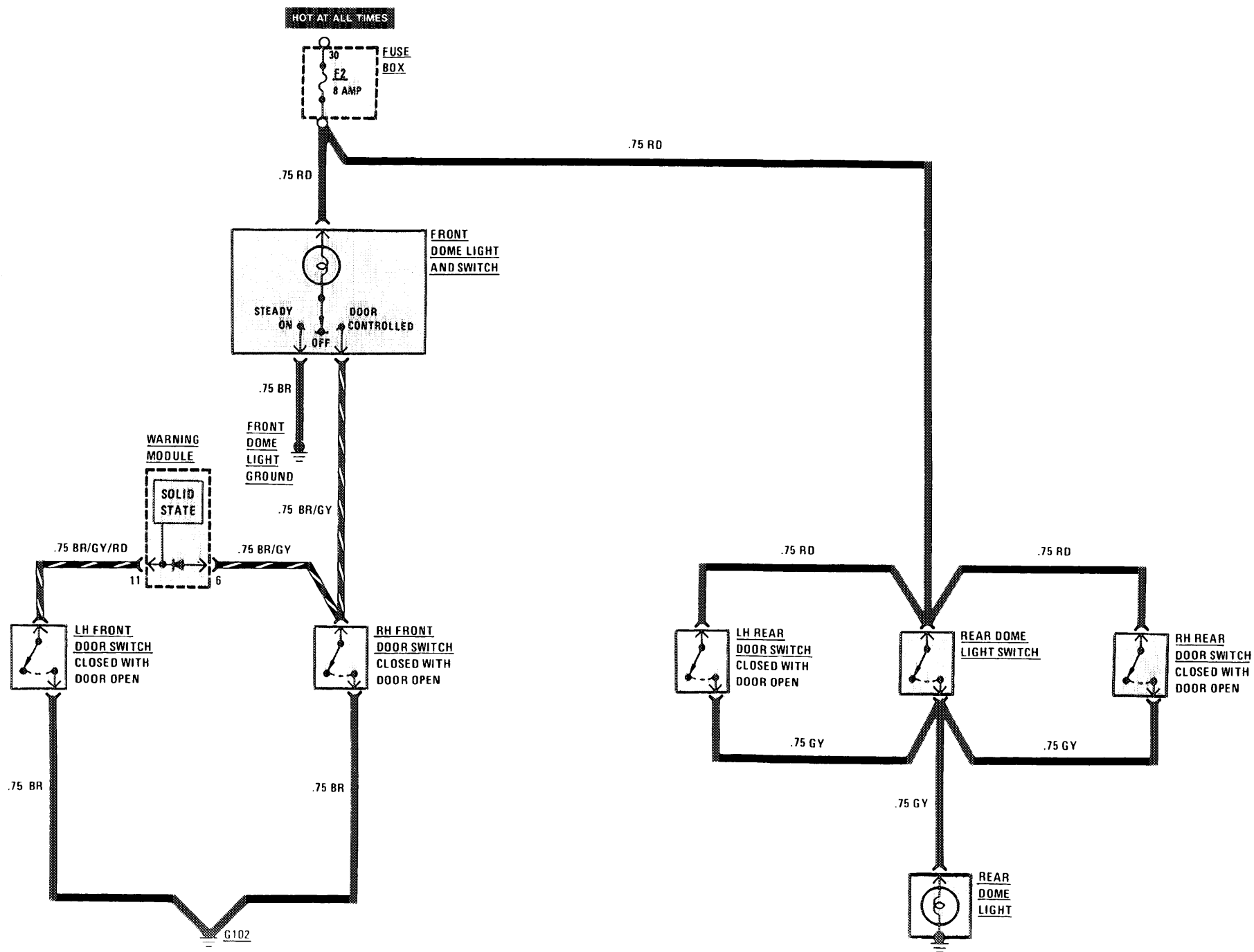


115
240
D

COURTESY LIGHTS

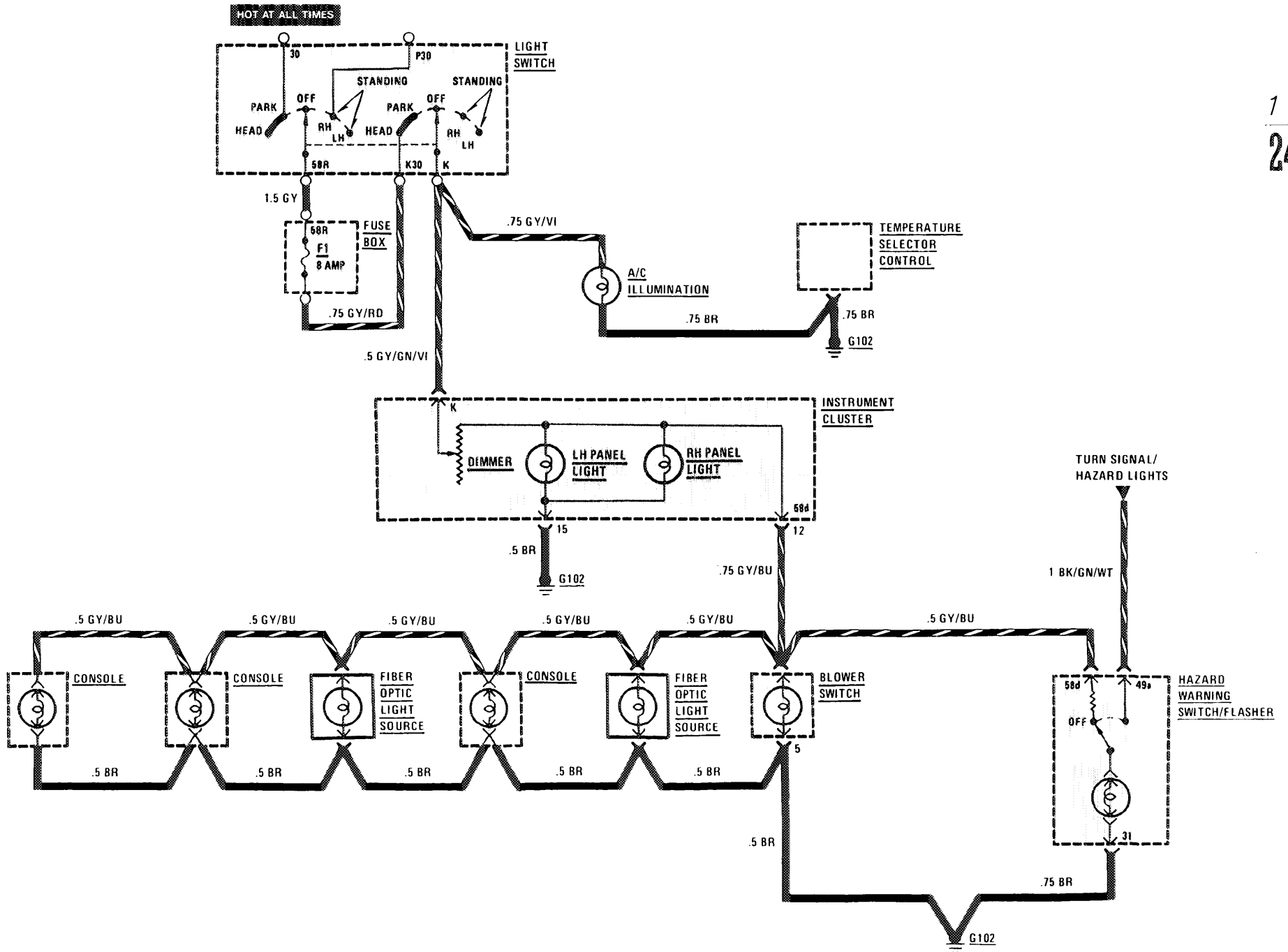
(For Component Locations See Page 202)

116
240
D



CENTER CONSOLE ILLUMINATION

(For Component Locations See Page 201)

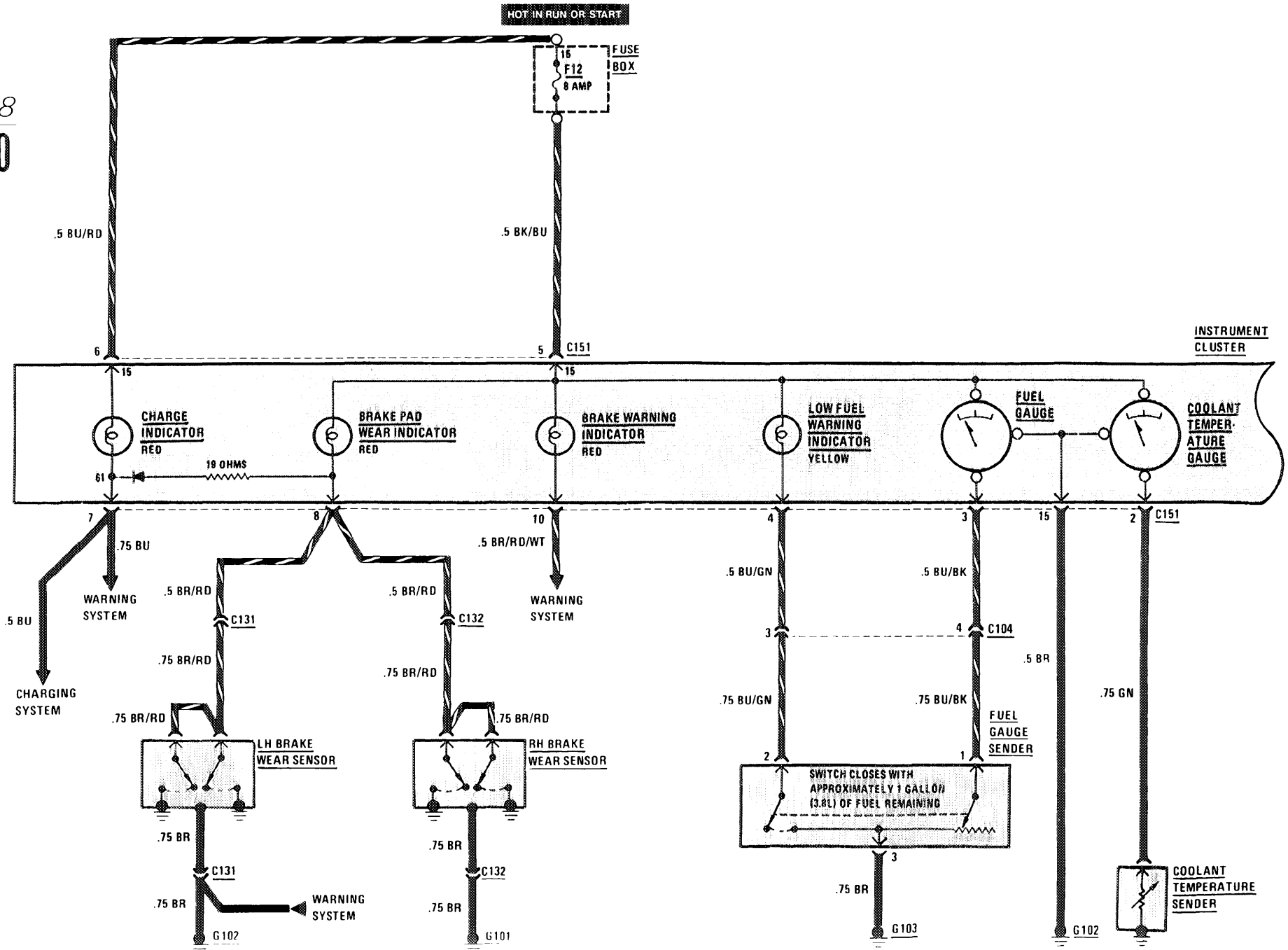


117
240
D

WARNING INDICATORS/GAUGES/CLOCK/ INSTRUMENT CLUSTER ILLUMINATION

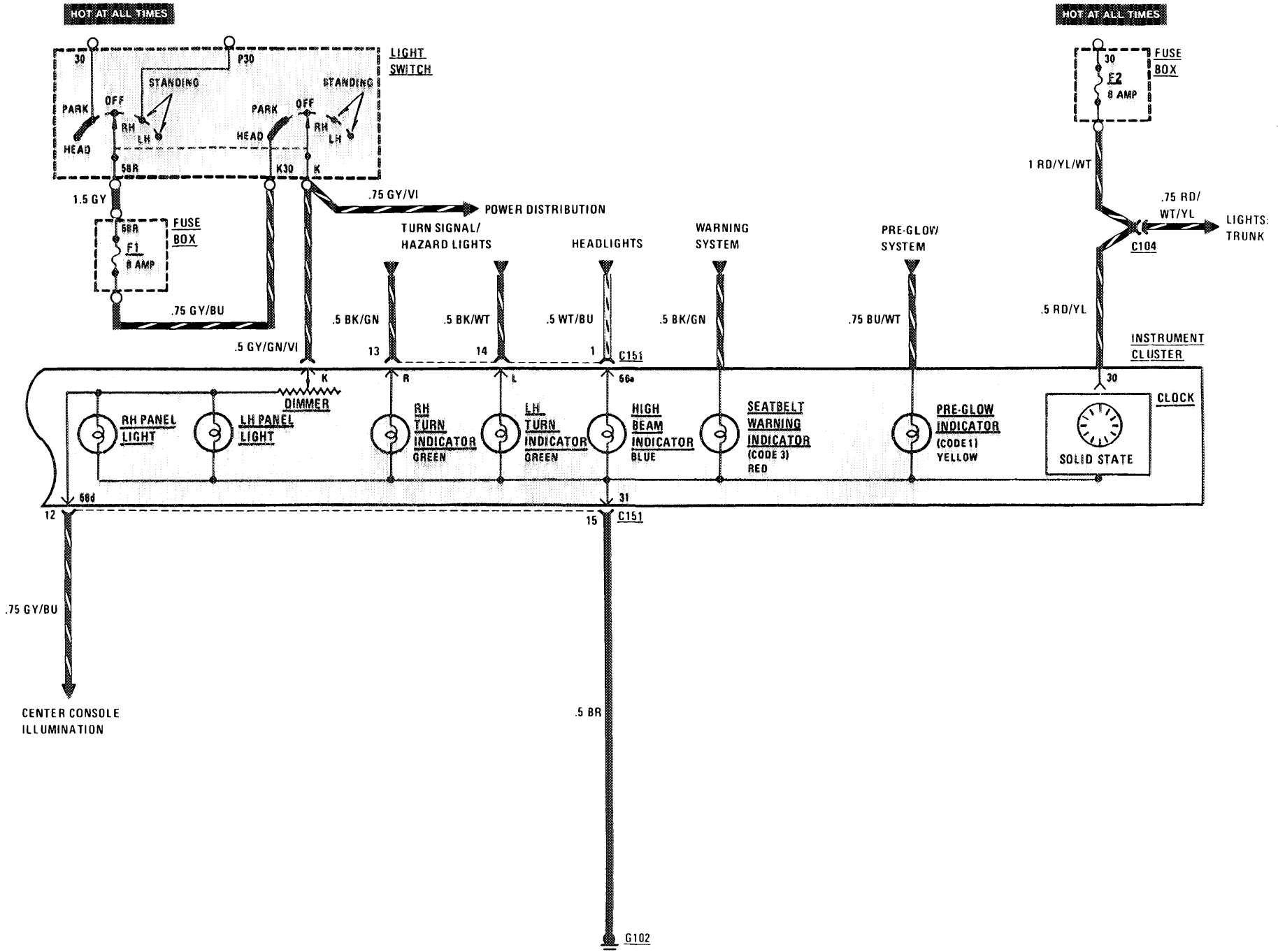
(For Component Locations See Page 206)

118
240
0



WARNING INDICATORS/GAUGES/CLOCK/INSTRUMENT CLUSTER ILLUMINATION

(For Component Locations See Page 206)



119

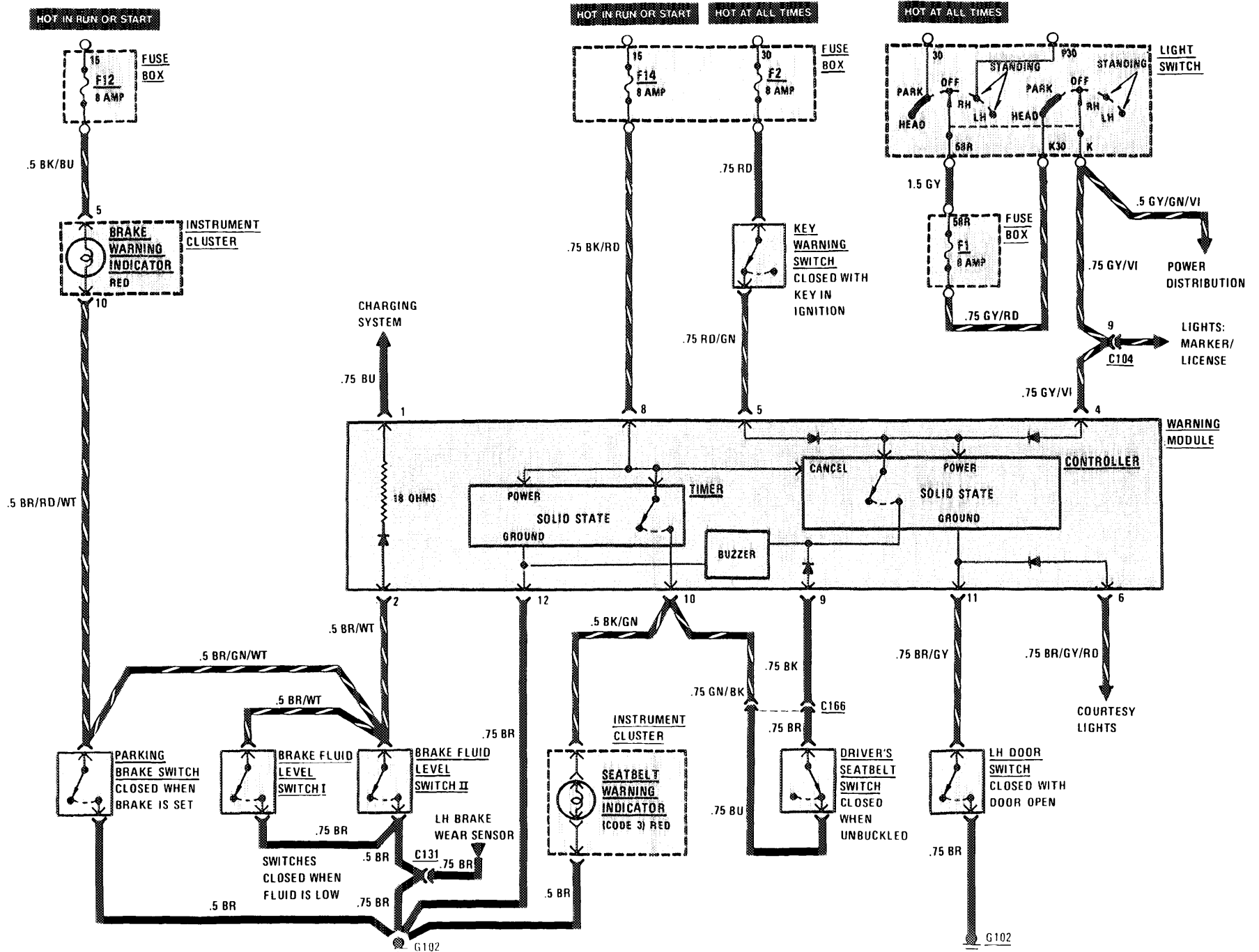
240

D

WARNING SYSTEM

(For Component Locations See Page 206)

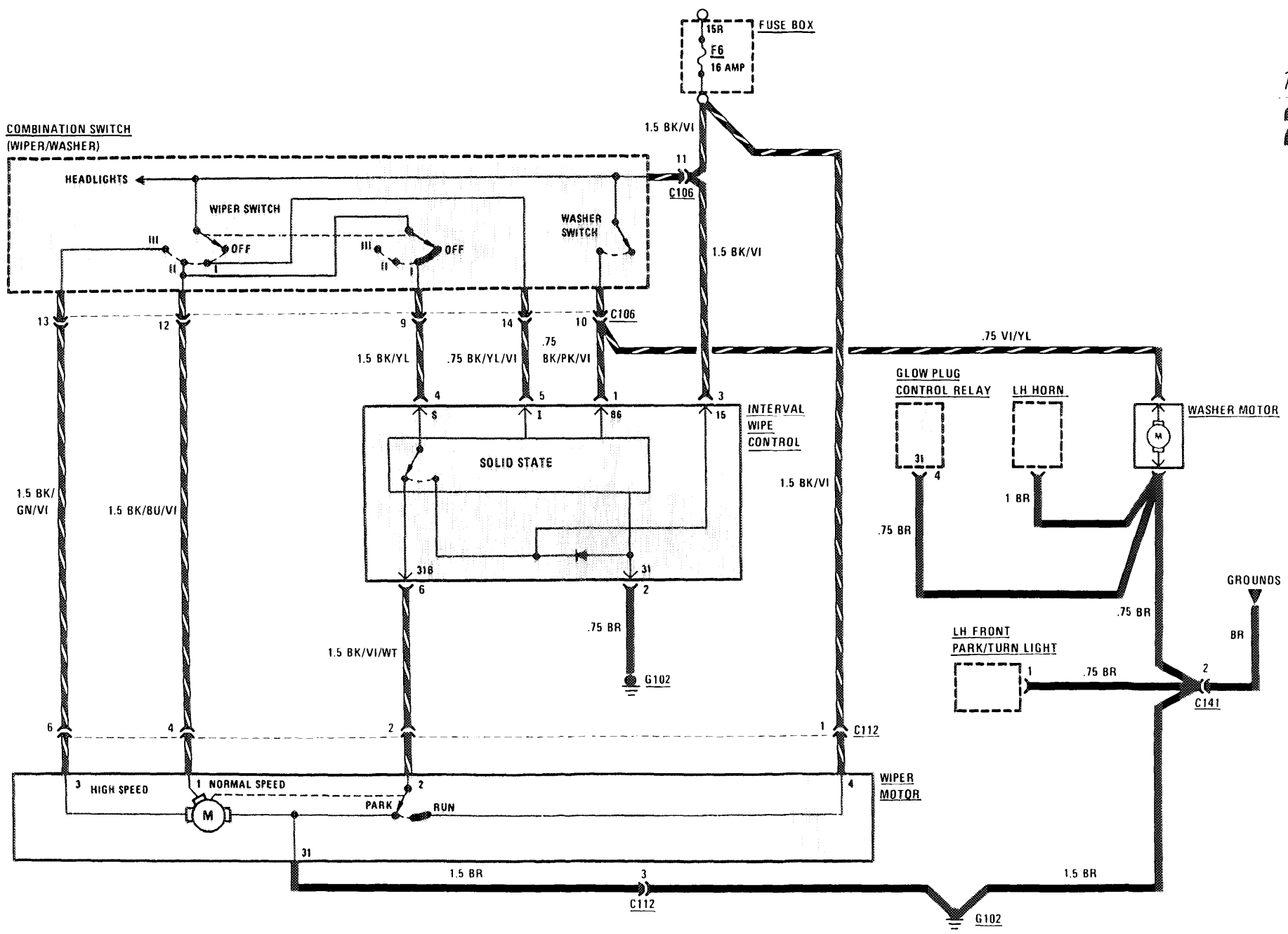
120
240
0



WIPER/WASHER

(For Component Locations See Page 206)

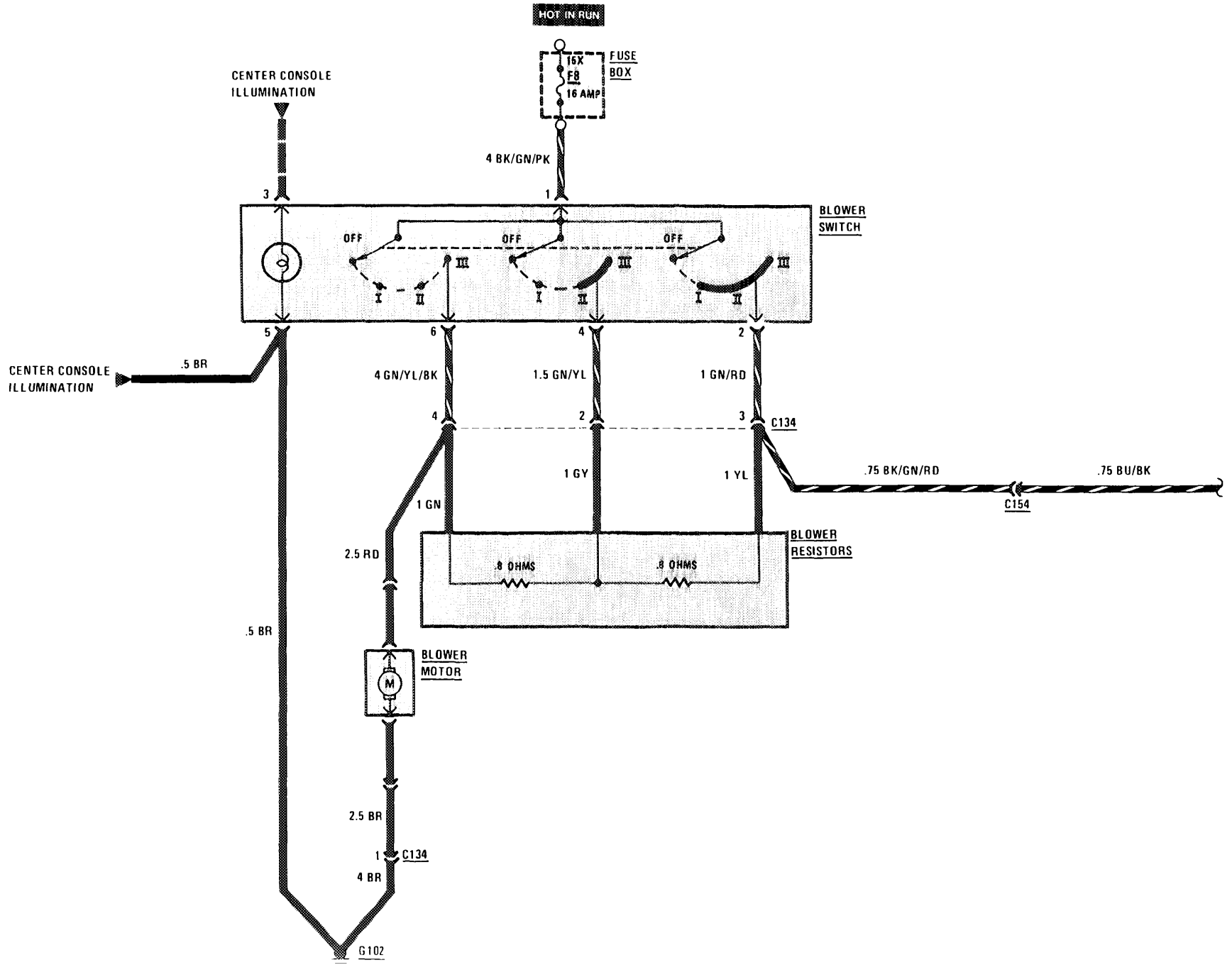
HOT IN ACCY. RUN OR START



121
240
D

AIR CONDITIONING/HEATER/AUXILIARY FAN

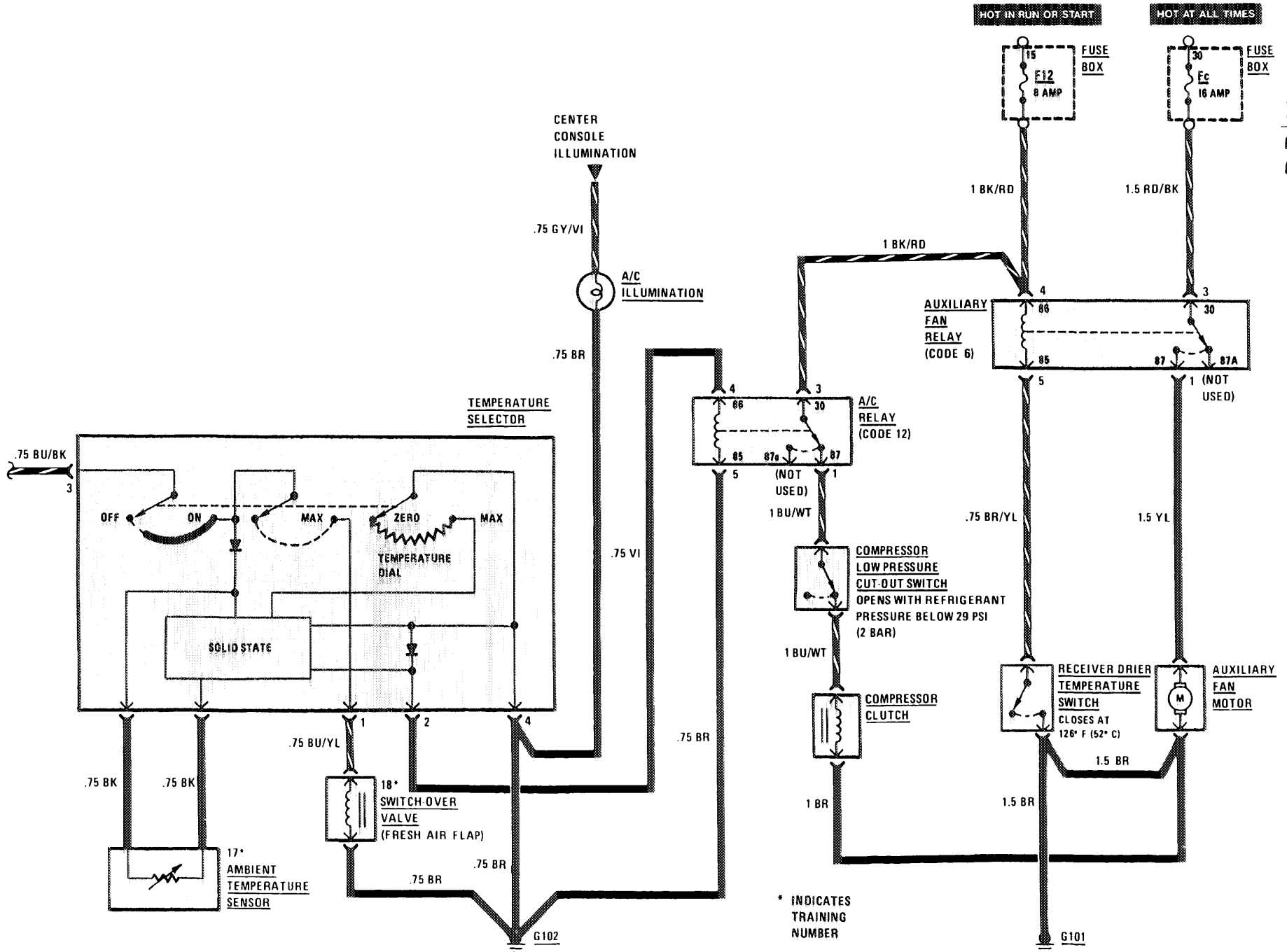
(For Component Locations See Page 201)



122
240
0

AIR CONDITIONING/HEATER/AUXILIARY FAN

(For Component Locations See Page 201)

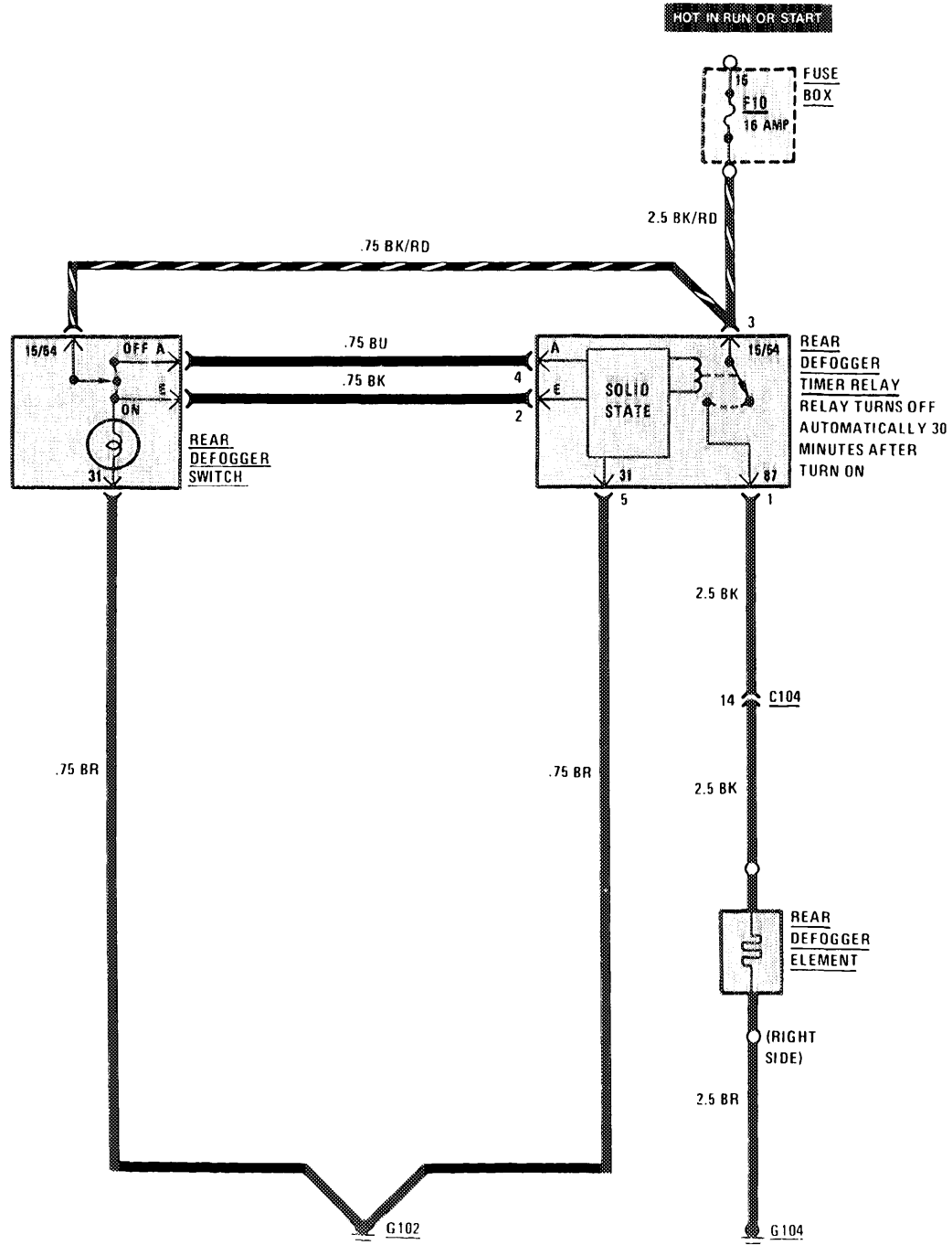


REAR DEFOGGER

(For Component Locations See Page 204)

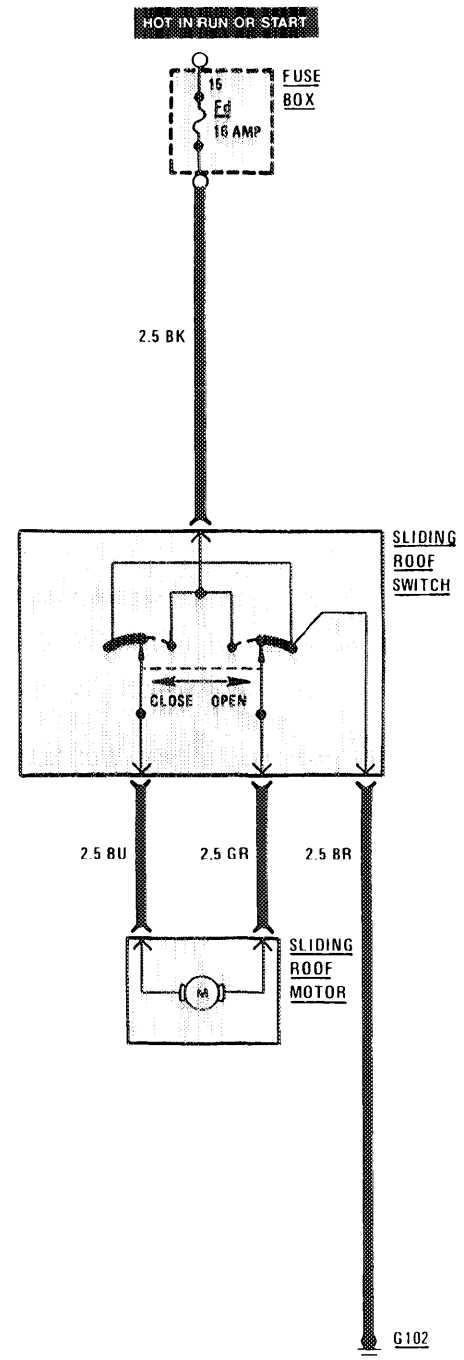
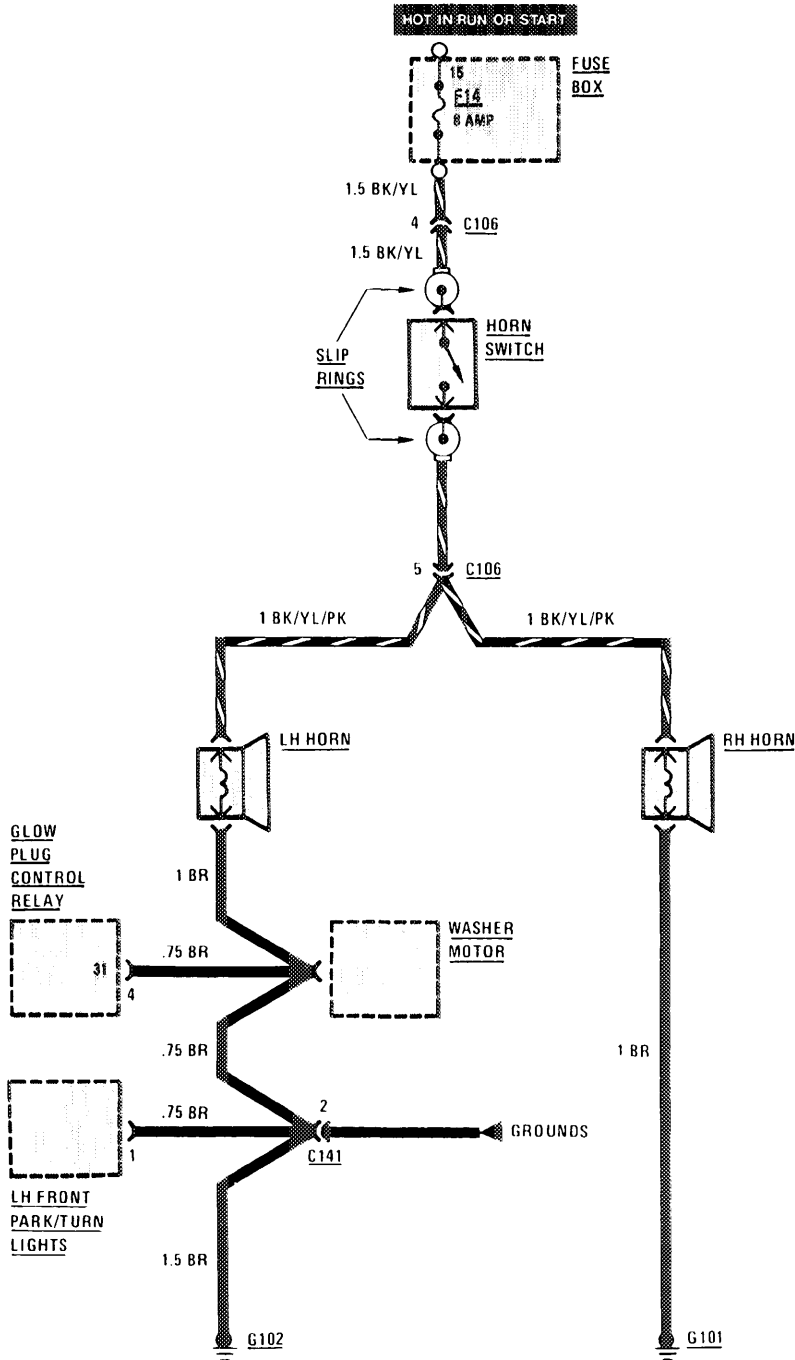
124

240
0



HORNS/SLIDING ROOF

(For Component Locations See Page 203)

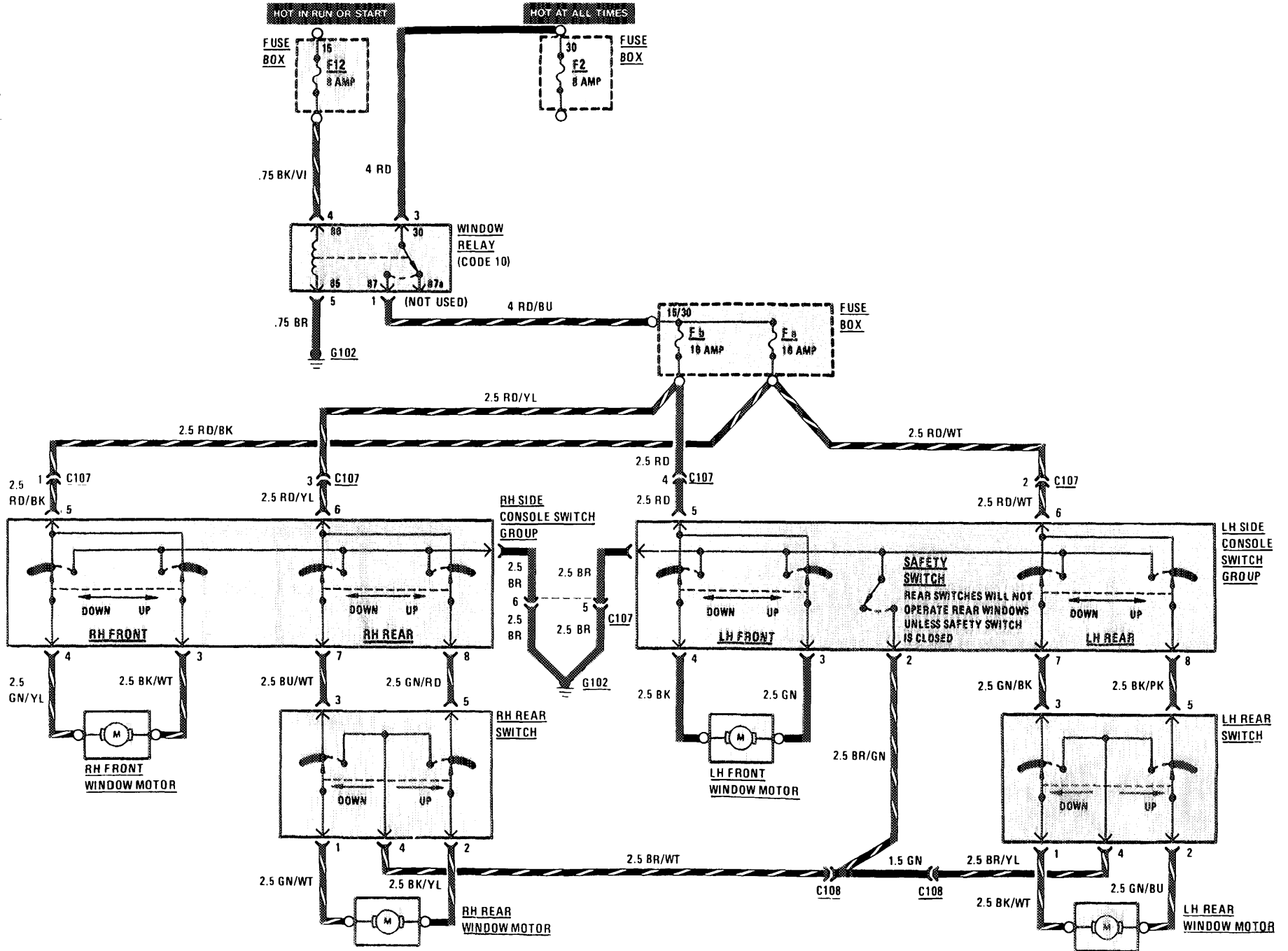


125
240
0

POWER WINDOWS

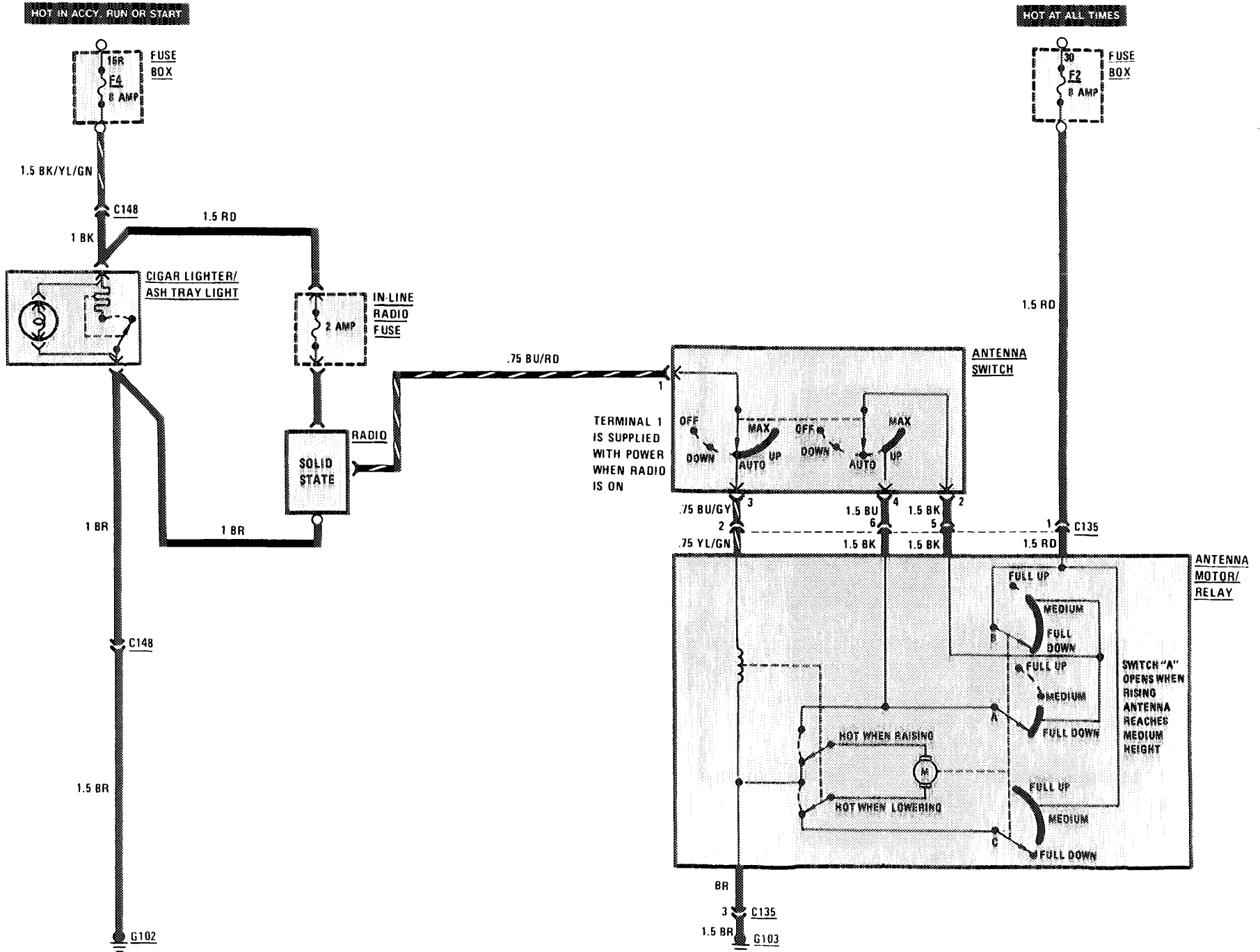
(For Component Locations See Page 204)

126
240
0



CIGAR LIGHTER/RADIO/AUTOMATIC ANTENNA

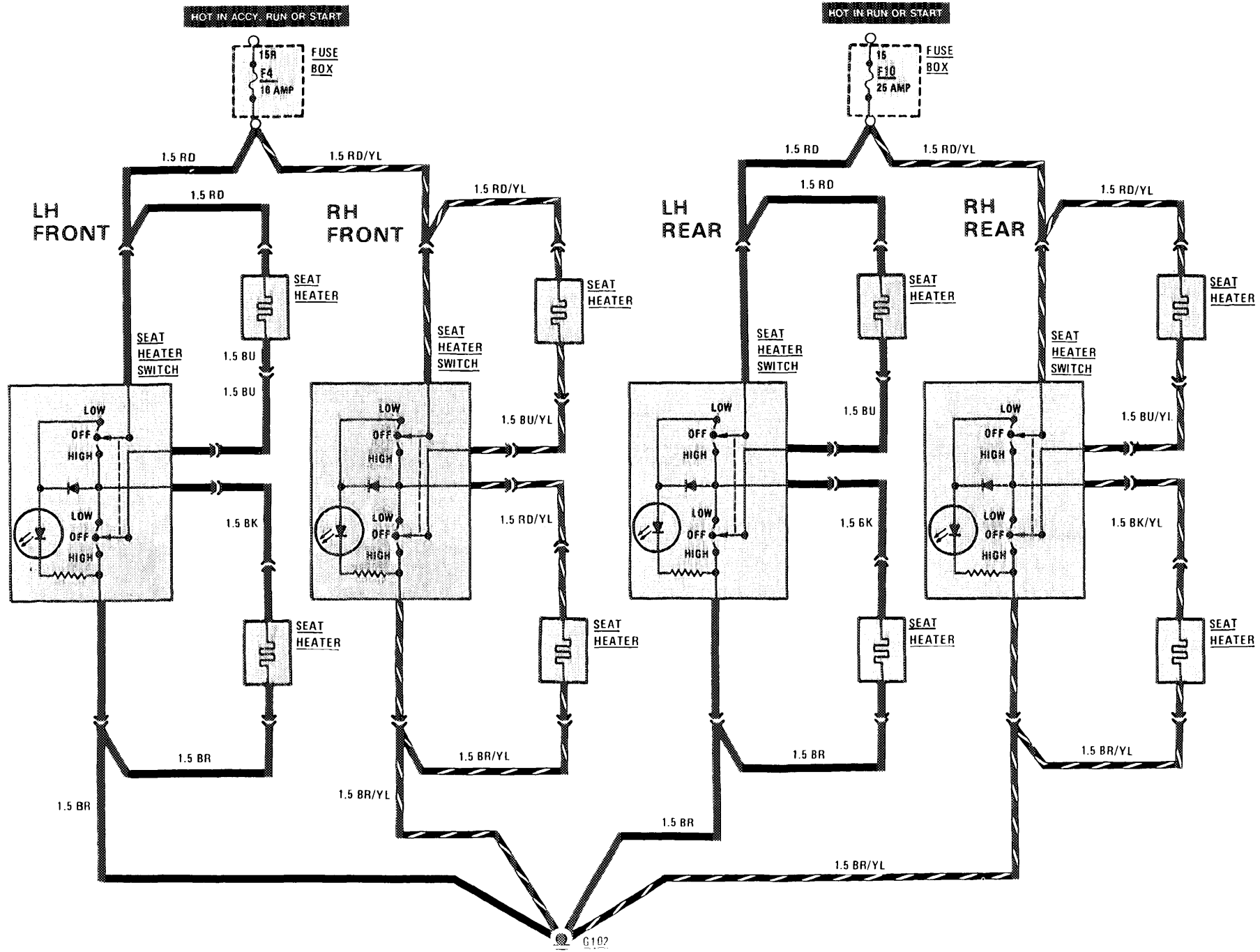
(For Component Locations See Page 202)



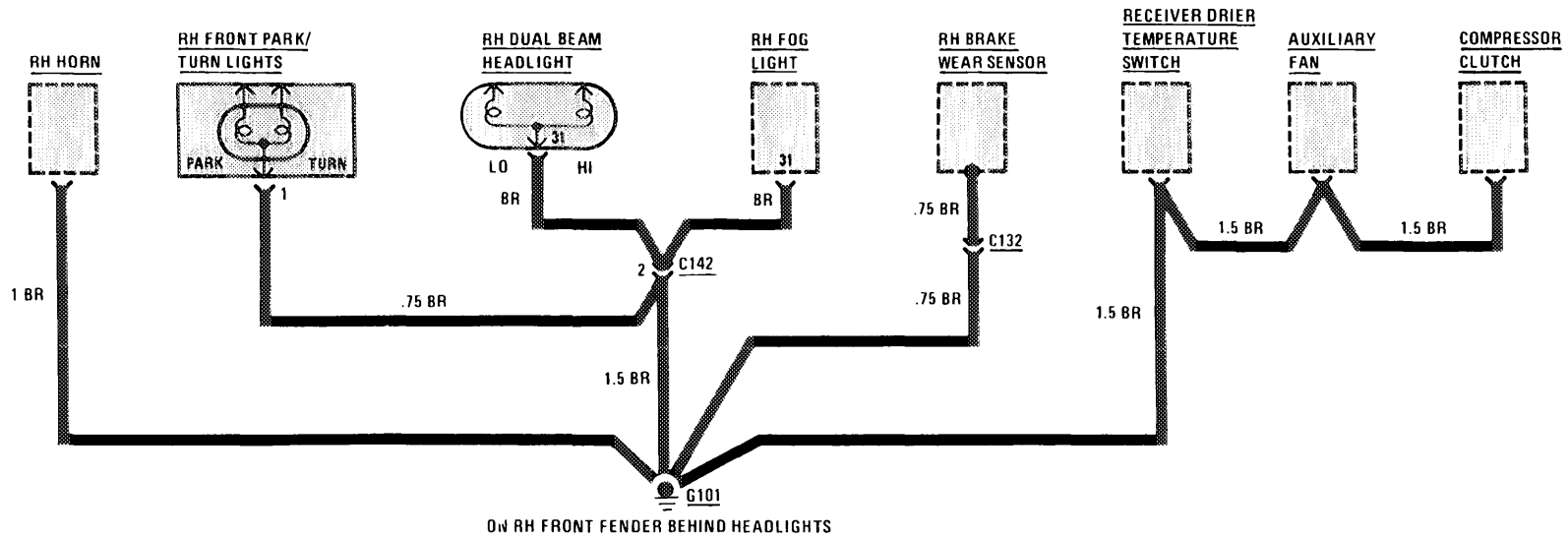
HEATED SEATS

(For Component Locations See Page 203)

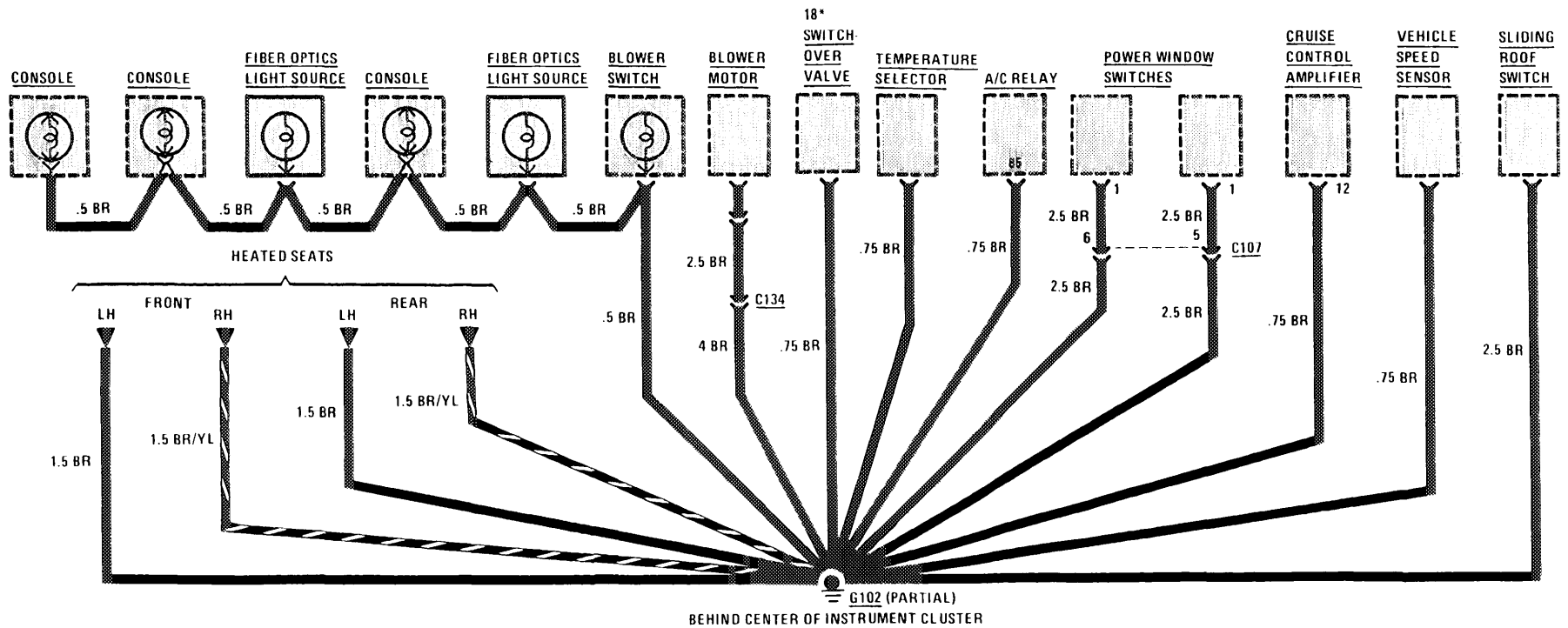
128
240
0



GROUND DISTRIBUTION

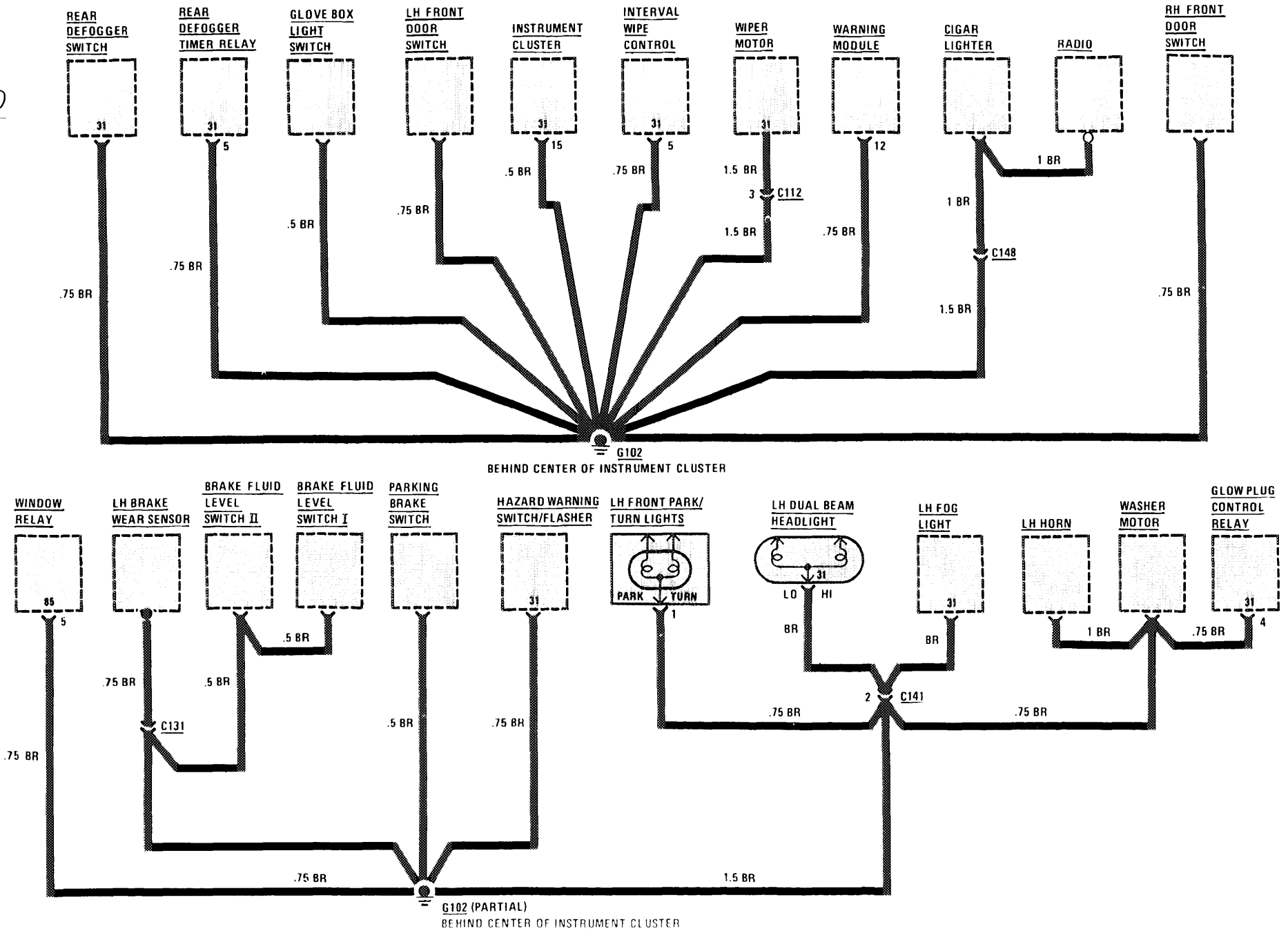


129
 240
 0

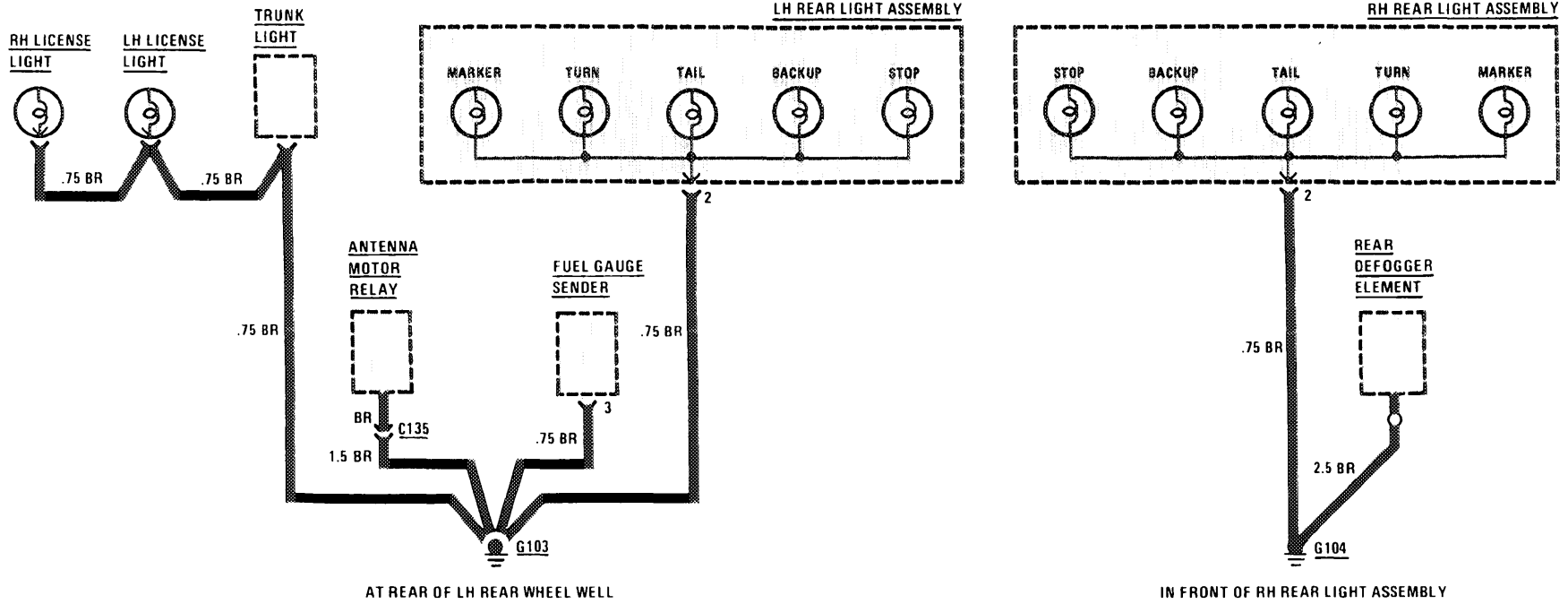


GROUND DISTRIBUTION

130
240
0



GROUND DISTRIBUTION



131
240
0