



00-212 Removal and installation of rear engine mount

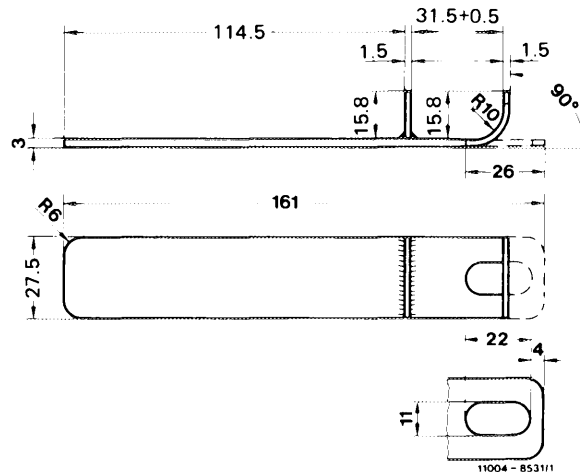
Tightening torques	Nm	(kpm)
Bolts for engine mounts on engine bearer	30	(3)
Adjusting screw for engine mount (type 123.1)	40	(4)
Adjusting screw for engine mount (type 115.1)	30	(3)

Special tools

Torque wrench handle 20-100 Nm (2-10 kpm)		001 589 35 21 00
Torque wrench handle 50-200 Nm (5-20 kpm)		001 589 44 21 00
Attachable ratchet, 1/2" drive for torque wrench handle		001 589 42 09 00

Shop-made tool

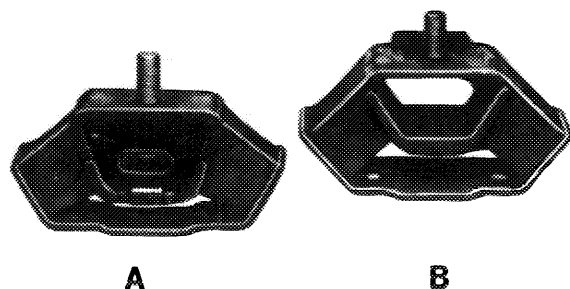
Gauge to adjust front engine stop (type 123.1)



A. Type 115.1

Note

For types 115.110 and 115.115, the engine mount has a stop. This engine mount was also used in type 115.114 for a certain amount of time.

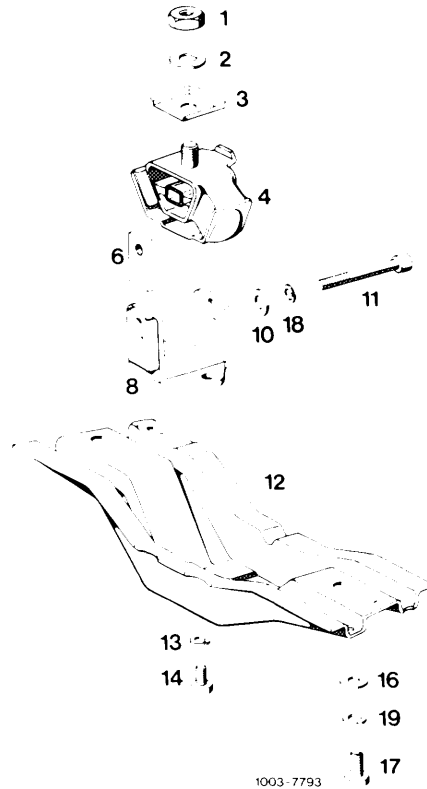


- A Engine mount with stop
- B Engine mount without stop

100-13193

Removal

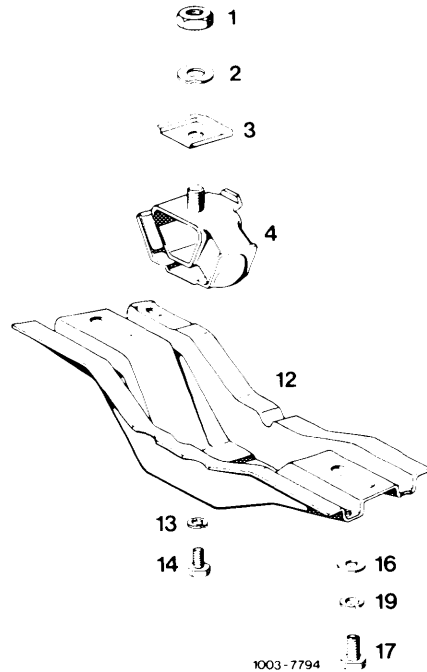
- 1 Unscrew nut (1).
- 2 For types 115.110 and 115.115, release adjusting screw (11).
- 3 Release support on transmission bracket at exhaust side.
- 4 Unscrew bolts (14).



Types 115.110 and 115.115

- | | |
|-----------------------------|---------------------|
| 1 Nut M 12 x 1.5 | 12 Engine bearer |
| 2 Spring washer B 12 | 13 Lock washer B 10 |
| 3 Supporting plate | 14 Bolt M 8 x 12 |
| 4 Engine mount | 16 Washer |
| 6 Threaded plate | 17 Bolt M 10 x 25 |
| 8 Bracket | 18 Lock washer |
| 10 Washer | 19 Lock washer B 10 |
| 11 Adjusting screw M 8 x 75 | |

- 5 Positioning inspection pit lift against intermediate flange, force transmission upward and withdraw engine mount (4) or engine mount (4) with bracket (8).
- 6 For types 115.110 and 115.115, remove adjusting screw (11) and take engine mount out of bracket.



Types 115.114 and 115.117

- | | |
|----------------------|---------------------|
| 1 Nut M 12 x 1.5 | 13 Lock washer B 10 |
| 2 Spring washer B 12 | 14 Bolt M 8 x 12 |
| 3 Supporting plate | 16 Washer |
| 4 Engine mount | 17 Bolt M 10 x 25 |
| 12 Engine bearer | 19 Lock washer B 10 |

Installation

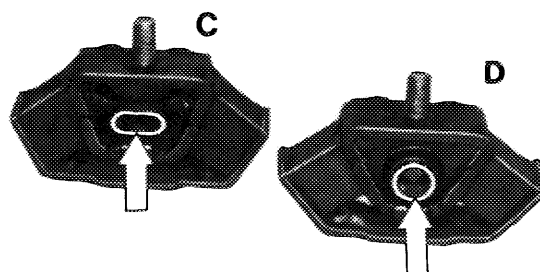
- 7 Position new engine mount in bracket (8) or on engine bearer (12)
 - 8 Insert adjusting screw (11).
- Caution:**
Do not tighten adjusting screw (11).
- 9 Insert engine mount with bracket.
 - 10 Lower transmission.
 - 11 Position bolts (14) and torque to 30 Nm (3 kpm).
 - 12 Screw nut (1) on, torquing to 70 Nm (7 kpm).
 - 13 For types 115.110 and 115.115, move engine by rocking gently from side to side with your hands.
 - 14 Tighten adjusting screw (11) to 30 Nm (3 kpm).
 - 15 Tighten support at exhaust side.

B. Type 123.1

Note

In types 123.102/103/120/123/125/126/183 with manual transmissions, the engine mount (C) with the oval pipe (arrow) was replaced by an engine mount (D) with a round pipe (arrow), starting at the end chassis Nos. indicated below.

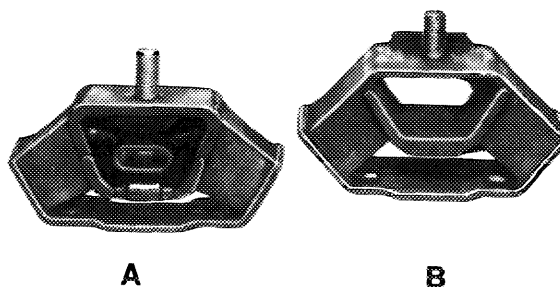
- C Engine mount with oval pipe
D Engine mount with round pipe



100-13100

Vehicles with manual transmissions which have engine mount (C) and are brought in on account of vibrations (stuttering) can be retrofitted with the engine mount (D) with the round pipe as per part No. 123 240 20 18. This engine mount must not be used in vehicles featuring automatic transmissions.

Types 123.105/130/132/150/190 with manual transmissions and engine shock absorbers feature engine mounts without stops (B).



100-13193

Use of engine mount with round pipe

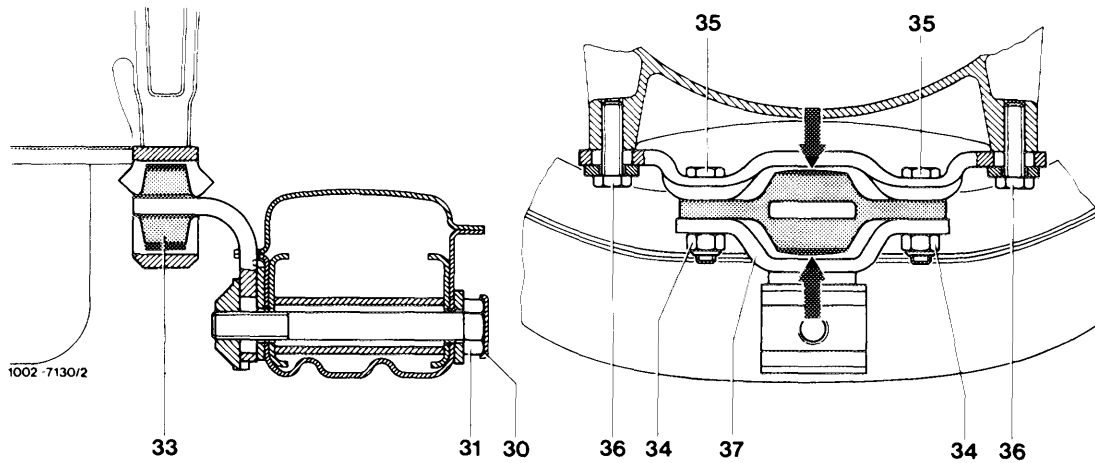
Type	End chassis No.
123.120	077681
123.102/103/123/125	050513
123.126	030647
123.183	Series introduction

Removal

- 1 Turn steering to full left or right lock.
- 2 Lift up retainer (30) at front engine stop and swing away to one side.
Release adjusting screw (31).

Caution:

Types 123.105/130/132/150/190 with two engine shock absorbers do not have an engine stop.



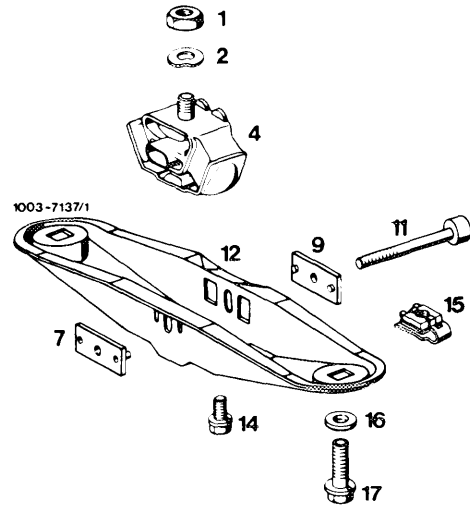
- 3 Release support on transmission bracket at exhaust side.
- 4 Unscrew nut (1).
- 5 Release adjusting screw (11).
- 6 Unscrew bolts (14).
- 7 On models with automatic transmissions, force transmission upward by applying inspection pit lift against intermediate flange.

8 On models with manual transmissions, support transmission on inspection pit lift and unscrew engine bearer (12).

9 Remove adjusting screw (11) and take engine mount (4) out of bracket or engine bearer.

1st version, types 123.102/103/120/123/125/126/183 with manual transmissions

- | | |
|-----------------------------|-------------------|
| 1 Nut M 12 x 1.5 | 12 Engine bearer |
| 2 Spring washer B 12 | 14 Screw assembly |
| 4 Engine mount | 15 Cage nut |
| 7 Threaded plate | 16 Washer |
| 9 Plate | 17 Screw assembly |
| 11 Adjusting screw M 8 x 72 | |

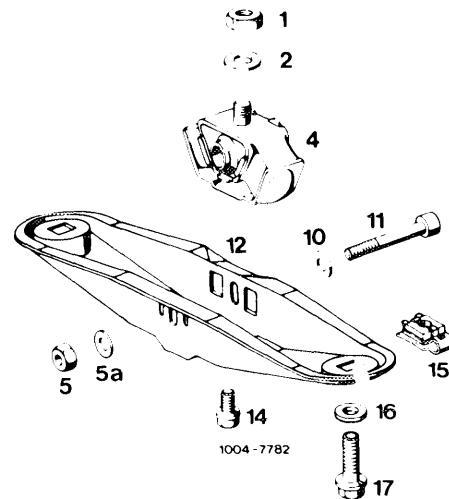


Installation

10 Place new engine mount in bracket (8) or in engine bearer (12).

2nd version, types 123.102/103/120/123/125/126/183 with manual transmissions

- | | |
|----------------------|-----------------------------|
| 1 Nut M 12 x 1.5 | 11 Adjusting screw M 8 x 75 |
| 2 Spring washer B 12 | 12 Engine bearer |
| 4 Engine mount | 14 Screw assembly |
| 5 Nut M 8 | 15 Cage nut |
| 5a Washer | 16 Washer |
| 10 Washer | 17 Screw assembly |



11 Insert adjusting screw (11).

Caution:

Do not tighten adjusting screw (11).

12 On models with automatic transmissions, insert engine mount with bracket.

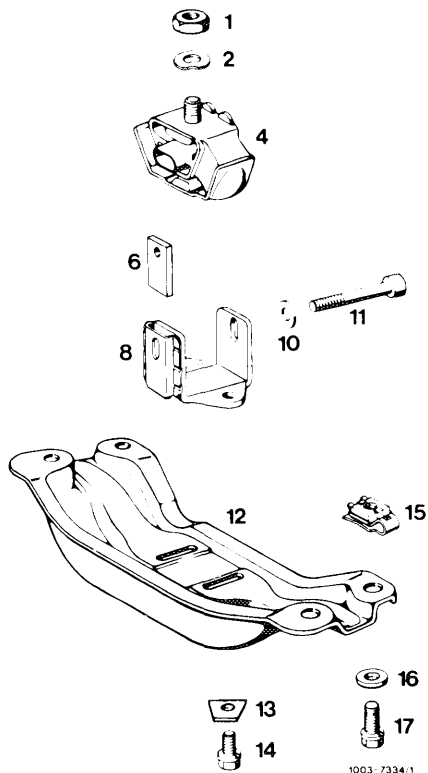
13 On models with manual transmissions, attach engine bearer with engine mount but do not tighten bolts.

14 Lower transmission.

15 On models with manual transmissions, tighten engine bearer.

16 Position bolts (14) and torque to 30 Nm (3 kpm).

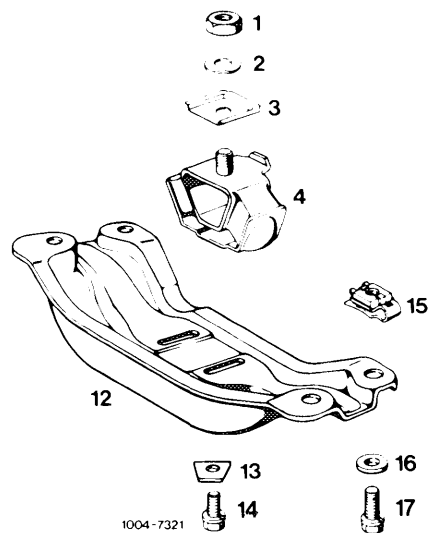
17 Screw nut (1) on, torquing to 70 Nm (7 kpm).



All types with automatic transmissions and types 123.105/130 with manual transmissions but without engine shock absorbers.

- | | |
|----------------------|-----------------------------|
| 1 Nut M 12 x 1.5 | 11 Adjusting screw M 8 x 75 |
| 2 Spring washer B 12 | 12 Engine bearer |
| 4 Engine mount | 13 Washer |
| 6 Threaded plate | 14 Screw assembly |
| 8 Bracket | 15 Cage nut |
| 10 Washer | 16 Washer |
| | 17 Screw assembly |

18 Adjust engine stop (00–220).



Types 123.105/130/132/150/190 with manual transmissions and engine shock absorbers

- | | |
|----------------------|-------------------|
| 1 Nut M 12 x 1.5 | 13 Washer |
| 2 Spring washer B 12 | 14 Screw assembly |
| 3 Supporting plate | 15 Cage nut |
| 4 Engine mount | 16 Washer |
| 12 Engine bearer | 17 Screw assembly |