

## 00–215 Removal and installation of front engine stop

### Tightening torques

	Nm	(kpm)
Nut (32) for adjusting screw, type 115.1	90	(9)
Bolts (35), type 115.1	20	(2)
Adjusting screw (31), type 123.1	130	(13)
Bolts (35), type 123.1	30	(3)

### Special tools

Torque wrench handle 20–100 Nm (2–10 kpm)



001 589 35 21 00

Torque wrench handle 50–200 Nm (5–20 kpm)

001 589 44 21 00

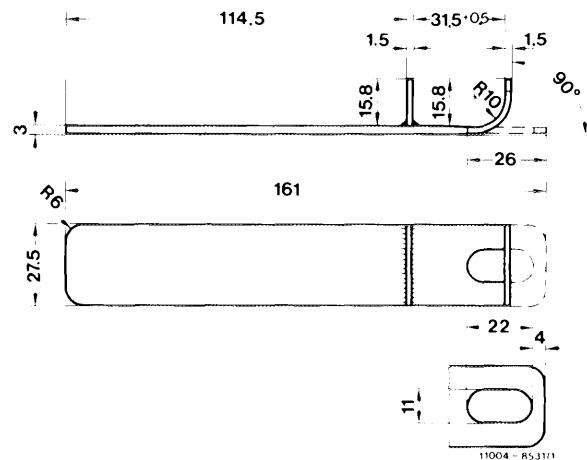
Attachable ratchet, 1/2" drive for torque wrench handle



001 589 42 09 00

### Shop-made tool

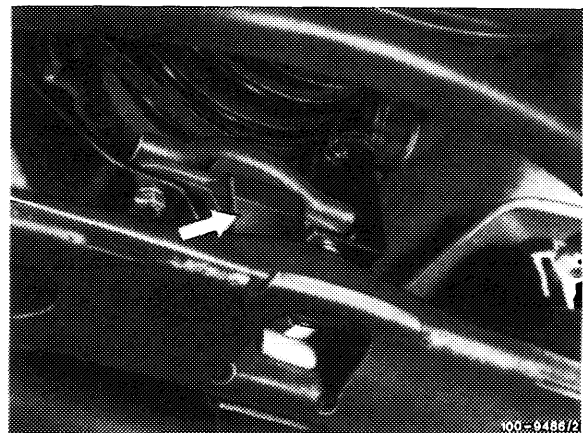
Gauge to adjust front engine stop (type 123.1)



### A. Engine 615 in type 115.1

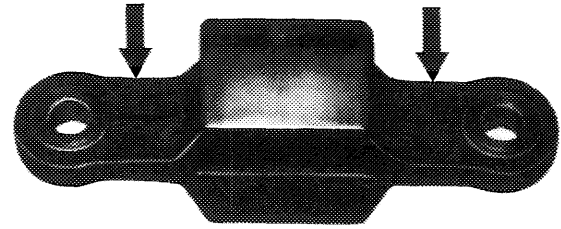
#### Note

On engine model 615 in type 115.1, the engine stop is attached to the end of the engine; on engine models 615, 616, 617 in type 123.1, the stop is positioned beneath the engine between the oil pan and cross-member.



Engine stops with porous or cracked fastening arms (arrows) are to be exchanged.

This will also apply if the vulcanized plastic pads are found to be worn out.

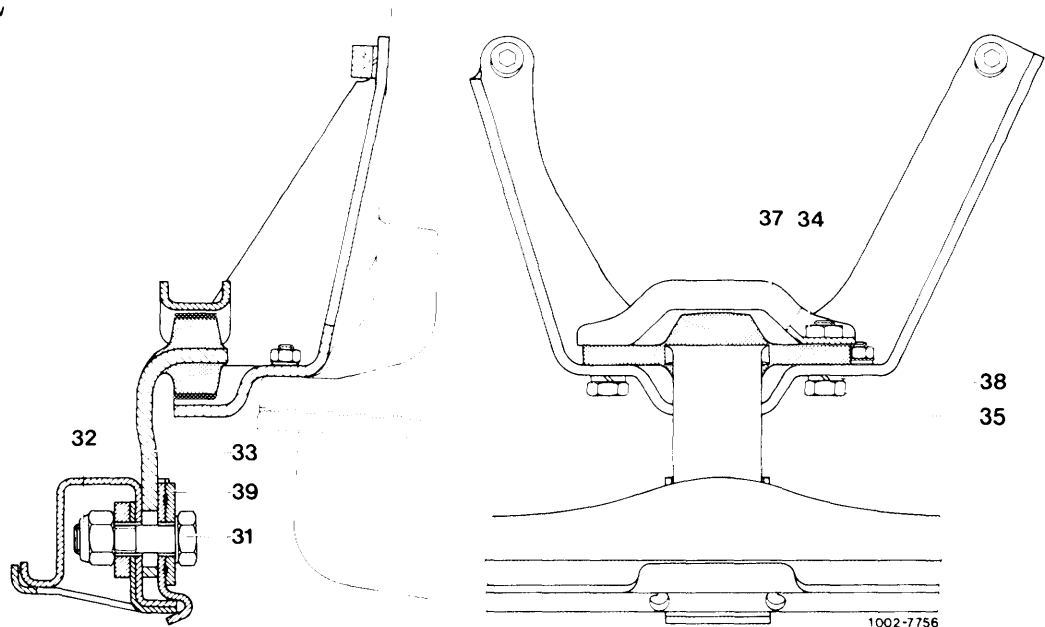


100-14441

## Removal

- 1 Unscrew nut (32) and withdraw adjusting screw (31).
- 2 Remove plate (39).
- 3 Unscrew nuts (34) and withdraw bolts (35).
- 4 Remove engine stop (33) and strap (37).

- 31 Adjusting screw
- 32 Nut M 12 x 1.5
- 33 Engine stop
- 34 Nut M 8
- 35 Bolt M 8 x 25
- 37 Strap
- 38 Lock washer
- 39 Plate



1002-7756

## Installation

---

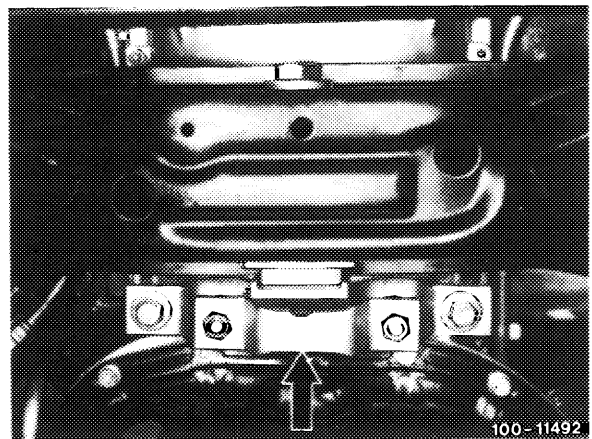
- 5 Insert engine stop (33) and place strap (37) in position.
- 6 Insert bolts (35) and screw nuts on.
- 7 Insert plate (39) and adjusting screw (31).
- 8 Screw nut (32) on but do not tighten.
- 9 Adjust engine stop (00–220).
- 10 Tighten bolts (35) and nut (32) to correct torque setting.

## B. Type 123.1

### Note

---

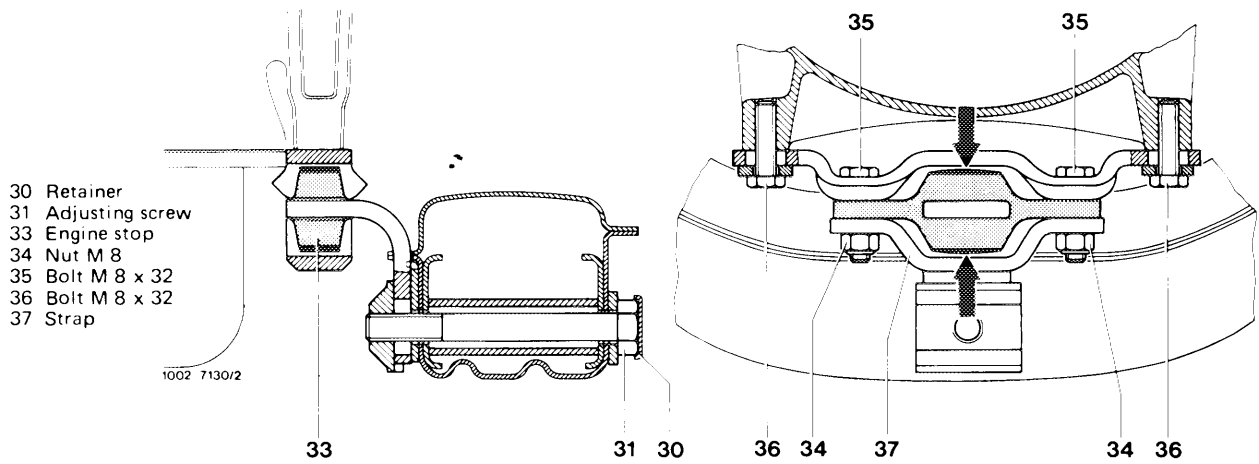
Engine model 617 with two engine shock absorbers does not have the engine stop.



## Removal

---

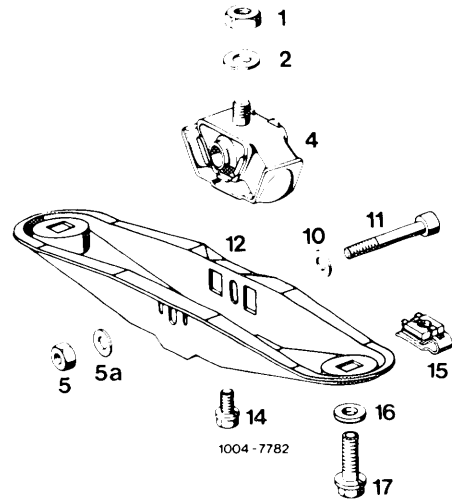
- 1 Turn steering to full left or right lock.
- 2 Lift up retainer (30) at front engine stop and swing away to one side. Remove adjusting screw (31).
- 3 Unscrew nuts (34).
- 4 Remove engine stop (33) with strap (37).



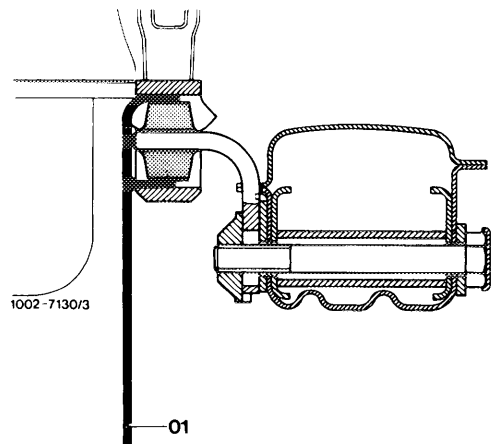
- 30 Retainer
- 31 Adjusting screw
- 33 Engine stop
- 34 Nut M 8
- 35 Bolt M 8 x 32
- 36 Bolt M 8 x 32
- 37 Strap

**Installation**

- 5 Place engine stop (33) and strap (37) in position.
- 6 Insert bolts (35) and apply nuts (34).
- 7 If any, release adjusting screw (11) at rear engine mount.



- 8 Move engine by slightly rocking from side to side with your hands.
- 9 Position shop-made gauge (01) on front engine stop.
- 10 Tighten nuts (34) and adjusting screw (31) to correct torque setting.
- 11 Withdraw gauge.



- 12 Secure adjusting screw (31) with retainer (30).
- 13 Tighten adjusting screw (11) at rear engine mount.