

## 00–220 Adjustment of engine stop

Tightening torques		Nm	(kpm)
Nut (32) at front engine stop (reference value)	Type 115.1	90	(9)
Adjusting screw (31) at front engine stop	Type 123.1	130	(13)
	Type 123.1	40	(4)
Adjusting screw (11) at rear engine mount	Type 123.1	40	(4)
	Type 115.1	30	(3)

### Special tools

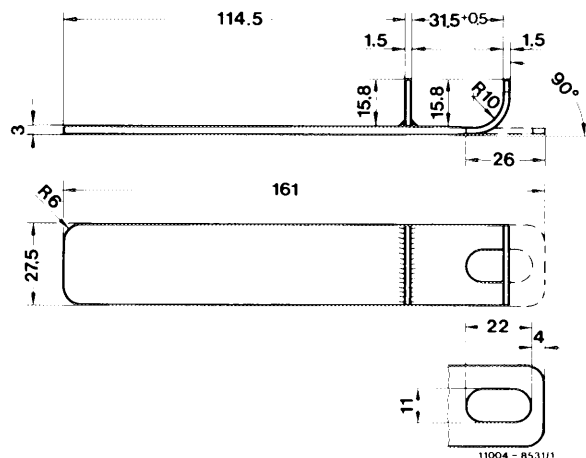
Torque wrench handle 20–100 Nm (2–10 kpm)  001 589 35 21 00

Torque wrench handle 50–200 Nm (5–20 kpm)  001 589 44 21 00

Attachable ratchet, 1/2" drive for torque wrench handle 001 589 42 09 00

### Shop-made tool

Gauge to adjust front engine stop (type 123.1)



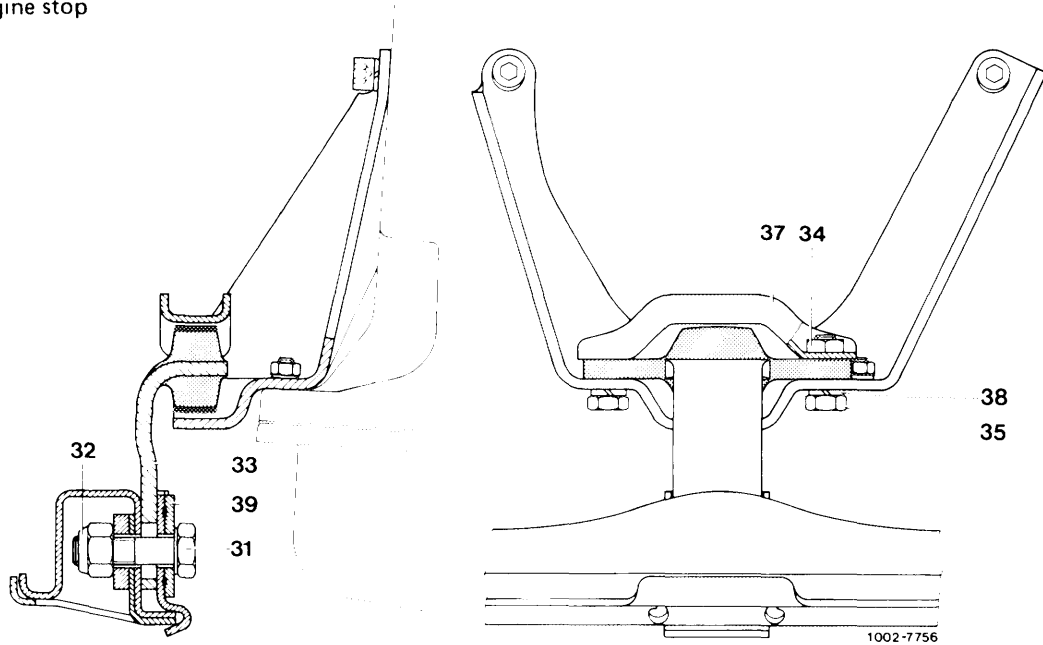
### A. Engine 615 in type 115.1

#### Note

Vehicle must be standing on its wheels, ready for the road.

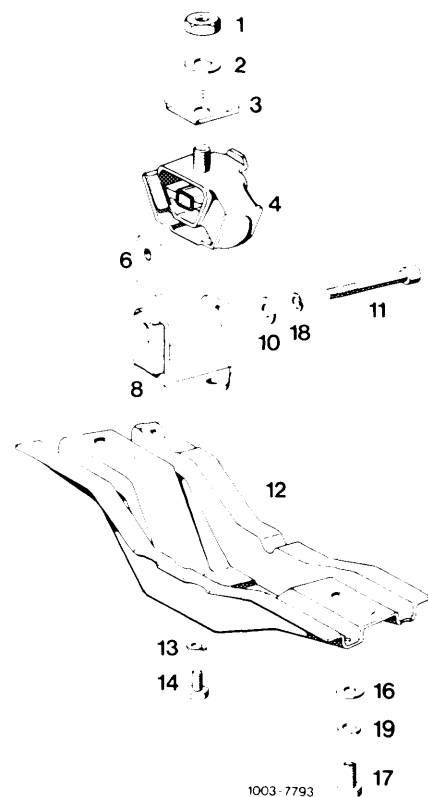
## Adjustment

### Front engine stop



- 1 On types 115.100/102/103/110/115, fully release nut (32) at front engine stop.
- 2 On all types (with the exception of types 115.105/107/108/114/117 with manual transmissions), fully release adjusting screw (11) at rear engine mount.
- 3 Move engine by slightly rocking from side to side with your hands.
- 4 Tighten adjusting screw (11) and nut (32) to correct torque setting.

**Note:** Nut (32) will not accept a torque wrench.



Rear engine mount with stop

## B. Type 123.1

### Note

---

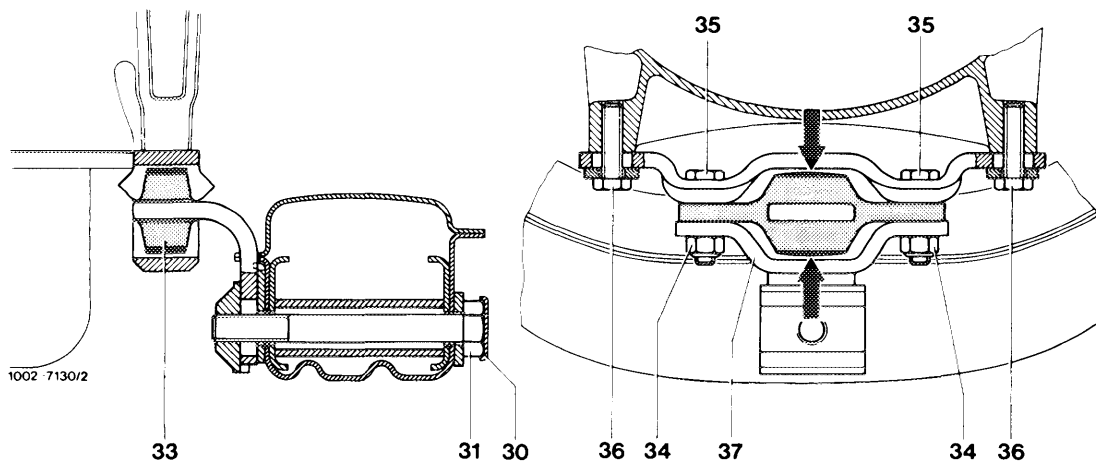
Vehicle must be standing on its wheels, ready for the road.

### Adjustment

---

**Note:** Types 123.105/130/132/150/190 with two engine shock absorbers do not have front engine stops.

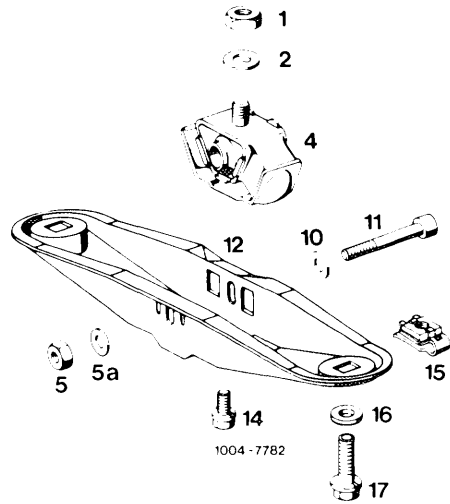
#### Front engine stop



- 1 Turn steering to full left or right lock.
- 2 Lift up retainer (30) at front engine stop and swing away to one side. Fully release adjusting screw (31).

3 Fully release adjusting screw (11) at rear engine mount.

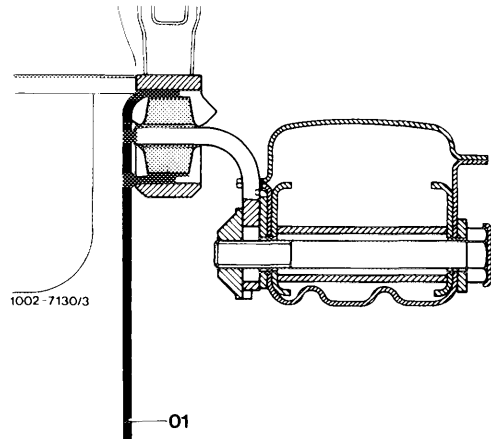
**Note:** In types 123.105/130/132/150/190 with manual transmissions and engine shock absorbers, the engine mount does not have a stop and therefore cannot be adjusted.



Rear engine mount with stop in models with manual transmissions

4 Move engine by slightly rocking from side to side with your hands.

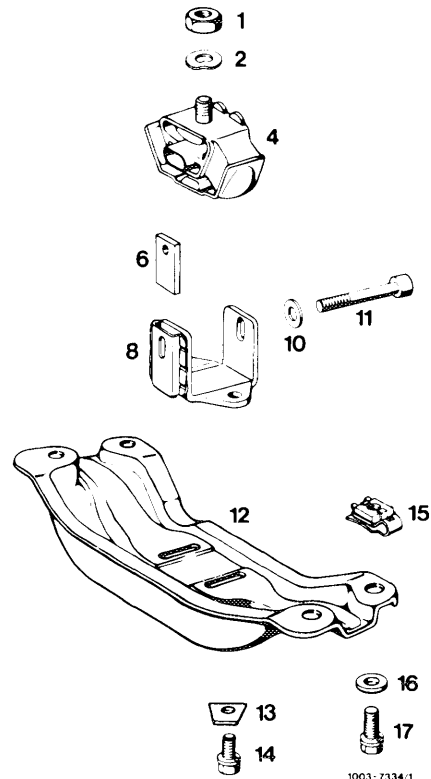
5 Position shop-made gauge (01) on front engine stop.



6 Tighten adjusting screws (31) and (11) to correct torque setting.

7 Withdraw gauge.

8 Secure adjusting screw (31) with retainer (30).



Rear engine mount with stop in models with automatic transmissions