

07.1–205 Displacing injection pump (after adjusting begin of delivery)

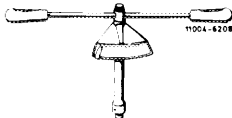
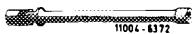


Test values

Engine	615.912/941	615.913/940	616, 617
Begin of delivery before TDC in compression stroke	24°	26°	24°

Tightening torques

Designation	Injection pump abbreviation	Engine	Nm
Pipe connection for pressure valve	M, M/RSF	615, 616, 617	35
	MW	616, 617	40–50
Injection line	M, MW, M/RSF	615, 616, 617	25

Special tools

Torque wrench 1/2" square, 15–65 Nm		000 589 27 21 00
Socket wrench insert 13 mm, 3/8" square		000 589 21 07 22
Overflow pipe		636 589 02 23 00
Box wrench insert open, 17 mm, 1/2" square for injection lines		000 589 68 03 00

Displacing

- 1 Remove and install injection pump (07.1–200).
- 2 Pull out injection pump and introduce in such a manner that the studs are in center of oblong holes (slots).
- 3 Adjust begin of delivery (07.1–115).