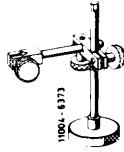


07.1–215 Replacing diaphragm of injection pump, adjusting compensating path (engine 615, 616 M-injection pump with pneumatic governor)

Special tool

Holder for dial gauge



116 589 12 21 00

Conventional tool

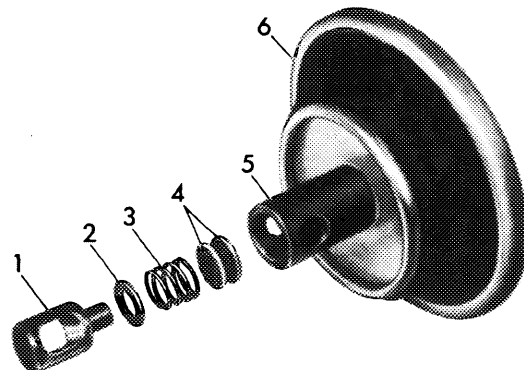
Dial gauge A 1 DIN 878

e.g. made by Mahr, D-7300 Esslingen
Order no. 810

Replacing diaphragm of injection pump

- 1 Disconnect connecting rod on tickler and start and stop cable control.
- 2 Unscrew governor cover and remove together with governor spring. Make sure that governor spring and the compensating washers are not falling out when removing governor cover.
- 3 Remove diaphragm by unscrewing large governor cover. Remove cotter pin with washer from control rod.
- 4 Remove diaphragm, while paying attention to installed parts 1–4.
- 5 Remove parts 1–4 from removed diaphragm and insert into new diaphragm.

- 1 Compensating bolt
- 2 Compensating washer for compensating spring preload
- 3 Compensating spring
- 4 Compensating washer for compensating path
- 5 Sleeve
- 6 Diaphragm

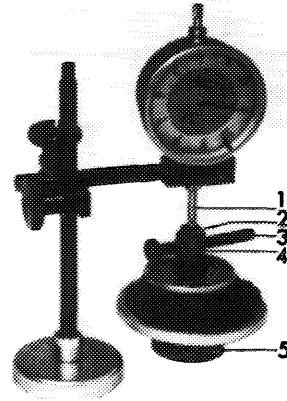


R-3107

Adjusting compensating path

6 Measure compensating path. For this purpose, insert hex screw M 6 (3) through diaphragm sleeve (4) and compensating bolt (2). Place diaphragm on a tubular base (5) with max 35 mm OD, min 22 mm ID and min 10 mm in length. Then position holder of dial gauge in such a manner that the feeler pin (1) rests on center of compensating bolt (2).

- 1 Feeler pin of dial gauge
- 2 Compensating bolt
- 3 Screw M 6
- 4 Diaphragm sleeve
- 5 Tubular base



807-10396

7 Set dial gauge under preload to zero, then push compensating bolt (2) down.

Engine	Nominal value
615.912	= 1.1 mm
615.913	= 1.2 mm
616	= 1.1 mm

If required, adjust compensating path by adding or removing compensating washer (4) (Fig. item 5).

8 For installation proceed vice versa.